

eclife BT-01

eclife 16.5" Brown Round Tempered Glass Vessel Sink Instruction Manual

Model: BT-01

1. PRODUCT OVERVIEW

The eclife 16.5" Brown Round Tempered Glass Vessel Sink is designed for modern bathrooms, offering an artistic and functional basin solution. This sink features durable tempered glass construction and is intended for above-counter installation. It comes as a complete set, including the sink, faucet, pop-up drain, and necessary hoses for a streamlined setup.

Key Features:

- 16.5" diameter brown round tempered glass basin.
- Durable and scratch-resistant tempered glass.
- Includes a 1.5 GPM water-saving faucet and pop-up drain.
- Designed for above-counter installation.
- Hand-painted artistic pattern, ensuring each sink is unique.



Figure 1: eclife 16.5" Brown Round Tempered Glass Vessel Sink.

2. PACKAGE CONTENTS

Verify that all components are present and undamaged before beginning installation.

- 1x Glass Vessel Sink
- 1x Faucet (Model EF-01 updated)
- 1x Pop-up Drain
- 2x Water Supply Lines (23-5/8" long, 9/16" connectors)
- 1x Zinc Alloy Mounting Ring
- Accessories & Manual

3. SPECIFICATIONS

Feature	Detail
Brand	eclife
Model Number	BT-01

Color	Brown Round
Material	Tempered Glass
Product Dimensions (D x W x H)	16.5"D x 16.5"W x 5.5"H
Item Weight	18.35 Pounds
Installation Type	Countertop
Drain Type	Pop-Up
Faucet Flow Rate	1.5 GPM (Water Save)
Faucet Material	Solid Brass Structure, Ceramic Valve

Eclife Faucet



Model:

EF-01(updated)

Material:

Solid Brass Structure
Ceramic Valve

Style:

Single Hole Faucet

Package

Paper Carton / Nylon Bag / PP Bag / Contained Within
Vesses Foam

Artifact:

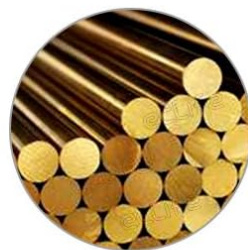
Full chrome surface.



1.5GPM Faucet
Aerators



Full Chrome Plated Surface



Solid Brass Structure



Ceramic Valve

Figure 2: Dimensional specifications for the sink and components.

4. SETUP AND INSTALLATION

This vessel sink is designed for above-counter installation. Professional installation is recommended to

ensure proper plumbing connections and prevent leaks. If replacing a standard sink with a vessel sink, plumbing height adjustments may be necessary.

4.1 Pre-Installation Checklist

- Ensure all package contents are present and undamaged.
- Turn off the main water supply to the bathroom.
- Clear the installation area and ensure adequate workspace.
- Gather necessary tools (e.g., wrench, sealant, drill, safety glasses).

4.2 Installation Steps (General Guide)

1. **Prepare Countertop:** If installing on a new countertop, drill the necessary holes for the drain and faucet according to the provided template (if applicable) and standard plumbing requirements. For existing countertops, ensure existing holes align or modify as needed.
2. **Install Faucet:** Secure the faucet to the countertop using the provided mounting hardware. Connect the hot and cold water supply lines (9/16" connectors, 23-5/8" long hoses) to the faucet and then to the corresponding water valves.
3. **Install Drain:** Place the pop-up drain assembly into the drain hole of the sink. Apply plumber's putty or silicone sealant around the drain flange to create a watertight seal. Secure the drain from underneath the countertop with the provided nuts and washers.
4. **Position Sink:** Place the zinc alloy mounting ring on the countertop around the drain hole. Carefully set the glass vessel sink onto the mounting ring, ensuring it is centered and stable.
5. **Seal Sink:** Apply a bead of silicone sealant around the base of the sink where it meets the countertop to secure it and prevent water from seeping underneath. Allow the sealant to cure as per manufacturer instructions.
6. **Test Connections:** Once all connections are secure and sealant has cured, slowly turn on the main water supply. Check for any leaks at the faucet and drain connections.

Note: Each sink is unique due to hand-painting, which may result in slight color or pattern variations from product images.

5. OPERATING INSTRUCTIONS

The eclife vessel sink system is designed for straightforward operation.

5.1 Faucet Operation

- **Water Flow:** Lift the faucet handle to turn on the water flow.
- **Temperature Control:** Move the handle left for hot water and right for cold water. Adjust the handle position to achieve the desired water temperature.
- **Water Shut-off:** Push the handle down to turn off the water flow.



MATERIAL

Tempered Glass

INSTALLATION

Countertop

PACKAGE INCLUDES

1x Sink Bowl; 1x Faucet; 1x Pop Up Drain;
1x Hot/Cold Water Pipe; Accessories & Manual

FEATURE

Scratch & Stain Resistant

Attention: Each sink is unique by handmade, it makes slight color variations possible

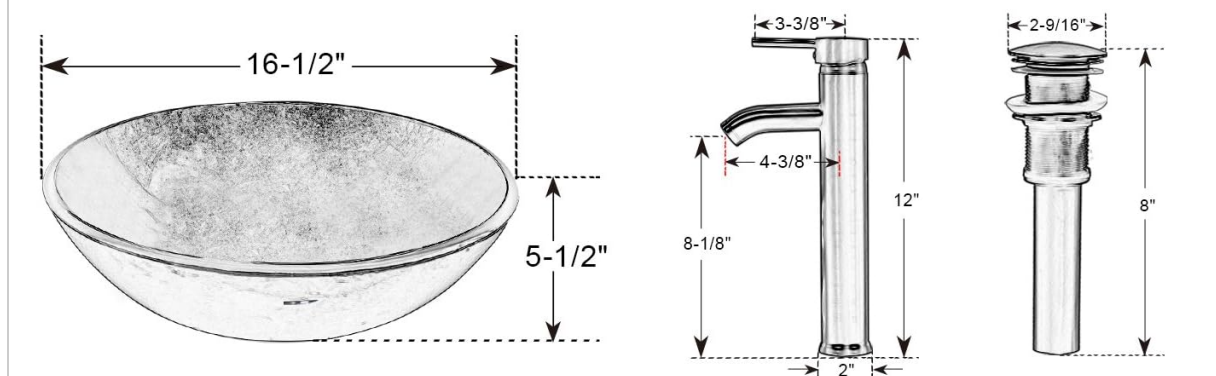


Figure 3: Faucet with temperature control.

5.2 Pop-Up Drain Operation

- **To Close Drain:** Press down on the center of the pop-up drain cap to seal the drain and retain water in the sink.
- **To Open Drain:** Press down on the center of the pop-up drain cap again to release the seal and allow water to drain.

6. MAINTENANCE

Proper care and maintenance will ensure the longevity and appearance of your eclife vessel sink.

6.1 Cleaning the Glass Sink

- Clean the tempered glass sink regularly with a soft cloth and a mild, non-abrasive glass cleaner or soap and water.
- Avoid using harsh chemicals, abrasive cleaners, scouring pads, or ammonia-based products, as these can damage the glass surface or the artistic finish.
- Wipe dry with a clean, soft cloth to prevent water spots.

6.2 Faucet and Drain Care

- Clean the faucet and drain with a soft cloth and mild soap and water.
- Do not use abrasive cleaners or polishes on the faucet finish, as this can remove the protective coating.

- Periodically check for and tighten any loose connections to prevent leaks.

Important: The tempered glass is durable but still fragile. Avoid dropping heavy objects into the sink or applying excessive force, which could cause damage.

7. TROUBLESHOOTING

If you encounter any issues with your eclife vessel sink, refer to the following common troubleshooting tips:

- **Low Water Pressure:** Check if the water supply valves are fully open. Inspect the faucet aerator for clogs and clean if necessary.
- **Leaks:** Ensure all plumbing connections (supply lines, drain assembly) are tightened securely. Check for damaged washers or seals and replace if needed. Apply plumber's tape to threaded connections if leaks persist.
- **Slow Drainage:** The pop-up drain may be partially closed or clogged with debris. Press the drain cap to ensure it's fully open. Remove the drain cap and clear any hair or debris.
- **Water Spots/Stains:** Use a glass cleaner or a solution of vinegar and water to remove stubborn water spots. Regular drying after use can prevent buildup.

For issues not resolved by these steps, contact a qualified plumber or eclife customer support.

8. WARRANTY AND SUPPORT

eclife products are manufactured to high-quality standards. For specific warranty information, please refer to the documentation included with your purchase or visit the official eclife website. For technical assistance or replacement parts, please contact eclife customer support.

eclife Customer Service:

- Website: [eclife Official Store](#)
- Contact information may also be found on your purchase receipt or product packaging.