



Manuals.plus /

› Ideal Standard /

› Ideal Standard E036801 Wrapover Soft Closing Toilet Seat User Manual

Ideal Standard E036801

Ideal Standard E036801 Wrapover Soft Closing Toilet Seat User Manual

Model: E036801

1. PRODUCT OVERVIEW

This manual provides instructions for the Ideal Standard E036801 Wrapover Soft Closing Toilet Seat. This product is designed for compatibility with Ideal Standard Connect Air series toilets, offering enhanced comfort and hygiene features.

Key features include an integrated soft-closing mechanism for quiet operation, a quick-release fastener for easy removal and cleaning, and durable Duroplast material with robust stainless steel hinges for long-lasting stability.



Image 1.1: The Ideal Standard E036801 Wrapover Soft Closing Toilet Seat in its closed position.

2. SETUP AND INSTALLATION

The Ideal Standard E036801 toilet seat is designed for top-mount installation. Ensure all fixings are present before beginning installation.

2.1. Package Contents

- Toilet Seat (Wrapover, Soft Closing)
- Mounting Hardware (Hinges, Screws, Washers, Nuts)

2.2. Installation Steps

1. **Prepare the Toilet Bowl:** Ensure the toilet bowl's mounting holes are clean and free of debris.
2. **Position the Hinges:** Insert the hinge posts into the mounting holes on the toilet bowl.

3. **Attach the Seat:** Align the toilet seat with the hinge posts and press down firmly until it clicks into place. The quick-release mechanism allows for easy attachment and detachment.
4. **Secure the Fixings:** From the top, tighten the screws to secure the hinges firmly to the toilet bowl. Ensure the seat is centered and stable.
5. **Test Stability:** Gently try to move the seat to ensure it is securely fastened and does not wobble.

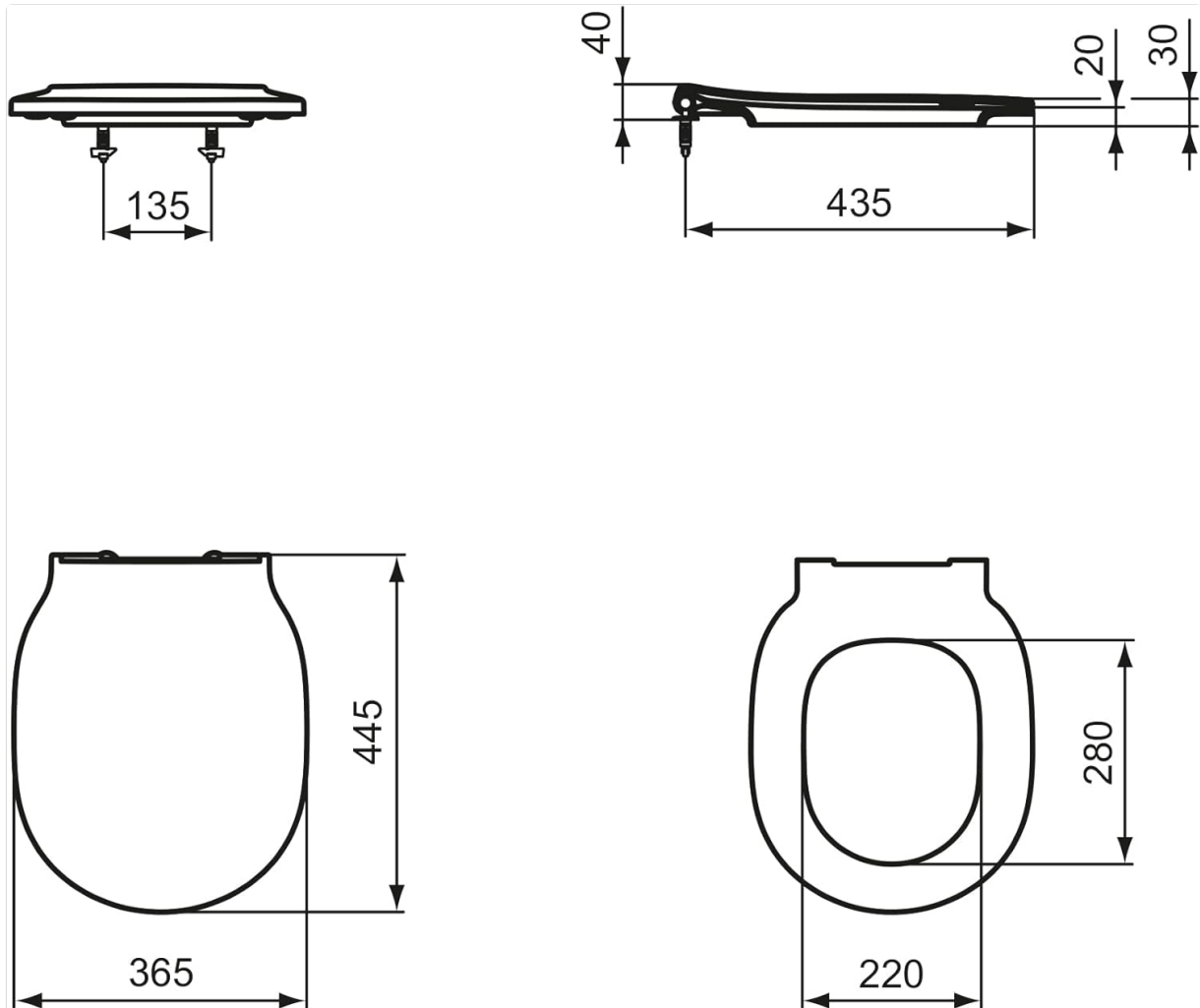


Image 2.1: Technical drawing showing dimensions and hinge placement for installation. External dimensions (W x D x H): 365 x 445 x 50 mm.

3. OPERATING INSTRUCTIONS

This toilet seat features an integrated soft-closing mechanism for both the lid and the seat. This mechanism ensures a gentle and quiet closing action, preventing slamming and reducing wear.

3.1. Soft Closing Function

To engage the soft-closing function, simply push the seat or lid downwards gently. The mechanism will take over, allowing it to close slowly and silently on its own. Do not force the seat or lid down, as this can damage the soft-closing mechanism.

4. MAINTENANCE AND CLEANING

Regular cleaning and proper maintenance will ensure the longevity and hygiene of your toilet seat.

4.1. Cleaning the Seat

The toilet seat is made from robust Duroplast material, which is scratch-resistant and easy to clean. Use a soft cloth with mild soap and water. Avoid abrasive cleaners, harsh chemicals, or scouring pads, as these can damage the surface finish and the soft-closing mechanism.

4.2. Removable Seat for Thorough Cleaning

For thorough cleaning of the toilet bowl and the seat's underside, the seat can be easily removed thanks to its quick-release fastener. To remove, locate the quick-release buttons or levers near the hinges and press/lift them. The seat will then lift off the hinge posts. Reattach by aligning the seat with the posts and pressing down until it clicks securely.

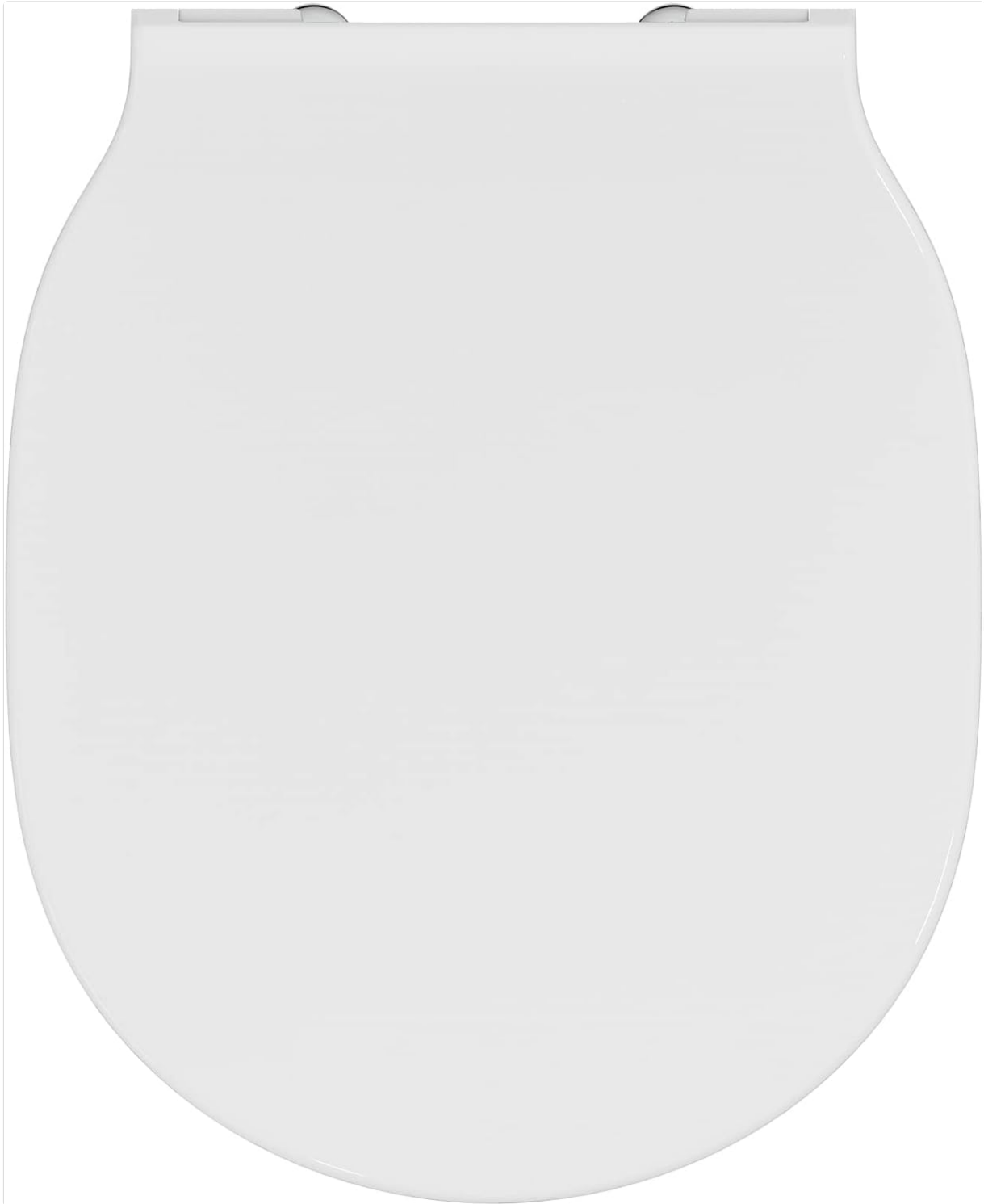


Image 4.1: The toilet seat in an open position, illustrating access to the quick-release hinges for cleaning.

5. TROUBLESHOOTING

If you encounter any issues with your toilet seat, refer to the following common solutions:

5.1. Seat is Loose or Wobbles

- Check the mounting hardware under the toilet bowl. Tighten the screws if they have become loose.
- Ensure the seat is correctly seated on the hinge posts. Remove and reattach if necessary.

5.2. Soft Closing Mechanism Not Working Properly

- Ensure the hinges are clean and free from debris or cleaning product residue that might impede movement.
- Avoid forcing the seat or lid down, as this can damage the mechanism. If the issue persists after checking for obstructions, contact customer support.

5.3. Difficulty Removing Seat for Cleaning

- Ensure you are pressing or lifting the quick-release buttons/levers firmly and correctly. Refer to the installation section for hinge details.

6. SPECIFICATIONS

Attribute	Detail
Brand	Ideal Standard
Model Number	E036801
Color	White
Material	Duroplast
Style	Wrapover
Shape	Oval
Product Dimensions (L x W)	17.52" x 14.37" (445mm x 365mm)
Item Weight	2.2 Kilograms
Operation Mode	Manual
Hinge Material	Stainless Steel

7. WARRANTY AND SUPPORT

For information regarding product warranty, please refer to the documentation provided at the time of purchase or visit the official Ideal Standard website. For technical support or further assistance, please contact Ideal Standard customer service directly.