

[Manuals.plus](#) /

> [Moen](#) /

> Moen Contemporary Brushed Nickel Toilet Paper Holder P5050BN User Manual

Moen P5050BN

Moen Contemporary Brushed Nickel Toilet Paper Holder P5050BN User Manual

Model: P5050BN

PRODUCT OVERVIEW

The Moen P5050BN Contemporary Brushed Nickel Toilet Paper Holder offers a modern design with a brushed nickel finish. This wall-mounted accessory is designed for ease of use and durability, complementing various bathroom styles.



Image: Moen P5050BN Contemporary Brushed Nickel Toilet Paper Holder, showcasing its sleek design and brushed nickel finish.

PACKAGE CONTENTS

- Toilet Paper Holder Assembly (Brushed Nickel)
- Mounting Hardware
- Installation Template

SETUP AND INSTALLATION

Installation of the Moen P5050BN toilet paper holder is designed to be straightforward. Follow these general steps:

1. **Prepare the Mounting Location:** Select a suitable wall location for the toilet paper holder. Ensure it is at an appropriate height and clear of any electrical wires or plumbing.
2. **Use the Template:** Position the included installation template on the wall at the desired location. Use a pencil to mark the drilling points.

3. **Drill Pilot Holes:** Drill pilot holes at the marked locations. The size of the drill bit should correspond to the mounting hardware provided.
4. **Install Wall Anchors:** Insert the appropriate wall anchors into the pilot holes.
5. **Attach Mounting Brackets:** Secure the mounting brackets to the wall using the provided screws. Ensure they are level and firmly attached.
6. **Mount the Holder:** Align the toilet paper holder assembly with the mounting brackets and secure it in place. Typically, this involves tightening small set screws located on the underside of the holder's bases.
7. **Verify Stability:** Gently tug on the installed holder to ensure it is securely fastened to the wall.

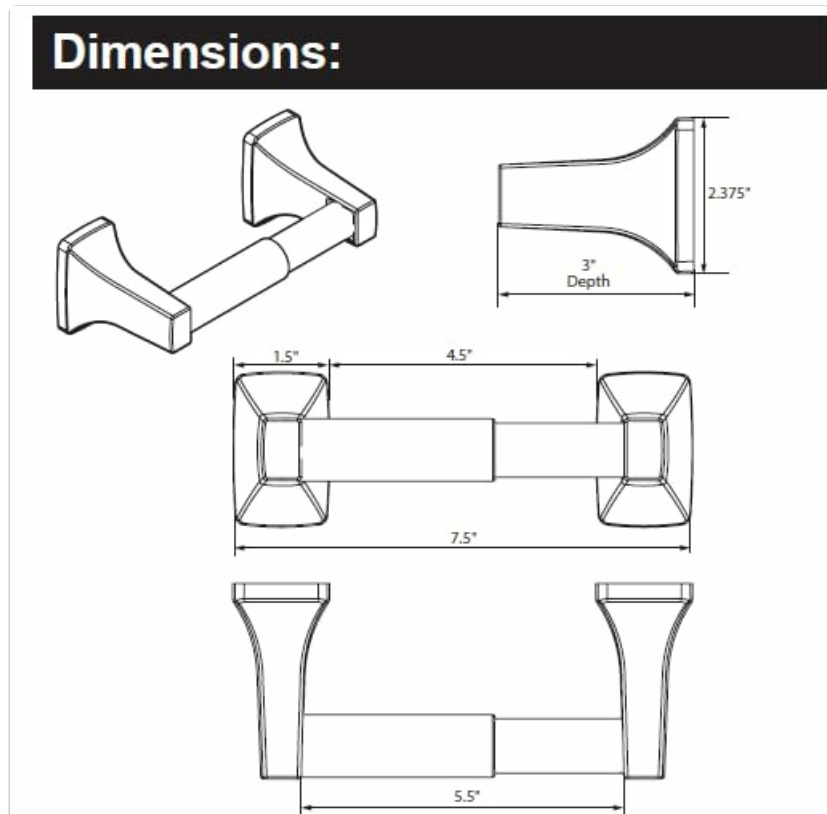


Image: Technical drawing showing the dimensions of the Moen P5050BN Toilet Paper Holder, including length and depth measurements for installation planning.

OPERATING INSTRUCTIONS (CHANGING THE ROLL)

The Moen P5050BN features a standard spring-loaded roller for easy toilet paper roll replacement.

1. **Remove the Old Roll:** Once a toilet paper roll is empty, remove it from the holder.
2. **Compress the Spring Roller:** Grasp one end of the spring-loaded roller and compress it inward.
3. **Remove the Roller:** Carefully pull the compressed end out of its socket on one side of the holder, then remove the entire roller.
4. **Load New Roll:** Slide a new toilet paper roll onto the spring-loaded roller.
5. **Reinsert Roller:** Compress one end of the roller with the new toilet paper roll and insert it back into the holder's sockets. Ensure both ends are securely seated.

MAINTENANCE

To maintain the finish and functionality of your Moen P5050BN toilet paper holder, follow these guidelines:

- **Cleaning:** Clean regularly with a soft, damp cloth. Avoid abrasive cleaners, harsh chemicals, or polishes, as these can damage the brushed nickel finish.

- **Drying:** After cleaning, dry the surface with a soft, clean cloth to prevent water spots.
- **Inspection:** Periodically check the mounting screws for tightness and re-tighten if necessary to ensure the holder remains secure.

TROUBLESHOOTING

Problem	Possible Cause	Solution
Holder feels loose on the wall.	Mounting screws are loose or wall anchors are not secure.	Tighten the set screws on the underside of the holder's bases. If the issue persists, remove the holder, inspect wall anchors, and replace if damaged. Ensure screws are fully engaged.
Spring roller falls apart when changing toilet paper.	The spring mechanism consists of multiple parts that can separate if not handled carefully.	When removing or inserting the roller, hold both ends firmly to prevent the internal spring and components from separating. Reassemble the roller if it comes apart.
New toilet paper roll is too snug.	Some jumbo-sized toilet paper rolls may have a larger diameter.	The holder is designed for standard-sized rolls. Jumbo rolls may fit tightly initially but will loosen with use. Consider using standard-sized rolls if preferred.

SPECIFICATIONS

- **Model Number:** P5050BN
- **Brand:** Moen
- **Material:** Zinc
- **Finish Type:** Brushed Nickel
- **Product Dimensions:** 7.5 inches (Length) x 2.38 inches (Width)
- **Included Components:** Paper Holder, Mounting Hardware
- **Roll Quantity:** Designed for 1 standard toilet paper roll
- **Style:** Contemporary / Modern

WARRANTY AND SUPPORT

This Moen product is backed by Moen's Limited Warranty. For specific warranty details, claims, or technical support, please refer to the official Moen website or contact Moen customer service directly.

Manufacturer Warranty Description: 1 Year Limited

For further assistance, visit the official [Moen website](#).

