



Manuals.plus /

- › Stiebel Eltron /
- › Stiebel Eltron CK 200-2 Trend Wall-Mounted Electric Fan Heater Instruction Manual

Stiebel Eltron CK 200-2 Trend

Stiebel Eltron CK 200-2 Trend Wall-Mounted Electric Fan Heater Instruction Manual

Model: CK 200-2 Trend

1. INTRODUCTION

This manual provides essential information for the safe and efficient operation of your Stiebel Eltron CK 200-2 Trend wall-mounted electric fan heater. Please read these instructions thoroughly before installation and use, and retain them for future reference.



Image 1.1: Front view of the Stiebel Eltron CK 200-2 Trend electric fan heater.

2. SAFETY INFORMATION

Always observe the following safety precautions to reduce the risk of fire, electric shock, or injury.

- **Electrical Connection:** This unit requires hard-wiring to a dedicated 15 Amp breaker with 14 AWG wire. Installation must be performed by a qualified electrician in accordance with all local and national electrical codes.
- **Voltage:** The CK 200-2 Trend operates at 240 Volts. Ensure the power supply matches this requirement.
- **Placement:** Do not install the heater directly below a fixed socket outlet. Maintain adequate clearance from combustible materials.
- **Water Exposure:** Do not install in areas where it may be directly exposed to water spray or splashes. While suitable for bathrooms, ensure proper distance from showers and bathtubs.
- **Supervision:** Close supervision is necessary when any appliance is used by or near children or individuals with reduced physical, sensory, or mental capabilities.
- **Maintenance:** Disconnect power before performing any maintenance or cleaning.
- **Damage:** Do not operate any heater with a damaged cord or plug, or after the heater malfunctions, has been dropped or damaged in any manner.

3. PACKAGE CONTENTS

Verify that all components are present before beginning installation:

- Stiebel Eltron CK 200-2 Trend Electric Fan Heater Unit
- Instruction Manual (this document)
- Mounting hardware (screws, anchors)

4. SETUP AND INSTALLATION

Installation of the CK 200-2 Trend heater requires electrical wiring and should only be performed by a qualified professional.

4.1 Mounting Location

Select a wall location that allows for proper air circulation and is away from direct water sources. The heater is designed for surface mounting. Ensure the wall material can support the unit's weight (approximately 5.5 pounds).



Image 4.1: Example of the heater mounted in a bathroom setting.

4.2 Electrical Connection

- The CK 200-2 Trend must be hard-wired. It does not come with a standard plug.
- Connect to a dedicated 240V circuit with a 15 Amp breaker.
- Use 14 AWG wire for the electrical connection.
- The heater may be wired for use with a remote line voltage thermostat if desired.



Image 4.2: Side view of the heater, indicating the location of the power switch.

4.3 Dimensions

The product dimensions are approximately 5.13 inches (D) x 10.88 inches (W) x 15.75 inches (H).

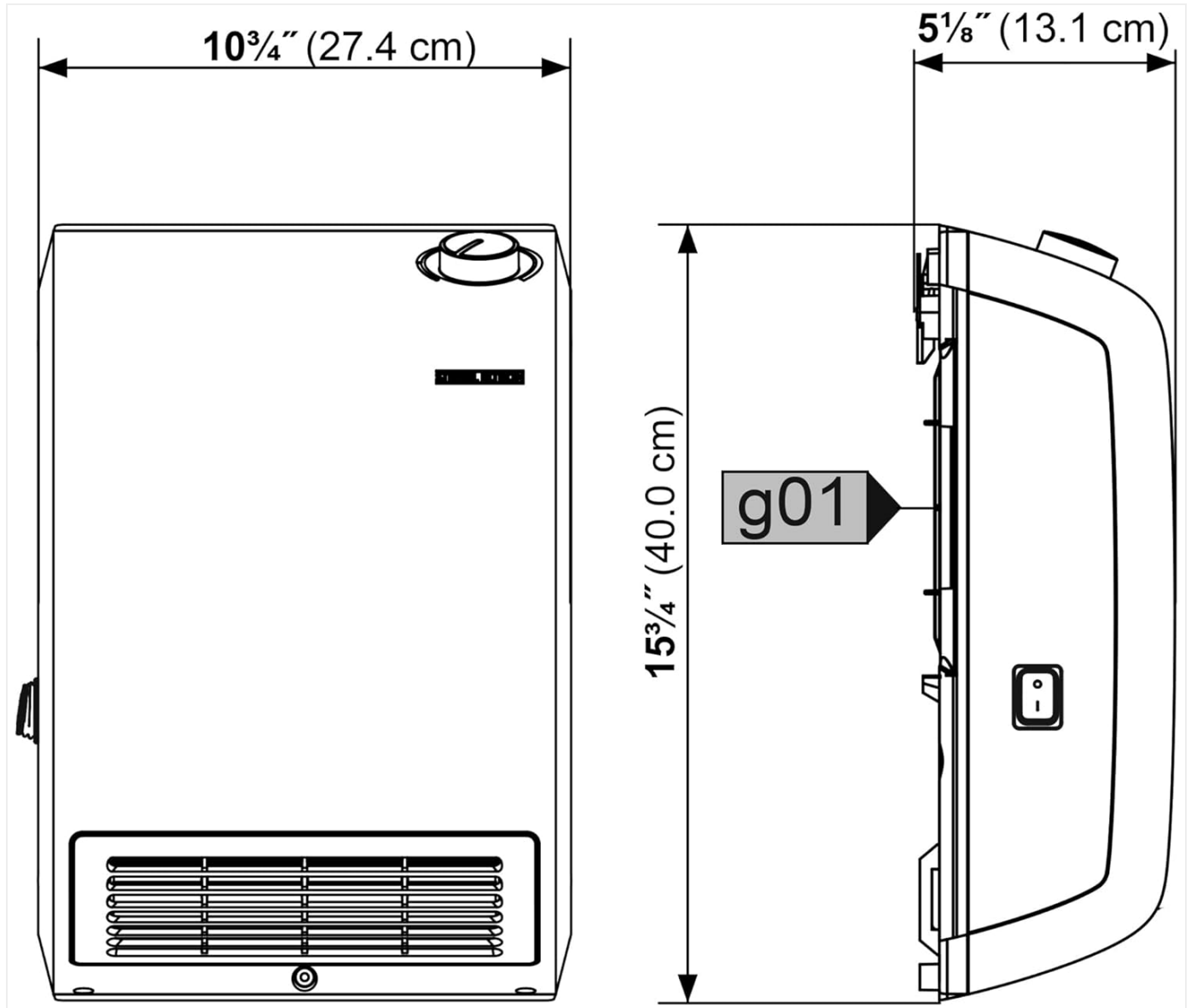


Image 4.3: Dimensional drawing of the heater for installation planning.

5. OPERATING INSTRUCTIONS

Once properly installed and powered, the heater is ready for operation.

5.1 Power On/Off

Locate the power switch on the side of the unit. Flip the switch to the 'On' position to activate the heater.

5.2 Temperature Control

The adjustable thermostat control knob is located on the top of the unit. Rotate the knob clockwise to increase the desired temperature setting and counter-clockwise to decrease it. The heater will cycle on and off to maintain the set temperature.



Image 5.1: Top view of the heater, highlighting the thermostat control knob.

5.3 Frost Protection Setting

The CK Trend includes a frost protection setting. When activated, this feature will maintain temperatures above freezing in an appropriately sized space, preventing pipes from freezing in unheated areas.

6. MAINTENANCE

Regular maintenance ensures optimal performance and longevity of your heater.

6.1 Cleaning the Filter

The heater features a washable filter to maintain air quality and heating efficiency. Periodically check and clean the filter as needed. Always disconnect power to the unit before accessing the filter.



Image 6.1: Internal view showing the fan and filter, accessible for cleaning.

6.2 General Cleaning

Wipe the exterior of the heater with a soft, damp cloth. Do not use abrasive cleaners or solvents. Ensure the unit is completely dry before restoring power.

7. TROUBLESHOOTING

If your heater is not functioning as expected, consult the following common issues before contacting support.

- **Heater not turning on:**
 - Check the circuit breaker to ensure it has not tripped.
 - Verify the power switch on the unit is in the 'On' position.
 - Ensure the thermostat is set above the current room temperature.
- **Insufficient heat output:**
 - Confirm the thermostat setting is appropriate for the desired temperature.
 - Check if the air intake or exhaust vents are obstructed.
 - Clean the air filter if it appears dirty.
- **Unusual noises:**
 - Ensure the unit is securely mounted to the wall.
 - Check for any foreign objects near the fan.

For issues not resolved by these steps, please contact customer support.

8. SPECIFICATIONS

Feature	Detail
Model	CK 200-2 Trend
Part Number	236305
Brand	Stiebel Eltron
Type	Wall-Mounted Electric Fan Heater
Voltage	240 Volts
Wattage	2000 W (at 240V) / 1800 W (at 208V)
Amperage	8.7 Amps
Heat Output	6824 BTU/hour (at 240V) / 6142 BTU/Hour (at 208V)
Dimensions (D x W x H)	5.13" x 10.88" x 15.75"
Item Weight	5.5 pounds
Noise Level	49 dB(a) (extremely quiet)
Heating Element	Ceramic Positive Temperature Coefficient (PTC)
Safety Certifications	ETL listed (CSA and UL safety standards)

9. WARRANTY INFORMATION

The Stiebel Eltron CK 200-2 Trend heater comes with a **3-year warranty** against defects in workmanship and materials under normal use. Please refer to the official Stiebel Eltron warranty documentation for complete details and terms.

10. SUPPORT

For technical assistance, parts, or warranty claims, please contact Stiebel Eltron customer support. You can find contact information on the official Stiebel Eltron website or through your product retailer.

Online Resources: Stiebel Eltron USA Website

