

[Manuals.plus](#) /

> [Arozzi](#) /

> Arozzi Arena Large Gaming Desk (ARENA-NA-PURE-BLACK) Instruction Manual

## Arozzi ARENA-NA-PURE-BLACK

# Arozzi Arena Large Gaming Desk

Model: ARENA-NA-PURE-BLACK

## 1. SAFETY INFORMATION

---

**WARNING:** This desk is heavy and requires assembly. Always use appropriate tools and techniques to assemble and move the desk to prevent injury. Ensure the desk is properly anchored to the floor to prevent tipping. Do not exceed the weight limit of 176 lbs (evenly distributed) on the desk top.

## 2. PACKAGE CONTENTS

---

Verify that all components are present before beginning assembly:

- Arena Desk Components
- Assembly Guide
- Assembly Tools
- Full-surface Desk Mat

## 3. SETUP AND ASSEMBLY

---

The Arozzi Arena Gaming Desk requires assembly. A detailed guide and all necessary tools are included in the package. It is recommended that two people assemble the desk for ease and safety.

### 3.1. Unpacking and Preparation

- Carefully unpack all components and lay them out on a clean, soft surface to prevent scratches.
- Identify all parts against the included parts list in the assembly guide.

### 3.2. Assembling the Frame

Follow the step-by-step instructions in the assembly guide to construct the steel frame. Ensure all bolts are tightened securely in an alternating pattern to prevent wobbling and ensure stability.



Image: The sturdy steel frame and legs of the Arozzi Arena Gaming Desk.

### 3.3. Attaching the Desktop Panels

The desktop consists of three separate panels. Attach these panels to the assembled frame according to the instructions. Ensure they are aligned correctly to form a seamless surface.

### 3.4. Installing the Full-Surface Mousepad

Once the desktop panels are in place, carefully lay the full-surface microfiber mousepad over the entire desk surface. The mousepad is tailored to fit the unique curved shape of the Arena desk.

### 3.5. Cable Management Setup

The desk features three surface cutouts for cable routing and a mesh basket underneath to help organize wires. Route your cables through the cutouts and into the mesh basket to maintain a tidy workspace.



Image: Close-up of the desk's cable management features, including cutouts and the mesh basket.

### 3.6. Important Assembly Tips:

- **Tightening Bolts:** To prevent wobbling, tighten all bolts in an alternating pattern until they are secure. Do not overtighten.
- **Two-Person Assembly:** Due to the desk's size and weight, assembly is significantly easier and safer with two individuals.

## 4. OPERATING INSTRUCTIONS

### 4.1. Height Adjustment

The Arozzi Arena desk features manual height adjustment. To adjust the height, loosen the knobs on the two legs, set the desk to your desired height between 27.9 and 31.9 inches (71-81 cm), and then securely tighten the knobs. Four balance knobs are also present for stability on uneven floors.

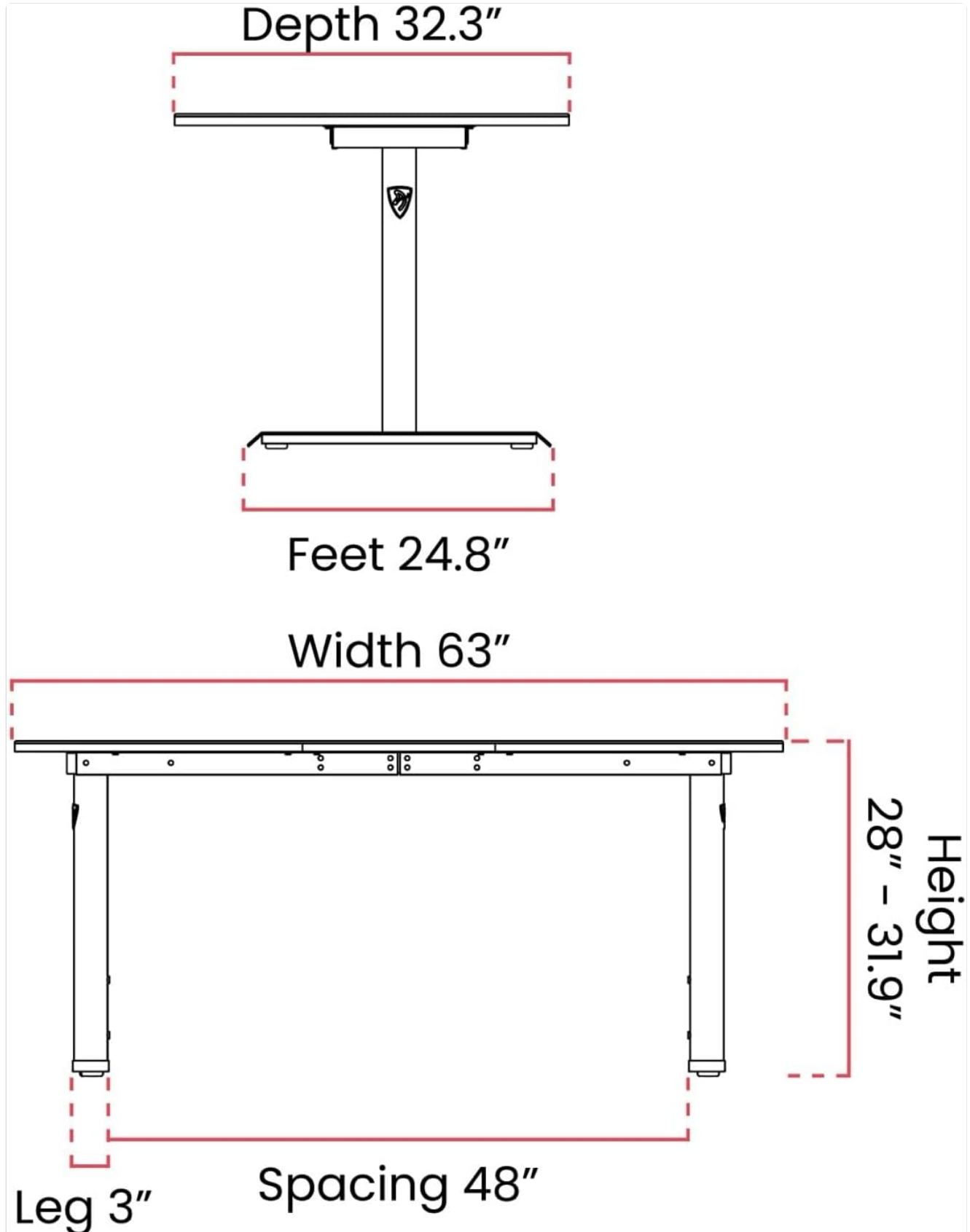


Image: Technical diagram illustrating the adjustable height and overall dimensions of the desk.

## 4.2. Using the Full-Surface Mousepad

The desk is equipped with a full-surface microfiber mousepad that provides smooth tracking across the entire workspace. This mousepad is water-resistant, offering protection against spills.

## 4.3. Monitor Setup

The Arena desk is designed to support up to three large monitors. Utilize the three surface cutouts to route monitor cables neatly or to attach monitor stands for an ergonomic setup.

Your browser does not support the video tag.

Video: An official product video showcasing the Arozzi Arena Gaming Desk in use with a multi-monitor setup.

Your browser does not support the video tag.

Video: A brief official video highlighting the Arena Ultrawide Desk's features.

# 5. MAINTENANCE

---

## 5.1. Desktop Surface Care

The full-surface mousepad is machine washable. For general cleaning, wipe the surface with a damp cloth. For deeper cleaning, the mousepad can be removed and machine washed or hand washed as needed.

## 5.2. Frame Care

Wipe the metal frame and legs with a damp cloth to remove dust and dirt. Avoid using harsh chemicals that may damage the finish.

# 6. TROUBLESHOOTING

---

## 6.1. Desk Wobble

If the desk feels wobbly after assembly, ensure all bolts connecting the frame and desktop panels are securely tightened. Adjust the four balance knobs on the feet to compensate for uneven floor surfaces.

## 6.2. Cable Management Net Sagging

The mesh cable management basket may sag if overloaded or if cables are not distributed evenly. Consider using additional cable ties or wraps to secure heavier power strips and cables directly to the desk frame for better support.

# 7. SPECIFICATIONS

---

Feature	Detail
Brand	Arozzi
Model Number	ARENA-NA-PURE-BLACK
Product Dimensions (D x W x H)	32.3"D x 63"W x 29"H (82cm D x 160cm W x 74cm H)
Adjustable Height Range	27.9" - 31.9" (71cm - 81cm)
Item Weight	99 Pounds (44.9 kg)

Feature	Detail
Maximum Weight Recommendation	176 Pounds (79.8 kg)
Material Type	Microfiber cloth surface; Metal base
Color	Pure Black
Special Feature	Adjustable Height, Full-Surface Washable Mousepad, Cable Management
Required Assembly	Yes (Tools and guide included)

## 8. WARRANTY AND SUPPORT

---

### 8.1. Manufacturer Warranty

The Arozzi Arena Gaming Desk comes with a two-year manufacturer warranty. Please refer to the warranty card included in your package for full details and terms.

### 8.2. Customer Support

For technical assistance, missing parts, or warranty claims, please contact Arozzi North America customer support. Contact information can typically be found on the Arozzi official website or through your retailer's support channels.