

[Manuals.plus](#) /

> [GROHE](#) /

> GROHE Lineare Four-Hole Bathtub Faucet with Handshower User Manual

## GROHE 19577001

# GROHE Lineare Four-Hole Bathtub Faucet with Handshower User Manual

Model: 19577001

## 1. PRODUCT OVERVIEW

---

The GROHE Lineare Four-Hole Bathtub Faucet with Handshower, model 19577001, is designed to provide a sleek and minimal aesthetic for modern bathrooms. Its cosmopolitan design reduces elements to achieve a thin, inviting appearance. The faucet's design is based on a harmonious composition of cylindrical bodies and thin rectangular forms for the handle and spout.



## Key Features:

- **Pre-assembled spout mounting:** Simplifies installation.
- **Bath inlet with flow control:** Allows precise control over water flow into the tub.
- **Hand shower included:** Provides added convenience for rinsing or cleaning.
- **GROHE SilkMove cartridge technology:** Ensures smooth and effortless operation of the lever, providing continuously variable water temperature and volume adjustment.
- **GROHE StarLight coating:** Offers an ultra-smooth, scratch-resistant surface that maintains a luminous sheen and is easy to clean.
- **Ohm operating element:** Integrated control for intuitive use.
- **Metal lever handle:** Durable and aesthetically pleasing control.
- **Bath/shower diverter:** Easily switch between tub filler and hand shower functions.
- **Hand shower Sena Stick (26 465):** A sleek, functional hand shower.
- **79 inch metal shower hose:** Provides ample reach for the hand shower.



**GROHE**



**GROHE SilkMove**

Smooth, effortless handle operation



**GROHE DreamSpray**

Balanced water flow from all nozzles for a perfect shower



**GROHE StarLight**

Durable coating wipes clean, maintains finish for life



**Speed Clean**

Wipe away limescale on nozzles with your fingertip

Image 1.2: Visual representation of GROHE technologies including SilkMove for smooth operation, DreamSpray for balanced water flow, StarLight for durable finish, and Speed Clean for easy limescale removal.

## 2. SAFETY INFORMATION

---

Please read all instructions carefully before installation and use to ensure safe operation and prevent damage. Keep this manual for future reference.

- Ensure water supply is turned off before beginning any installation or maintenance work.
- If you are unsure about any part of the installation process, consult a qualified plumber.
- Do not use abrasive cleaners or harsh chemicals on the faucet's surface, as this may damage the finish.
- Protect the product from freezing temperatures.

## 3. PACKAGE CONTENTS

---

Verify that all components are present and undamaged before proceeding with installation. The package should contain:

- Bathtub Faucet Spout Assembly
- Hand Shower Sena Stick (26 465)
- Metal Shower Hose (79 inches)
- Control Handles/Operating Elements
- Installation Guide (Included Components)
- Mounting Hardware and Seals

## 4. SETUP AND INSTALLATION

---

This faucet is designed for deck-mount installation on a bathtub with four pre-drilled holes. For detailed step-by-step instructions, please refer to the dedicated *Installation Guide* included with your product. Below are general guidelines and considerations:

1. **Preparation:** Turn off the main water supply to the bathroom. Clear the installation area and ensure you have all necessary tools (e.g., adjustable wrench, screwdriver, sealant tape).
2. **Mounting:** Position the faucet components (spout, hand shower, control handles) into the pre-drilled holes on the bathtub deck. Secure them from underneath using the provided mounting hardware.
3. **Water Connections:** Connect the hot and cold water supply lines to the appropriate inlets on the faucet assembly. Ensure all connections are tight to prevent leaks.
4. **Hand Shower Connection:** Connect the 79-inch metal shower hose to the hand shower outlet and the hand shower itself.
5. **Testing:** Once all connections are secure, slowly turn on the main water supply and check for any leaks. Operate the faucet and hand shower to ensure proper function and flow.

It is highly recommended to consult the specific diagrams and instructions in the included *Installation Guide* for precise measurements and connection details.

## 5. OPERATING INSTRUCTIONS

---

The GROHE Lineare faucet features intuitive controls for water flow, temperature, and diversion between the main spout and hand shower.

- **Water Flow and Temperature:** Use the metal lever handle to control both water flow and temperature. Moving the handle up or down adjusts the flow volume, while moving it left or right adjusts the temperature (typically left for hot, right for cold). The GROHE SilkMove cartridge ensures smooth and precise adjustments.
- **Diverter:** The bath/shower diverter allows you to switch water flow between the main bathtub spout and the hand shower. Engage the diverter to direct water to the hand shower when needed.
- **Hand Shower Use:** The Sena Stick hand shower provides a focused spray for rinsing. After use, ensure the hand shower is properly seated in its holder.

## 6. MAINTENANCE AND CARE

---

To maintain the pristine appearance and functionality of your GROHE Lineare faucet, follow these simple care instructions:

- **Cleaning the Finish:** Thanks to the GROHE StarLight coating, the surface is ultra-smooth and scratch-resistant. Simply wipe the faucet down with a soft, dry cloth after each use to prevent water spots and maintain its luminous sheen. For more thorough cleaning, use a mild soap and water solution, then rinse thoroughly and dry.

- **Avoid Harsh Cleaners:** Do not use abrasive sponges, scouring pads, or cleaners containing alcohol, ammonia, bleach, or phosphoric acid, as these can damage the finish.
- **Limescale Removal:** If limescale builds up on the hand shower nozzles, gently wipe them with your fingertip (Speed Clean feature) to dislodge deposits. For stubborn limescale, use a descaling solution specifically designed for bathroom fixtures, following the product's instructions.
- **Regular Checks:** Periodically check all connections for leaks and ensure the handles operate smoothly.

## 7. TROUBLESHOOTING

If you encounter issues with your GROHE Lineare faucet, refer to the following common problems and solutions:

Problem	Possible Cause	Solution
Low Water Flow	Clogged aerator or hand shower nozzles; partially closed shut-off valve; low water pressure.	Clean aerator/nozzles. Ensure shut-off valves are fully open. Check household water pressure.
Leaks from Faucet Base	Loose mounting nuts; worn seals/gaskets.	Tighten mounting nuts. Inspect and replace seals/gaskets if necessary (consult a professional).
Dripping Faucet	Worn cartridge.	Contact GROHE customer service or a qualified plumber for cartridge replacement.
Difficulty Adjusting Temperature	Cartridge issue; water heater setting.	Check water heater settings. If problem persists, cartridge may need servicing.

For issues not listed here or if solutions do not resolve the problem, please contact GROHE customer support.

## 8. SPECIFICATIONS

Detailed technical specifications for the GROHE Lineare Four-Hole Bathtub Faucet with Handshower (Model 19577001):

Attribute	Detail
Brand	GROHE
Model Number	19577001
Color	StarLight Chrome
Material	Metal (Brass handle material)
Finish Type	Chrome
Number of Handles	1
Item Weight	14.8 pounds (approx. 6.73 Kilograms)
Product Dimensions	22.44 x 14.57 x 4.33 inches
Mounting Type	Deck Mount
Installation Method	Tub mount
Spout Reach	8 3/8" / 212mm
Hand Shower Height	9 5/8" / 245mm

Attribute	Detail
Faucet Height	4 3/4" / 120mm
Number Of Holes	4
Water Consumption	1.75 Gallons per Minute
Special Features	Lead Free

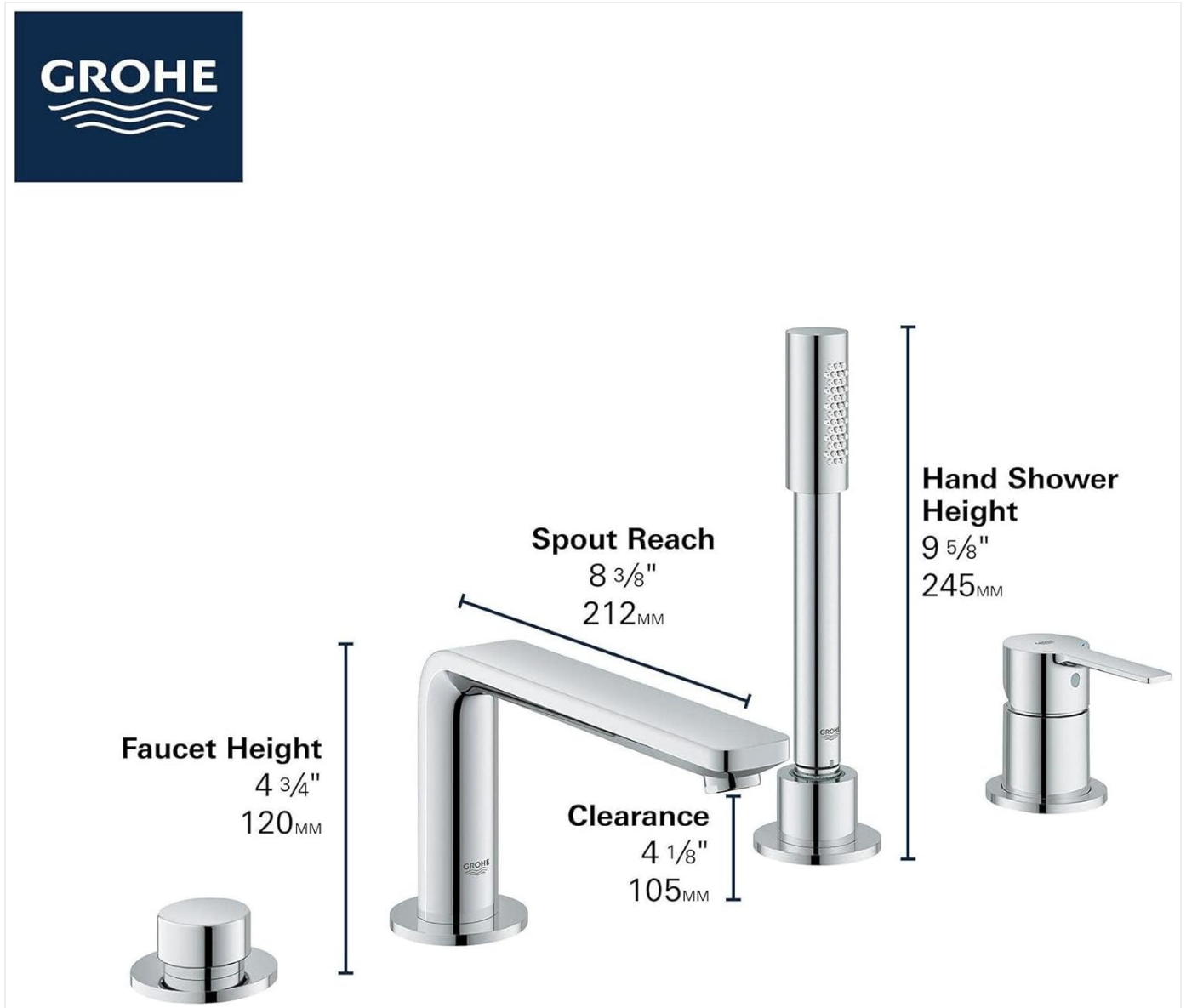


Image 8.1: Dimensional diagram of the GROHE Lineare Four-Hole Bathtub Faucet, showing spout reach, faucet height, and hand shower height.

## 9. WARRANTY AND SUPPORT

This GROHE product comes with a **LIMITED** warranty. For specific terms and conditions of your warranty, please refer to the warranty documentation included with your purchase or visit the official GROHE website.

For technical assistance, replacement parts, or warranty claims, please contact GROHE customer support. Contact information can typically be found on the GROHE website or in your product's packaging.

**Online Resources:** For additional information, FAQs, and product registration, visit the official GROHE website:

[www.grohe.us](http://www.grohe.us)



© 2023 GROHE. All rights reserved. Information subject to change without notice.