



[Manuals.plus](#) /

> [WAC Lighting](#) /

> WAC Lighting H-LED009-40-WT Framing Projector LED Track Head User Manual

## WAC Lighting H-LED009-40-WT

# WAC Lighting H-LED009-40-WT Framing Projector LED Track Head User Manual

Model: H-LED009-40-WT | Brand: WAC Lighting

[Product Overview](#)

[Safety Information](#)

[Package Contents](#)

[Specifications](#)

[Installation](#)

[Operation](#)

[Maintenance](#)

[Troubleshooting](#)

[Warranty](#)

[Support](#)

## 1. Product Overview

The WAC Lighting H-LED009-40-WT Framing Projector is an LED low voltage track head designed for precise illumination. It utilizes multi-chip LED technology and two lenses for accurate focus adjustment, making it ideal for highlighting artwork, wall decor, or projecting images and logos. This model is configured for H-style track systems and features a 4000K color temperature with 80+ CRI.

### Key Features:

- Durable aluminum construction with pre-installed removable framing projector.
- Two lenses for precise focus adjustment.
- 355-degree horizontal rotation and 90-degree vertical aiming for versatile positioning.
- Accepts one accessory lens and "D" size glass and metal gobos (sold separately).
- Smooth and continuous dimming down to 10% with an electronic low voltage dimmer.
- UL & CUL listed for dry locations.
- Replaceable high-powered LED module with a rated life of 60,000 hours.
- 4000K color temperature (80+ CRI).

## 2. Safety Information

**WARNING: This product can expose you to chemicals including lead and lead compounds, which are known to the State of California to cause cancer and birth defects or other reproductive harm. For more information, go to [www.P65Warnings.ca.gov](http://www.P65Warnings.ca.gov). Please check your local laws before purchasing this product.**

- Always disconnect power before installation, removal, or servicing.
- Installation should be performed by a qualified electrician in accordance with local electrical codes.
- Ensure the track system is securely mounted and capable of supporting the fixture's weight.
- Do not operate the fixture with damaged parts.
- This fixture is designed for indoor, dry locations only.

### 3. Package Contents

Verify that all components are present before beginning installation:

- WAC Lighting H-LED009-40-WT Framing Projector LED Track Head (1)
- Mounting Hardware
- Installation Instructions

### 4. Specifications

|                               |   |
|-------------------------------|---|
| <b>Brand</b>                  | WAC Lighting  |
| <b>Model Number</b>           | H-LED009-40-WT  |
| <b>Color</b>                  | White   |
| <b>Material</b>               | Aluminum, Glass   |
| <b>Style</b>                  | 4000K (80+ CRI)   |
| <b>Light Source</b>           | LED   |
| <b>Wattage</b>                | 22 watts  |
| <b>Voltage</b>                | 120 Volts   |
| <b>Brightness</b>             | 290 Lumen   |
| <b>Light Color</b>            | Cool White (4000K)  |
| <b>CRI</b>                    | 80+   |
| <b>Rated Life</b>             | 60,000 hours  |
| <b>Dimming</b>                | Smooth and continuous to 10% with electronic low voltage dimmer |
| <b>Dimensions (L x W x H)</b> | 13.38"L x 4.25"W x 16.75"H                                      |
| <b>Mounting Type</b>          | Track Mounted (H-Track)   |
| <b>Certifications</b>         | UL & CUL listed for dry locations                               |
| <b>UPC</b>                    | 790576453675  |

### 5. Installation

**Important:** Ensure power to the track system is turned off at the circuit breaker before installation.

## 5.1 Track Compatibility

This fixture is designed for H-Track systems. Refer to the diagram below to identify compatible track configurations.



Figure 1: Track Fixture Configurations. This image illustrates different track system types (H, L, J, J2) and their respective adapter dimensions, ensuring proper compatibility for your track lighting setup.

## 5.2 Mounting the Track Head

1. Ensure the track system is properly installed and secured to the ceiling or wall.
2. Align the track head adapter with the track slot.
3. Insert the adapter into the track and twist to lock it into place. Ensure a secure electrical connection.
4. Verify the fixture is firmly attached to the track before restoring power.

## 5.3 Product Dimensions

Consider the fixture's dimensions for proper placement and clearance.

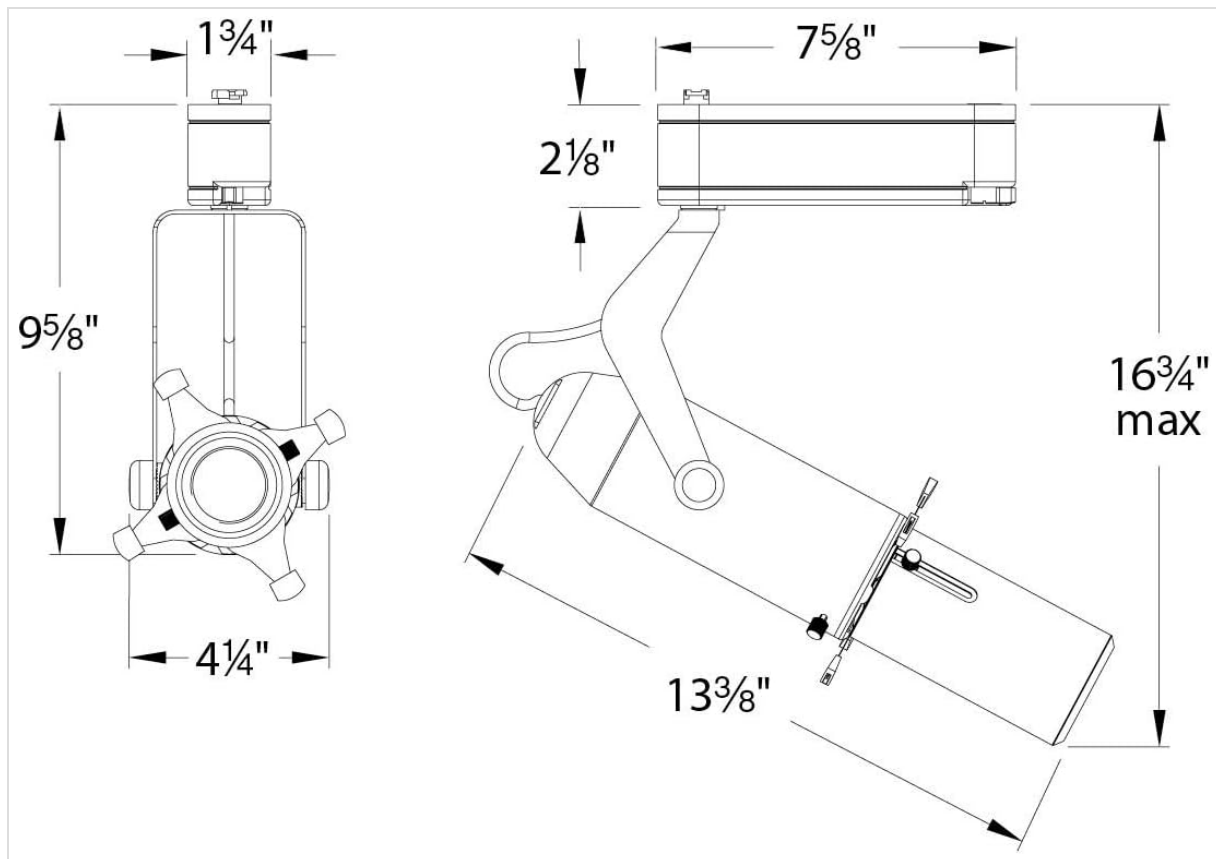


Figure 2: Product Dimensions. This technical drawing provides precise measurements for the track head, including its overall length (13 3/8"), maximum height (16 3/4"), and width (4 1/4"), aiding in installation planning.

## 6. Operation

### 6.1 Powering On/Off

Once installed, restore power to the track system. The fixture will illuminate. Use the wall switch or dimmer connected to the track circuit to turn the light on or off.

### 6.2 Aiming and Rotation

- The track head can be rotated 355 degrees horizontally to direct light as needed.
- The fixture can be aimed 90 degrees vertically to adjust the beam angle.
- Gently adjust the fixture by hand. Avoid excessive force.

### 6.3 Focus Adjustment (Framing Projector)

The framing projector uses two lenses for precise focus. Adjust these lenses to achieve a sharp edge for highlighting specific areas or projecting images.

- Locate the focus adjustment mechanisms on the fixture.
- Carefully turn or slide the adjusters to sharpen or soften the light beam's edges.
- For precise framing, adjust the internal shutters to create desired shapes (e.g., squares, rectangles).

### 6.4 Dimming

This fixture is compatible with electronic low voltage (ELV) dimmers, allowing for smooth and continuous dimming down to 10% of its full brightness. Ensure you are using a compatible dimmer for optimal performance.

## 7. Maintenance

- **Cleaning:** Disconnect power before cleaning. Use a soft, dry cloth to wipe the exterior of the fixture. Do not use abrasive cleaners or solvents, as they may damage the finish or optical components.
- **LED Module:** The LED module is replaceable. Contact WAC Lighting customer support for replacement parts and instructions if needed. Do not attempt to replace the LED module without proper guidance.
- **Inspection:** Periodically inspect the fixture and track connections for any signs of damage or loose wiring.

## 8. Troubleshooting

| Problem                                | Possible Cause  | Solution   |
|--|---|--|
| Fixture does not light up.             | No power to the track.<br>Loose connection.<br>Faulty LED module. | Check circuit breaker.<br>Ensure fixture is securely seated in the track.<br>Contact customer support. |
| Light flickers or dims inconsistently. | Incompatible dimmer.<br>Loose wiring.                             | Ensure an ELV dimmer is used.<br>Check track connections.  |
| Cannot achieve sharp focus.            | Improper lens adjustment.   | Refer to Section 6.3 for focus adjustment instructions.  |

## 9. Warranty Information

WAC Lighting provides the following warranty for this product:

- **Functional Warranty:** 5 years from the date of purchase.
- **Finish Warranty:** 2 years from the date of purchase.

This warranty covers defects in materials and workmanship under normal use. For full warranty terms and conditions, please refer to the official WAC Lighting warranty documentation or contact customer support.

## 10. Customer Support

If you have any questions, require technical assistance, or need to report a problem with your WAC Lighting H-LED009-40-WT Framing Projector, please contact WAC Lighting customer support. For more information, visit the official WAC Lighting website or refer to the contact details provided in your product packaging.

You can also visit the [WAC Lighting Store on Amazon](#) for additional product information and support resources.