



Manuals.plus /

- › Nilight /
- › Nilight NI-WA 06 LED Light Bar Wiring Harness Kit Instruction Manual

## Nilight NI-WA 06

# Nilight NI-WA 06 LED Light Bar Wiring Harness Kit Instruction Manual

Model: NI-WA 06

## INTRODUCTION

---

Thank you for choosing the Nilight NI-WA 06 LED Light Bar Wiring Harness Kit. This kit is designed to provide a reliable and safe power solution for your off-road lights and LED work lights. It features a 12V on/off switch, a power relay, and a blade fuse for circuit protection, ensuring optimal performance and safety. Please read this manual thoroughly before installation and operation.

## PRODUCT OVERVIEW

---

The Nilight NI-WA 06 wiring harness is a universal fit, compatible with all automobiles, boats, and devices equipped with a 12-volt power source. It includes two sets of light output connectors, supporting dual lighting fixtures less than 180W for stable connection.



Image: Overview of the Nilight NI-WA 06 LED Light Bar Wiring Harness Kit, showing the main harness, switch, relay, and fuses.

### Key Components:

- **16AWG Wiring Harness:** Designed for connecting light bars up to 180W.
- **3-Pin On/Off Rocker Switch:** Illuminated with a red indicator light for easy operation. Tested for 5,000 presses.
- **Power Relay:** Provides safety protection and conversion circuit.
- **Blade Fuse:** Protects the circuit from overcurrent or short circuits. Comes with 10A/15A fuses and three extra blade fuses.
- **Copper Wires:** 100% pure copper for increased current conductivity.
- **High Quality PVC Insulation:** Protects inner wires from cold and heat.

# TWO LEAD WIRING HARNESS

16AWG which can be used to connect a light bar less than 180W.



Image: Close-up of the two-lead 16AWG wiring harness, illustrating its capacity for connecting light bars up to 180W.

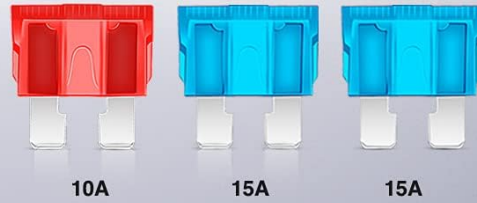


## SAFE BOX

Comes with **10A/15A** fuse for overvoltage, overload and short circuit protection.



Water resistant fuse holder



10A

15A

15A

Three extra blade fuses for option

Image: Detail of the water-resistant fuse holder, showing a 10A/15A fuse installed and three extra blade fuses for replacement.

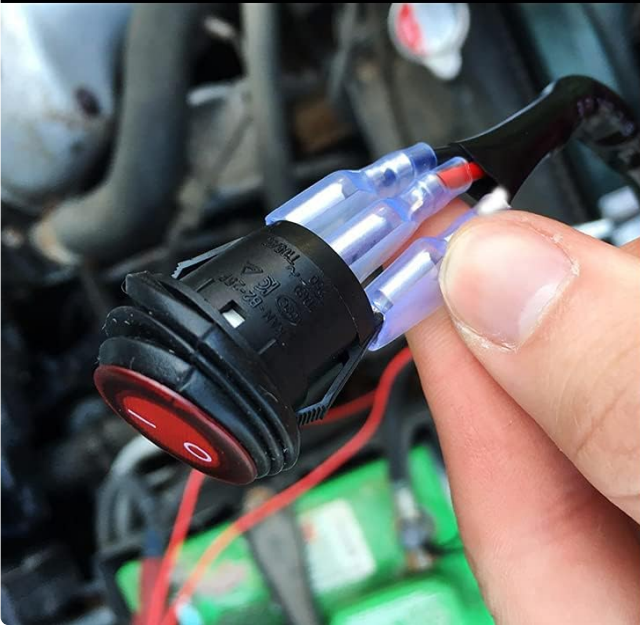


Image: Close-up of the power relay, highlighting its high-quality copper coil for efficient protection and conductivity.

# RELAY

Efficient protection power relay for safety protection.



## High quality copper coil

The high quality coil has good conductivity and can stand for extended wear.

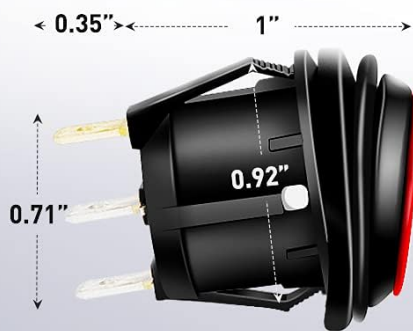


## Premium contactor

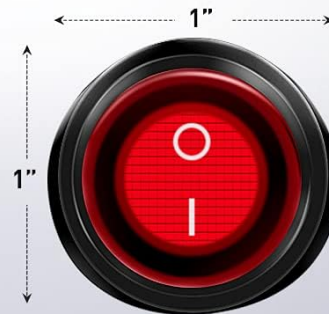
Image: Detailed view of the illuminated 3-pin on/off rocker switch, showing its red indicator light and dimensions for mounting.

# TOGGLE SWITCH

Made of IP65 waterproof rubber sealing, which also illuminates charming red to decorate your love car.



Charming Red indicator light



10,000 Times pressing after testing

Image: Cross-section view of the premium wiring harness, detailing the copper wires and high-quality PVC insulation for durability and safety.

## SETUP AND INSTALLATION

Proper installation is crucial for the safe and effective operation of your LED light bar. Follow these steps carefully.

### Wiring Diagram:

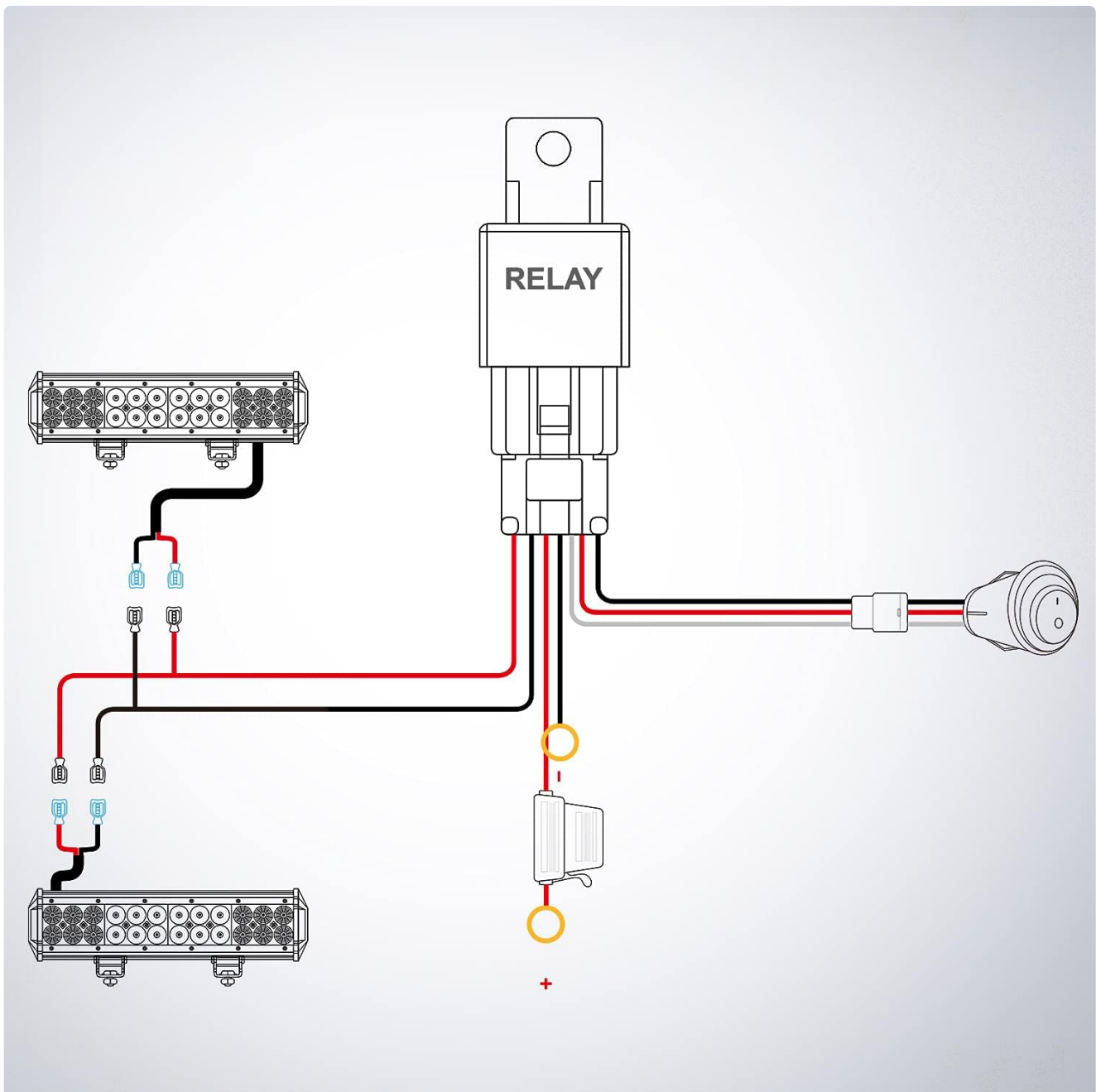


Image: A detailed wiring diagram illustrating the connections between the light bar, relay, fuse, switch, and battery terminals.

## Installation Steps:

1. **Mount the Light Bar:** Securely mount your LED light bar to your vehicle. Ensure the mounting location allows for proper wiring routing.
2. **Connect Light Bar to Harness:** Connect the light bar's wires to the two available leads on the wiring harness. The harness is designed for dual lighting fixtures.
3. **Install the Switch:** Choose a suitable location inside your vehicle's cabin for the 3-pin on/off rocker switch. Drill a 23.8mm (0.937 inch) hole for mounting. Connect the switch wires to the harness.
4. **Connect to Battery:** Connect the positive (+) wire from the harness to the positive terminal of your 12V power source (e.g., vehicle battery). Connect the negative (-) wire to the negative terminal or a suitable ground point on the vehicle chassis.
5. **Secure Wiring:** Route all wiring safely, away from moving parts, hot surfaces, and sharp edges. Use cable ties or clips to secure the harness.

Your browser does not support the video tag.

Video: This video demonstrates the installation process of a Nilight LED light bar and its wiring harness on a truck, including mounting the light bar, routing wires, and connecting the switch and battery. (Source: Seller)

## OPERATION

---

Once the wiring harness is correctly installed, operating your LED light bar is straightforward.

1. **Turn On/Off:** Use the installed 3-pin on/off rocker switch to power your light bar(s) on or off. The switch will illuminate red when the lights are active.
2. **Circuit Protection:** The integrated power relay and blade fuse provide essential circuit protection. In case of an overcurrent or short circuit, the blade fuse will trip to prevent damage to your lighting system and vehicle.

## MAINTENANCE

---

Regular maintenance ensures the longevity and optimal performance of your wiring harness kit.

- **Inspect Wiring:** Periodically check all wiring connections for any signs of wear, corrosion, or damage. Ensure all connections are secure.
- **Check Fuse:** If your light bar stops working, inspect the blade fuse in the water-resistant fuse holder. If the fuse is blown, replace it with a fuse of the same amperage (10A or 15A). The kit includes extra fuses for convenience.
- **Clean Components:** Keep the switch, relay, and fuse holder clean and free from dirt and debris.

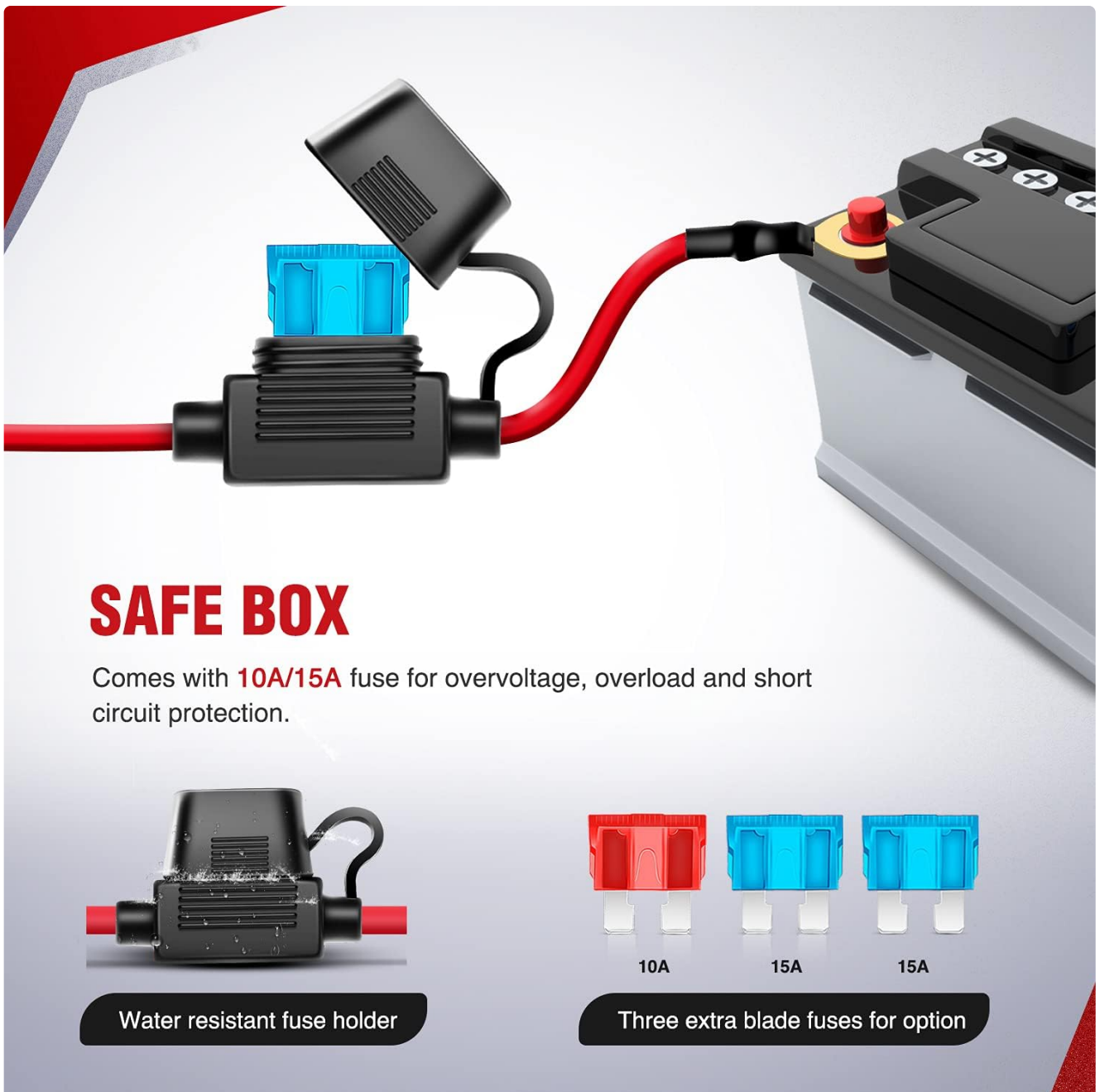


Image: The water-resistant fuse holder, important for regular inspection and replacement of the blade fuse to maintain circuit protection.

## TROUBLESHOOTING

If you encounter issues with your Nilight wiring harness kit, refer to the following common troubleshooting steps:

- **Light Bar Not Turning On:**

- Check all wiring connections to ensure they are secure and correctly connected (positive to positive, negative to negative).
- Verify that the 3-pin rocker switch is in the "ON" position and its indicator light is illuminated.
- Inspect the blade fuse. A blown fuse will prevent power flow. Replace if necessary.
- Ensure the light bar(s) are functioning correctly by testing them directly with a 12V power source if possible.

- **Switch Indicator Light Not On:**

- Check the power supply to the switch. Ensure the harness is receiving power from the vehicle battery.
- Inspect the switch wiring for loose connections.

- **Intermittent Power:**

- Check for loose or corroded connections at the battery terminals, relay, fuse holder, and light bar connectors.
- Ensure the wiring is not pinched or damaged along its route.

## SPECIFICATIONS

Feature	Specification
Brand	Nilight
Model	NI-WA 06
Wire Gauge	16AWG
Max Wattage	180W (for dual lighting fixtures)
Voltage	12V
Switch Type	3-Pin On/Off Rocker Switch (Illuminated)
Fuse Type	Blade Fuse (10A/15A)
Connector Type	Quick Connect
Material	Aluminum

## WARRANTY AND SUPPORT

The Nilight NI-WA 06 LED Light Bar Wiring Harness Kit comes with a **2-year warranty**. For any questions, technical assistance, or warranty claims, please contact Nilight customer support through their official website or the retailer where the product was purchased. Please retain your proof of purchase for warranty validation.