

[Manuals.plus](#) /

> [Thor Kitchen](#) /

> Thor Kitchen HRF3601F French Door Refrigerator User Manual

## Thor Kitchen HRF3601F

# Thor Kitchen HRF3601F French Door Refrigerator User Manual

Model: HRF3601F

## INTRODUCTION

---

This manual provides essential information for the safe and efficient operation, installation, and maintenance of your Thor Kitchen HRF3601F Cabinet Depth French Door Refrigerator. Please read these instructions thoroughly before using your appliance and retain them for future reference.





Figure 1: Front view of the Thor Kitchen HRF3601F French Door Refrigerator.

## SAFETY INFORMATION

---

Always follow basic safety precautions when using this appliance to reduce the risk of fire, electric shock, or injury. This refrigerator is designed for household use only.

- Ensure the appliance is properly grounded.
- Do not store explosive substances such as aerosol cans with a flammable propellant in this appliance.
- Unplug the appliance before cleaning or performing any maintenance.
- Keep ventilation openings clear of obstruction.
- Do not damage the refrigerant circuit.

## SETUP AND INSTALLATION

### Unpacking

Carefully remove all packaging materials. Inspect the refrigerator for any shipping damage. Keep packaging materials away from children.

### Location

Place the refrigerator on a level, stable surface. Ensure adequate clearance around the appliance for proper ventilation. This is a freestanding unit.

### Electrical Connection

Connect the refrigerator to a dedicated 120 Volt, 60 Hz, 15 Amp fused electrical outlet. The appliance uses a Type A - 2 pin (North American) power plug. Do not use extension cords.

### Water Line Connection (for Ice Maker)

A water supply line must be connected for the automatic ice maker to function. Refer to the detailed installation guide for specific instructions on connecting the water line to prevent leaks.

### Dimensions

The overall product dimensions are approximately 28.68 inches (D) x 35.86 inches (W) x 69.88 inches (H). Refer to the diagram below for detailed measurements to ensure proper fit and clearance.

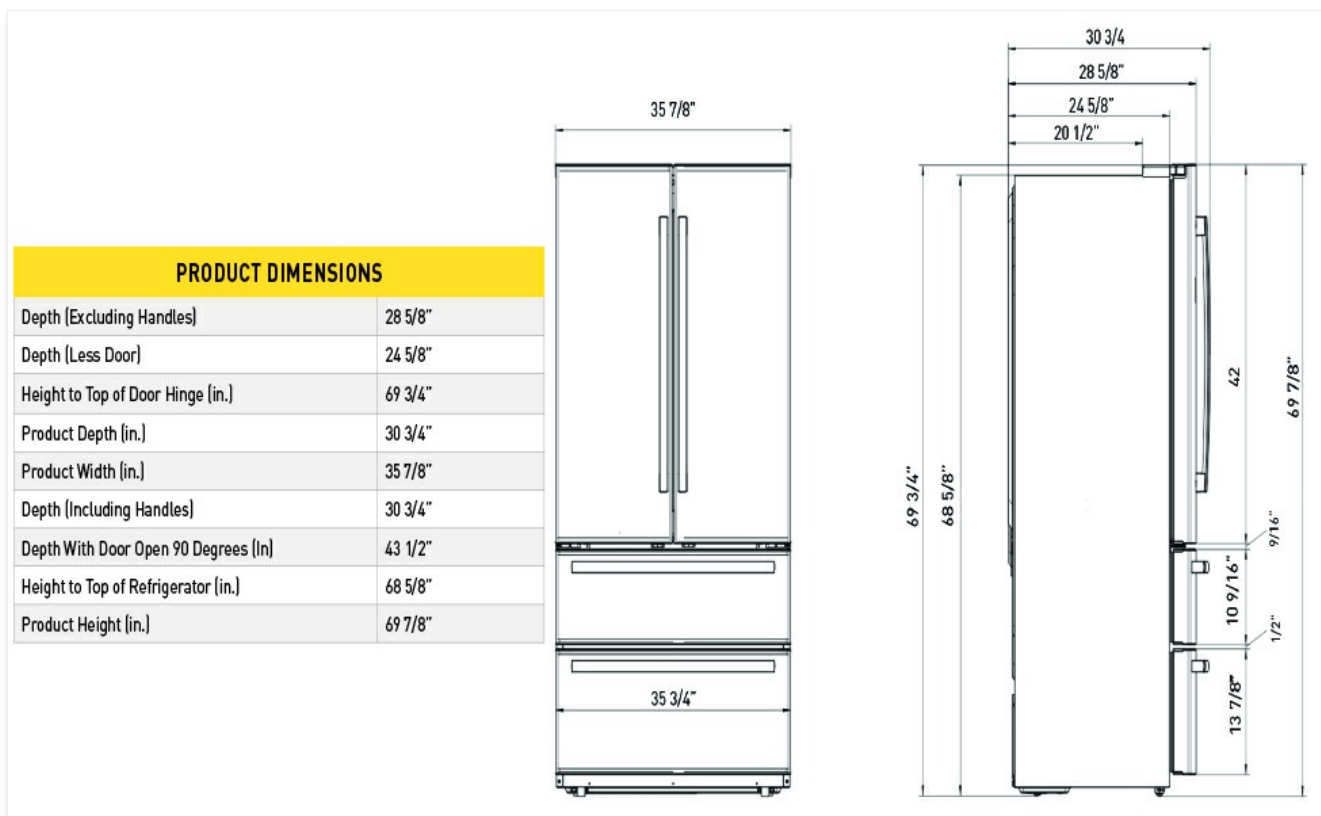


Figure 2: Product Dimensions Schematic.

## OPERATING INSTRUCTIONS

### Control Panel

The refrigerator features an external control panel on the left French door for easy temperature adjustments and feature activation.



Figure 3: Refrigerator Control Panel.

## Temperature Adjustment

Use the control panel to set desired temperatures for the refrigerator and freezer compartments. The appliance features adjustable temperature control.

## Automatic Ice Maker

The refrigerator is equipped with an automatic ice maker. Ensure the water supply is connected and turned on for ice production. The ice maker will automatically produce ice and store it in the freezer drawer.

## Storage Features

- **French Doors:** The upper section features French doors for wide access to the fresh food compartment.
- **Retractable Shelf:** A retractable shelf allows for flexible storage of taller items.
- **Humidity Controlled Drawers:** Two large humidity-controlled fresh food drawers help preserve fruits and

vegetables.

- **Chiller Drawer:** A full-width chiller drawer provides flexible storage for various items.
- **Freezer Drawers:** Two separate freezer drawers offer organized storage for frozen goods.

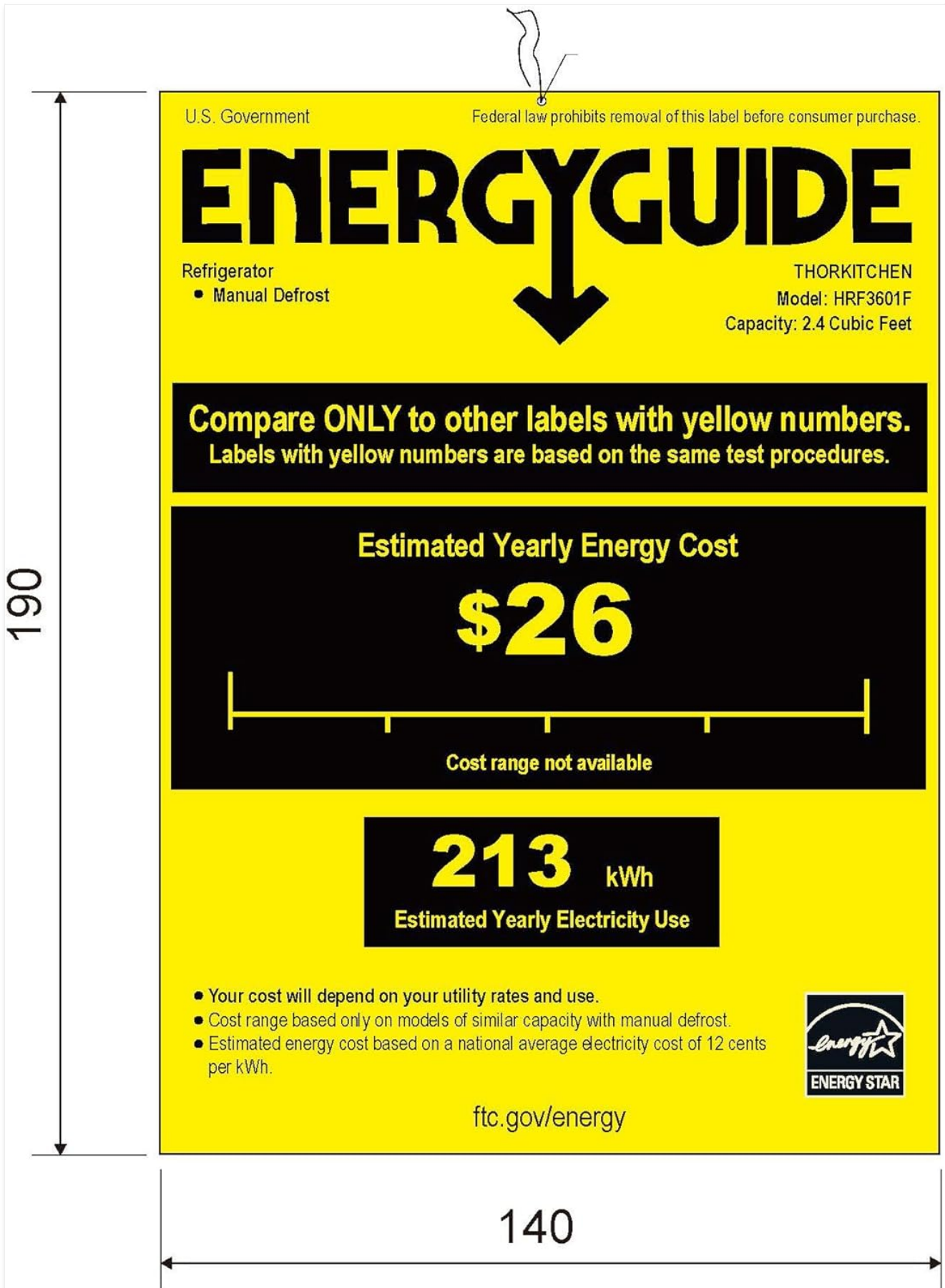


Figure 4: Refrigerator Interior with French Doors Open.



Figure 5: Freezer Drawer Open.

## Door Alarm

The refrigerator is equipped with a door alarm that sounds if a door is left open for an extended period, helping to maintain internal temperatures and save energy.

## CARE AND MAINTENANCE

---

### Cleaning the Interior

Clean the interior of the refrigerator regularly with a mild detergent and warm water. Wipe dry with a soft cloth. Remove shelves and drawers for thorough cleaning. Do not use abrasive cleaners or harsh chemicals.

### Cleaning the Exterior

Wipe the stainless steel exterior with a soft cloth and a stainless steel cleaner. Avoid using abrasive pads or cleaners that can scratch the surface.

### Defrost System

This refrigerator features an automatic hot gas defrost system, eliminating the need for manual defrosting.

### Ice Maker Maintenance

Periodically clean the ice storage bin. If the ice maker is not used for an extended period, turn it off and empty the ice bin to prevent ice from clumping.

## TROUBLESHOOTING

---

Before contacting customer service, review the following common issues and solutions:

- **Refrigerator not cooling:** Check if the power cord is securely plugged in. Ensure the temperature settings are correct. Verify that the doors are fully closed and sealed.

- **Ice maker not producing ice:** Confirm the water supply is connected and turned on. Check if the ice maker is switched on via the control panel. Ensure the water line is not frozen or kinked.
- **Unusual noises:** Some operational noises are normal (e.g., compressor hum, fan sounds). If noises are excessive or unusual, ensure the refrigerator is level and not touching walls or cabinets.
- **Water leakage:** Check the water line connection for tightness. Ensure the drain pan is correctly positioned and not overflowing.

## SPECIFICATIONS

Feature	Specification
Brand	Thor Kitchen
Model Name	HRF3601F
Product Dimensions (D x W x H)	28.68" x 35.86" x 69.88"
Refrigerator Net Capacity	15.16 Cubic Feet
Freezer Capacity	5.69 Cubic Feet
Total Capacity	20.85 Cubic Feet (approx.)
Color	Stainless Steel
Installation Type	Freestanding
Number of Doors	4 (French Door configuration)
Defrost System	Hot Gas Defrost (Automatic)
Voltage	120 Volts
Special Feature	Automatic Ice-Maker
Adjustable Temperature Control	Yes
Number Of Shelves	6
Item Weight	302 Pounds
Annual Energy Consumption	623 Kilowatt Hours Per Year
Specification Met	Energy Star
Refrigerant	R-134A
Included Components	2 Egg Trays, Ice scoop, Toe kick trim cover
Manufacturer	Hyxion Metal Industry Co.,Ltd

## WARRANTY INFORMATION

The Thor Kitchen HRF3601F Refrigerator comes with a **2 Year Parts and Labor Warranty**. Please retain your proof of purchase for warranty claims. For full terms and conditions, refer to the warranty documentation included with your appliance or visit the official Thor Kitchen website.

## CUSTOMER SUPPORT

---

For technical assistance, service requests, or questions regarding your Thor Kitchen HRF3601F Refrigerator, please contact Thor Kitchen customer support. You can find contact information on the official Thor Kitchen website or through your retailer.

Visit the [Thor Kitchen Store](#) for more information and products.