

Winflo Winflo 36CS

Winflo 36" Convertible Stainless Steel Under Cabinet Range Hood User Manual

Model: Winflo 36CS

1. INTRODUCTION

This manual provides detailed instructions for the installation, operation, and maintenance of your Winflo 36" Convertible Stainless Steel Under Cabinet Range Hood. Please read this manual thoroughly before installation and use to ensure proper function and safety.

Important Safety Information

- Always disconnect power before servicing or cleaning.
- Ensure proper ventilation and follow all local building codes.
- Do not operate the range hood with damaged wiring or if it is not functioning correctly.
- This appliance is intended for household use only.

2. PRODUCT OVERVIEW

The Winflo 36" Convertible Stainless Steel Under Cabinet Range Hood is designed to efficiently remove smoke, grease, and odors from your kitchen. It features a unique ventilation system with dual blowers, touch sensor controls, and energy-saving LED lights.

Key Features:

- Dual blowers providing 466 CFM airflow.
- Convertible installation (ducted or ductless/recirculating).
- Quiet operation (less than 65 dB at high speed).

- Durable, dishwasher-safe stainless steel baffle filters.
- Touch sensor control with time display.
- Two soft white LED lights.
- Patented "QUICKINSTALL" hardware for easy installation.

Components:



Figure 2.1: Front view of the Winflo 36-inch range hood, showing the stainless steel finish and central touch control panel.



Figure 2.2: Angled view of the range hood, highlighting the sleek design and baffle filters.



Figure 2.3: Top-rear angled view, showing the top mounting points and the exhaust opening.

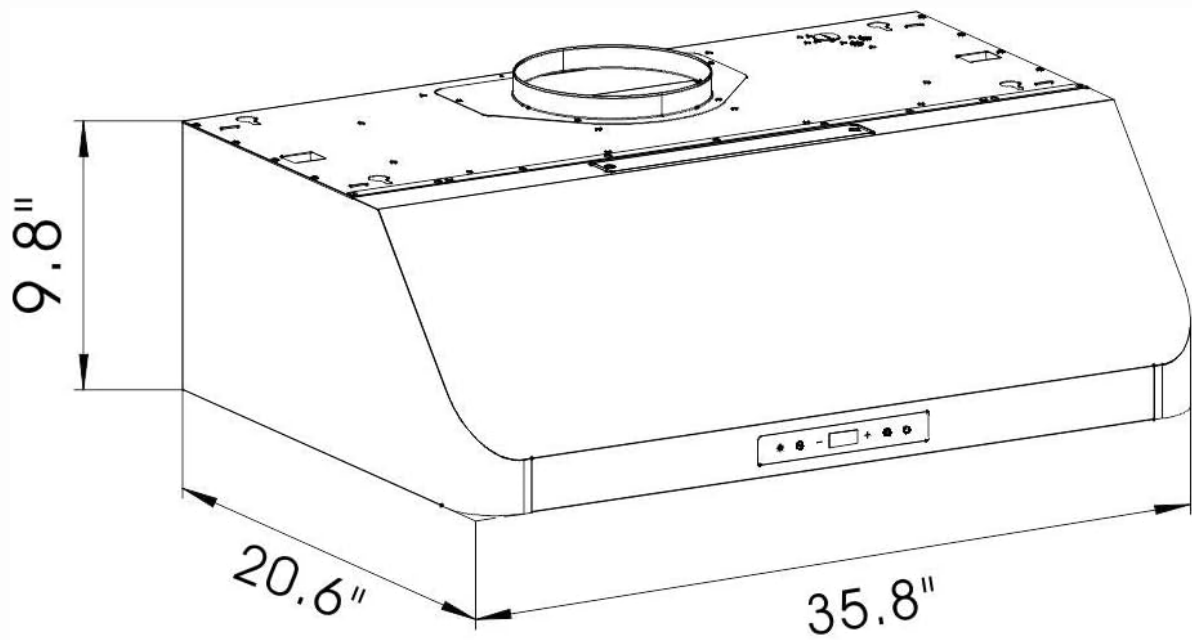


Figure 2.4: Dimensional drawing indicating the width (35.8"), depth (20.6"), and height (9.8") of the range hood.



Figure 2.5: Included components: Stainless Steel Grease Collector, Rectangular Duct (Optional), One-Person Installation Hardware, Installation Instruction manual, and Screws.



Figure 2.6: Close-up of a stainless steel baffle filter, designed for efficient grease capture and easy cleaning.



Figure 2.7: The Winflo range hood seamlessly integrated into a modern kitchen setting, demonstrating its aesthetic appeal and functional placement above a cooking area.

3. INSTALLATION

Pre-Installation Checklist:

- Verify all components are present as shown in Figure 2.5.
- Ensure adequate space under the cabinet for the 36-inch unit. Refer to Figure 2.4 for dimensions.
- Confirm electrical supply (120 Volts) is available.
- Decide on ventilation type: ducted (top 7" round, 3.25" x 10" rectangular, or back 3.25" x 10" rectangular) or ductless (recirculating).

Installation Steps (QUICKINSTALL System):

The Winflo range hood features a patented "QUICKINSTALL" system designed for one-person installation. Detailed steps are provided in the included Installation Instruction manual (Figure 2.5).

1. Prepare the cabinet: Mark mounting points according to the template provided in the full manual.
2. Install the "QUICKINSTALL" hardware: Secure the one-person installation brackets to the cabinet.
3. Mount the range hood: Lift and secure the range hood onto the installed brackets.
4. Connect electrical wiring: Follow local electrical codes.
5. Install ductwork (if ducted): Connect the appropriate ducting to the chosen vent location.
6. Install baffle filters and grease collector: Slide the stainless steel baffle filters into place and attach the grease collector.

For detailed diagrams and specific measurements, consult the full installation manual provided with your product.

4. OPERATING INSTRUCTIONS

The Winflo range hood is operated via a touch sensor control panel located on the front of the unit.

Control Panel Functions:

- **Power Button:** Turns the range hood on or off.
- **Fan Speed Control (+/-):** Adjusts the fan speed through 3 available settings.
- **Light Button:** Turns the LED lights on or off.
- **Time Display:** Shows the current time or fan speed setting.

Operation:

1. Press the Power Button to turn on the range hood.
2. Use the +/- buttons to select the desired fan speed. Higher speeds provide greater airflow (up to 466 CFM).
3. Press the Light Button to illuminate your cooking area.
4. Press the Power Button again to turn off the range hood.

5. MAINTENANCE

Regular maintenance ensures optimal performance and longevity of your Winflo range hood.

Cleaning the Baffle Filters:

The stainless steel baffle filters are designed to capture grease and are dishwasher safe for easy cleaning.

1. Ensure the range hood is turned off and disconnected from power.
2. Remove the baffle filters by sliding them out of their slots.
3. Place the filters in a dishwasher or wash them by hand with warm, soapy water.
4. Rinse thoroughly and allow to dry completely before re-installing.
5. Re-install the dry filters into their slots.

Cleaning the Exterior:

- Wipe the stainless steel exterior with a soft cloth and a non-abrasive stainless steel cleaner.
- Avoid using abrasive cleaners or scouring pads, as these can scratch the surface.
- Clean the grease collector regularly.

LED Light Replacement:

The LED lights are designed for long life. If replacement is necessary, consult a qualified technician or refer to the full product manual for specific instructions.

6. TROUBLESHOOTING

This section addresses common issues you might encounter with your range hood.

Problem	Possible Cause	Solution
---------	----------------	----------

Problem	Possible Cause	Solution
Range hood does not turn on.	No power supply; circuit breaker tripped.	Check power connection; reset circuit breaker.
Low suction power.	Clogged filters; improper ducting; fan speed too low.	Clean baffle filters; check ductwork for obstructions; increase fan speed.
Excessive noise.	Loose components; fan obstruction; improper installation.	Ensure all parts are secure; check for foreign objects in fan; verify installation.
Lights not working.	LED lights faulty; electrical connection issue.	Check connections; contact customer support for replacement.

If the problem persists after attempting these solutions, please contact Winflo customer support.

7. SPECIFICATIONS

Feature	Detail
Model	Winflo 36CS (W112B36D)
Material	Stainless Steel
Mounting Type	Under Cabinet Mount
Air Flow Capacity	466 CFM (at high speed)
Noise Level	Less than 65 dB (at high speed)
Number of Speeds	3
Controls Type	Touch Sensor
Light Source Type	LED
Filter Type	Baffle (Stainless Steel)
Voltage	120 Volts
Item Weight	57.6 pounds
Package Dimensions	33.27 x 25.79 x 15.16 inches
UPC	853509007724

8. WARRANTY AND SUPPORT

For warranty information and customer support, please refer to the official Winflo website or the warranty card included with your product. You may also contact Winslyn Industries LLC, the manufacturer, for assistance.

Manufacturer: Winslyn Industries LLC

Online Store: [Winflo Store on Amazon](#)

For technical support or parts inquiries, please have your model number (Winflo 36CS) and UPC (853509007724) ready.

© 2024 Winflo. All rights reserved.