

GROHE 29123000

GROHE 29123000 Grotherm SmartControl Thermostat Concealed Instruction Manual

Model: 29123000

1. PRODUCT OVERVIEW

The GROHE Grotherm SmartControl concealed thermostat provides precise control over your shower or bath experience. It features innovative SmartControl technology for adjusting water volume and integrated GROHE TurboStat technology to maintain consistent water temperature. The design includes GROHE EasyLogic markings and textured buttons for intuitive use.

Key features include:

- **SmartControl Technology:** Push to start and twist to adjust water volume.
- **GROHE TurboStat:** Prevents sudden temperature fluctuations.
- **GROHE SafeStop:** Override button to set a maximum temperature of 38°C, with an optional SafeStop Plus limiter for 43°C.
- **GROHE EcoJoy:** Water-saving technology for reduced flow rate without compromising performance.
- **GROHE QuickFix:** System designed for swift and straightforward installation.
- **GROHE StarLight:** Durable chrome finish that is scratch resistant and easy to maintain.



Image 1.1: Front view of the GROHE Grohtherm SmartControl Thermostat. This image shows the square chrome faceplate with two control knobs. The upper knob has a shower icon, and the lower knob features temperature markings with a '38' degree indicator.

2. SAFETY INFORMATION

Please read all instructions carefully before installation and use. Retain this manual for future reference.

- Installation must be performed by a qualified professional in accordance with local plumbing and building codes.
- Ensure the main water supply is turned off before beginning any installation or maintenance work.
- The GROHE SafeStop feature is designed to prevent scalding by limiting the maximum water temperature to 38°C. An optional SafeStop Plus limiter can further restrict the temperature to 43°C. Always test water temperature before use, especially for children or individuals with sensitive skin.
- This product must be installed in combination with the GROHE Rapido SmartBox (model 35600000). Failure to do so may result in improper function or damage.
- Do not use abrasive cleaners or solvents on the chrome finish, as this may damage the surface.

3. COMPONENTS LIST

The GROHE Grohtherm SmartControl Thermostat (Model 29123000) includes the following main components:

- Thermostat trim set (faceplate with control knobs)
- Mounting hardware
- Instruction manual

Note: The GROHE Rapido SmartBox (35600000) is a separate, essential component for installation and is not included with this trim set.



Image 3.1: Exploded view showing the GROHE Grohtherm SmartControl trim set, the underlying mounting plate, and the separate Rapido SmartBox rough-in unit. This illustrates how the components fit together during installation.

4. INSTALLATION INSTRUCTIONS

The GROHE Grohtherm SmartControl Thermostat is designed for concealed installation and requires the GROHE Rapido SmartBox (35600000) rough-in unit, which must be installed first within the wall.

4.1 Pre-Installation

- Ensure the Rapido SmartBox is correctly installed and secured according to its own instruction manual.

- Verify that the wall opening dimensions are appropriate for the trim set.

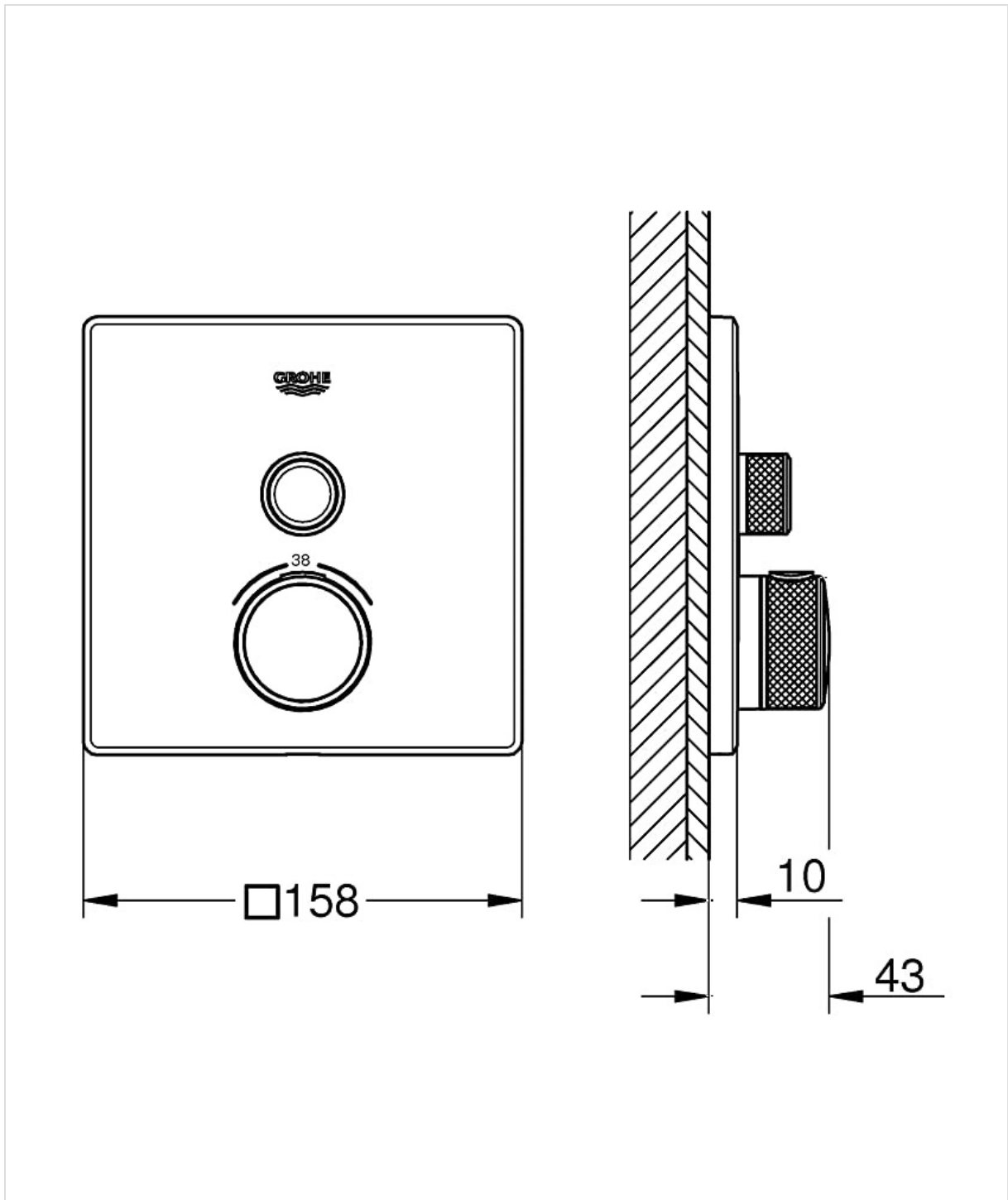


Image 4.1: Technical diagram showing the dimensions of the GROHE Grohtherm SmartControl Thermostat. The front plate measures 158mm by 158mm, and the installation depth from the finished wall surface is indicated.

4.2 Trim Set Installation

1. Carefully remove the protective cap from the Rapido SmartBox.
2. Attach the mounting plate to the SmartBox using the provided screws. Ensure it is level and securely fastened.
3. Connect the thermostat cartridge and control elements to the SmartBox according to the specific instructions provided with the Rapido SmartBox.
4. Position the chrome faceplate over the mounting plate, aligning the control shafts.
5. Secure the faceplate and attach the control knobs. Ensure they turn smoothly and engage correctly.
6. Turn on the main water supply and check for leaks.

4.3 Connection Diagrams

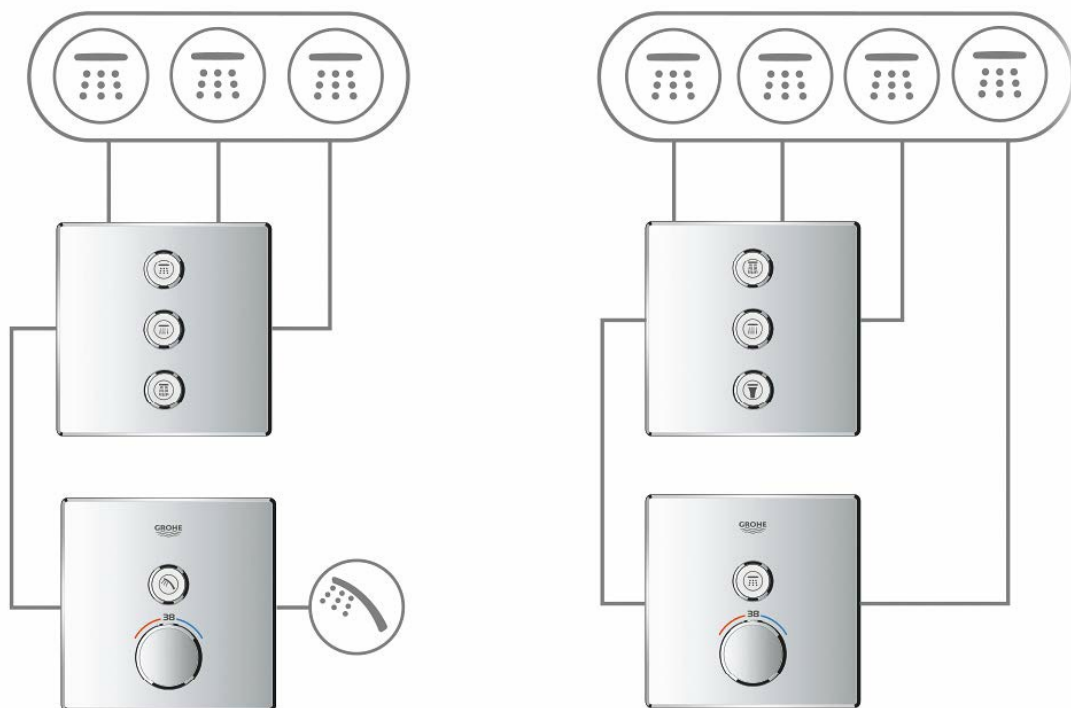
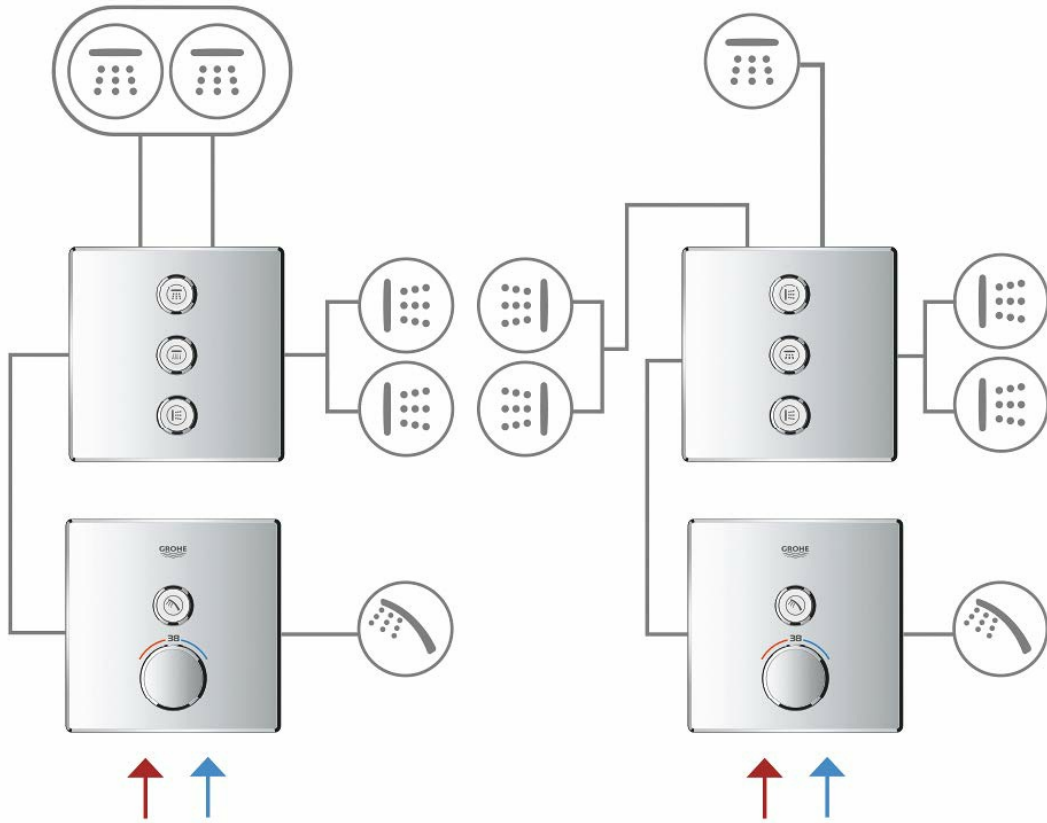




Image 4.2: Diagram illustrating potential plumbing configurations for the Grohtherm SmartControl system with multiple water outlets (e.g., hand shower, overhead shower, side jets). Red and blue arrows indicate hot and cold water inlets.





Image 4.3: Diagram illustrating a plumbing configuration for the Grohtherm SmartControl system with a single water outlet, such as a shower head or bathtub filler. Red and blue arrows indicate hot and cold water inlets.

5. OPERATING INSTRUCTIONS

The Grohtherm SmartControl thermostat offers intuitive control for your water flow and temperature.

5.1 Water Flow Control (SmartControl)

- **To Start/Stop Flow:** Press the desired SmartControl button (e.g., shower icon) to start the water flow. Press again to stop.
- **To Adjust Volume:** Rotate the SmartControl button clockwise to increase water volume and counter-clockwise to decrease it.

5.2 Temperature Control (TurboStat & SafeStop)

- **To Adjust Temperature:** Rotate the main temperature control knob. Turn towards the red marking for hotter water and towards the blue marking for colder water.
- **SafeStop Override:** The thermostat is factory-set with a SafeStop button at 38°C. To exceed 38°C,

press and hold the SafeStop button while turning the temperature knob further.

- **SafeStop Plus (Optional):** If enabled, an additional limiter at 43°C provides an extra layer of safety.

5.3 Water Saving (EcoJoy)

The GROHE EcoJoy technology allows you to reduce water consumption without compromising the showering experience. The SmartControl buttons may have a tactile stop or visual indicator for the EcoJoy flow rate. You can push past this point for full flow if desired.



Image 5.1: Close-up of the GROHE Grohtherm SmartControl Thermostat faceplate, highlighting the two control knobs. The upper knob controls water flow to a specific outlet, and the lower knob adjusts temperature, with a visible '38' degree safety stop.

6. MAINTENANCE

Regular cleaning and proper care will ensure the longevity and pristine appearance of your GROHE Grohtherm SmartControl Thermostat.

- **Cleaning:** Clean the surface with a soft cloth and mild soap or a specialized cleaner for chrome finishes. Rinse thoroughly with clean water and dry with a soft cloth to prevent water spots.
- **Avoid:** Do not use abrasive sponges, scouring agents, or cleaners containing alcohol, hydrochloric acid, formic acid, acetic acid, or phosphoric acid, as these can damage the GROHE StarLight chrome finish.
- **Lime Scale:** In areas with hard water, regular cleaning helps prevent lime scale buildup.

7. TROUBLESHOOTING

If you experience issues with your Grohtherm SmartControl Thermostat, refer to the following common problems and solutions:

Problem	Possible Cause	Solution
No water flow or low flow.	Main water supply off; clogged filters; SmartControl button not fully pressed or turned.	Check main water supply; clean filters (refer to Rapido SmartBox manual); ensure SmartControl button is fully engaged and turned to desired volume.
Water temperature fluctuates.	Insufficient hot/cold water supply; issue with TurboStat cartridge.	Check hot/cold water pressure; if problem persists, contact a qualified plumber to inspect the thermostat cartridge.
Cannot exceed 38°C.	SafeStop feature engaged.	Press and hold the SafeStop override button while turning the temperature knob past 38°C.
Leaks from the trim set.	Improper installation; damaged seals.	Turn off water supply immediately. Recheck installation steps or contact a qualified plumber for inspection and repair.

For issues not listed here or if troubleshooting steps do not resolve the problem, please contact GROHE customer support or a certified plumber.

8. SPECIFICATIONS

Model Number	29123000
Brand	GROHE
Material	Brass
Exterior Finish	Chrome
Item Dimensions (L x W x H)	7.09 x 13.58 x 5.79 inches
Item Weight	1 Kilogram
Inlet Connection Type	Compression
Outlet Connection Type	Compression
Number of Ports	1

Valve Type	Disc Valve
Specification Met	ASME, NSF, EPA
Included Components	Thermostat Trim Set

9. WARRANTY AND SUPPORT

This GROHE product comes with a **5 Year Manufacturer's Warranty**. Please retain your proof of purchase for warranty claims.

For technical support, warranty claims, or to purchase replacement parts, please contact GROHE customer service through their official website or authorized distributors. When contacting support, please have your model number (29123000) and purchase date available.

Official GROHE Website: www.grohe.com