

[Manuals.plus](#) /

> [Audibax](#) /

> Audibax Neo 20 Black Professional Speaker Wall Mount (Model 10091705) Instruction Manual

Audibax Neo 20 (10091705)

Audibax Neo 20 Black Professional Speaker Wall Mount (Model 10091705) Instruction Manual

For optimal sound projection and space-saving solutions

INTRODUCTION

The Audibax Neo 20 Black Professional Speaker Wall Mount is designed to securely hold professional loudspeakers, optimizing sound projection and saving valuable space. This manual provides essential information for the safe installation, proper operation, and routine maintenance of your speaker wall mount. Please read these instructions thoroughly before proceeding with installation or use.

SAFETY INFORMATION

- Always read and understand all instructions before attempting installation.
- Ensure the mounting surface (wall) is structurally sound and capable of supporting the combined weight of the speaker mount and the speaker. Consult a professional if unsure.
- Use appropriate tools and hardware for installation. Incorrect hardware or installation methods can lead to product failure and injury.
- Do not exceed the maximum weight limit of **25 kg (55 lbs)** for this speaker mount.
- Keep children and pets away from the installation area.
- Periodically check all connections and fasteners to ensure they remain secure.

WHAT'S IN THE BOX

The Audibax Neo 20 Black Professional Speaker Wall Mount package typically includes:

- Audibax Neo 20 Wall Mount Unit
- Mounting Hardware (screws, anchors, etc. - specific types may vary)
- Instruction Manual

Note: Please verify all components are present before beginning installation.

SETUP (INSTALLATION)

Follow these steps to install your Audibax Neo 20 speaker wall mount:

1. **Select Mounting Location:** Choose a suitable wall location that can support the weight and provides the desired sound projection. Ensure there are no hidden electrical wires or plumbing in the wall.
2. **Mark Drilling Points:** Hold the wall plate of the mount against the wall at the desired height and use a pencil to mark the drilling points. Use a level to ensure the plate is straight.
3. **Drill Holes:** Drill pilot holes at the marked points using an appropriate drill bit size for your wall type and mounting hardware. Insert wall anchors if necessary.
4. **Secure Wall Plate:** Attach the wall plate firmly to the wall using the provided screws. Ensure it is tightly secured and stable.
5. **Attach Speaker Arm:** Connect the adjustable speaker arm to the wall plate. Ensure all bolts and nuts are tightened securely.
6. **Mount Speaker:** Carefully place your professional speaker onto the 35mm universal socket of the mount. Ensure the speaker is fully seated and stable.



Image: Audibax Neo 20 speaker wall mount showing its main components.



Image: Close-up view of the mount's connection points and robust construction.

OPERATING (ADJUSTMENTS)

The Audibax Neo 20 mount offers flexible adjustments to optimize your speaker's sound projection:

- **Horizontal Adjustment:** The arm can be adjusted horizontally to position the speaker further from or closer to the wall. Loosen the relevant bolts, adjust the arm, and re-tighten firmly.
- **Vertical Tilt:** The speaker can be tilted vertically to direct sound upwards or downwards. Loosen the tilt adjustment bolts, set the desired angle, and re-tighten securely.
- **Swivel/Rotation:** The mount allows for swiveling the speaker left or right to cover a wider listening area. Loosen the swivel mechanism, rotate the speaker, and then secure it in place.

Always ensure all adjustment bolts are securely tightened after making any changes to prevent accidental movement or speaker fall.

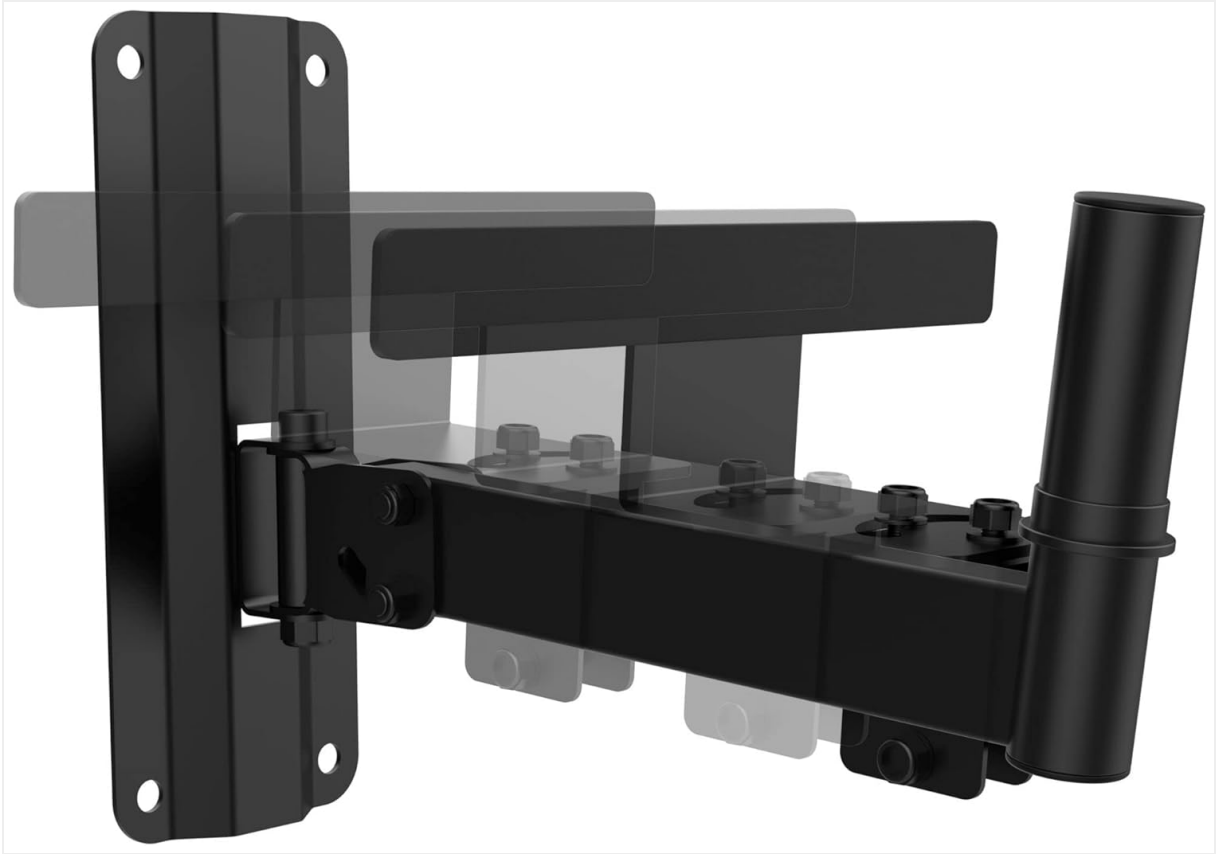


Image: The mount demonstrating its horizontal adjustment capability.



Image: The mount illustrating its vertical tilt functionality.



Image: Top-down view of the mount, highlighting its swivel rotation feature.



Image: A professional speaker securely mounted on the Audibax Neo 20 wall mount.

MAINTENANCE

To ensure the longevity and safe operation of your Audibax Neo 20 speaker wall mount:

- **Regular Inspection:** Periodically inspect all bolts, screws, and connections to ensure they are tight and secure. Re-tighten any loose fasteners.
- **Cleaning:** Clean the mount with a soft, dry cloth. Do not use abrasive cleaners, solvents, or harsh chemicals, as these may damage the finish.
- **Weight Check:** Always ensure that the weight of your speaker does not exceed the maximum weight capacity of the mount.

TROUBLESHOOTING

Problem	Possible Cause	Solution
Mount feels unstable or wobbly	Loose fasteners; inadequate wall support; excessive speaker weight	Re-check all installation steps. Ensure all screws and bolts are securely tightened. Verify the wall can support the load. Confirm speaker weight is within the 25 kg limit.

Problem	Possible Cause	Solution
Speaker does not stay in adjusted position	Adjustment bolts are not tight enough	Firmly tighten all adjustment bolts after positioning the speaker.
Speaker does not fit the mount socket	Incompatible speaker pole diameter	Ensure your speaker has a standard 35mm pole socket for compatibility.

SPECIFICATIONS

- **Model:** Neo 20 (10091705)
- **Brand:** Audibax
- **Color:** Black
- **Material:** Metal
- **Mounting Type:** Wall Mount
- **Maximum Weight Supported:** 25 Kilograms (55 lbs)
- **Product Dimensions (L x W x H):** 43 x 28 x 10 centimeters (approximately 16.9 x 11 x 3.9 inches)
- **Speaker Socket Diameter:** Universal 35mm
- **Adjustments:** Horizontal, Vertical Tilt, Swivel
- **Country of Origin:** China

WARRANTY AND SUPPORT

Warranty: No specific warranty information is provided in the product details. Please refer to your purchase documentation, retailer, or the official Audibax website for detailed warranty terms and conditions.

Support: For technical assistance, installation queries, or any other product-related support, please contact Audibax customer service through their official channels or the retailer from whom you purchased the product.