

[Manuals.plus](#) /

> [SANIFLO](#) /

> SANIFLO Sanimarin 4 Electric Marine Macerating Toilet (24V) - Model 072 User Manual

## SANIFLO 072

# SANIFLO Sanimarin 4 Electric Marine Macerating Toilet (24V) - Model 072 User Manual

Brand: SANIFLO | Model: Sanimarin 4 (Model 072)

## 1. PRODUCT OVERVIEW

---

The SANIFLO Sanimarin 4 is an electric marine macerating toilet designed for comfort and practicality in marine environments. It features a robust construction with a stainless steel macerating blade for efficient waste processing. This model operates on a 24V electrical system and includes a control panel for versatile flush options.



Image 1.1: Front view of the SANIFLO Sanimarin 4 Electric Marine Macerating Toilet.

**Key Features:**

- **Comfortable Standard Height:** Designed to offer the feel of a traditional toilet.
- **Durable Construction:** Built for marine longevity with a powerful stainless steel macerating blade.
- **Versatile Flush Options:** Control panel offers economical (0.63 gallons) and normal (0.79 gallons) flush settings, adjustable up to 1 gallon.
- **Quiet Operation:** Engineered for reduced noise during use.
- **Integrated Control Panel:** For easy operation and flush selection.

## 2. INSTALLATION AND SETUP

This section provides guidelines for installing your Sanimarin 4 electric marine macerating toilet. Proper installation ensures optimal performance and longevity.

### 2.1 Pre-Installation Checklist

- Ensure a stable, level surface for mounting.
- Verify availability of a 24V power supply with a dedicated 25 amp circuit.
- Confirm access to a pressurized fresh water supply.
- Prepare necessary plumbing connections for water inlet and waste discharge.

### 2.2 Mounting the Toilet

The Sanimarin 4 is designed for floor mounting. Use the provided mounting hardware to secure the toilet firmly to the floor. The discharge outlet is located at the top left rear when facing the toilet.



Image 2.1: Diagram illustrating key features including mounting hardware and discharge capabilities.

## 2.3 Plumbing Connections

- **Water Inlet:** Connect the pressurized fresh water line to the toilet's water inlet. A standard toilet connector hose with appropriate adapters can be used.
- **Waste Discharge:** Connect the waste discharge outlet (1-1/4" diameter) to your vessel's waste system. A Fernco adapter may be required for connection. The macerating system allows for flexible installation, with waste discharge up to 10 feet vertically and/or 100 feet horizontally.

## 2.4 Electrical Connections

Connect the toilet to a dedicated 24V DC power supply. Ensure all electrical connections are secure and properly insulated according to marine electrical standards. The control panel connects to the toilet unit and the power supply.



Image 2.2: Example installation of the Sanimarin 4 in a marine bathroom setting.

## 3. OPERATING INSTRUCTIONS

---

The Sanimarin 4 is operated via its integrated control panel, offering different flush modes for efficiency and convenience.

Sanimarin<sup>®</sup> 4

## CONTROL SYSTEM



- “Power On” and “Tank Full” indicator lights. (Optional connection to your black water tank gauge).
- Economical flush (0.63 gallons), normal flush (0.79 gallons). Adjustable to up to 1 gallon.
- “Empty” button removes water from the bowl. Used for maintenance as well.



Image 3.1: The Sanimarin 4 control panel with flush options.

### 3.1 Control Panel Functions

- **Power On/Tank Full Indicator:** The control panel includes indicator lights for power status and an optional connection for a black water tank gauge to show "Tank Full" status.
- **ECO Flush:** Press the "ECO" button for an economical flush, using approximately 0.63 gallons of water.
- **NORMAL Flush:** Press the "NORMAL" button for a standard flush, using approximately 0.79 gallons of water.
- **EMPTY Button:** Press the "EMPTY" button to remove water from the bowl. This function is also used for maintenance procedures.

The flush volume can be adjusted up to 1 gallon if needed, consult the detailed installation guide for adjustment

procedures.

## 4. MAINTENANCE

---

Regular maintenance ensures the efficient and hygienic operation of your Sanimarin 4 toilet.

- **Regular Cleaning:** Clean the toilet bowl and exterior regularly using mild, non-abrasive cleaners suitable for marine use. Avoid harsh chemicals that can damage seals or internal components.
- **Winterization:** If the vessel will be stored in freezing temperatures, ensure the system is properly winterized to prevent damage from ice expansion. This typically involves flushing with non-toxic antifreeze.
- **Macerator Inspection:** Periodically inspect the macerator blade area for any obstructions. Use the "EMPTY" function on the control panel to clear the bowl before inspection.
- **Seal Check:** Check all plumbing connections and seals for leaks.

## 5. TROUBLESHOOTING

---

This section addresses common issues you might encounter with your Sanimarin 4 toilet.

Problem	Possible Cause	Solution
Toilet does not flush or motor does not run.	No power, tripped circuit breaker, faulty wiring, motor issue.	Check 24V power supply. Inspect circuit breaker. Verify electrical connections. If issues persist, contact support.
Weak flush or insufficient water in bowl.	Low water pressure, clogged water inlet, flush volume setting.	Check water supply pressure. Inspect water inlet for clogs. Adjust flush volume setting if necessary.
Unusual noise during operation.	Obstruction in macerator, worn motor components.	Use "EMPTY" function, then carefully inspect macerator for foreign objects. If noise persists, contact support.
Leaking from connections.	Loose connections, damaged seals.	Tighten all plumbing connections. Inspect and replace any damaged seals or hoses.

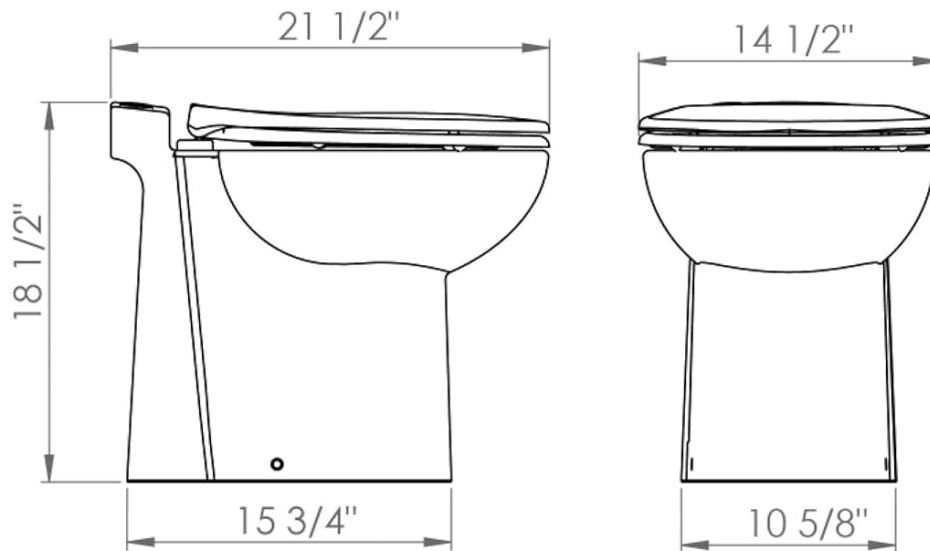
For issues not listed here or if troubleshooting steps do not resolve the problem, please contact SANIFLO customer support.

## 6. SPECIFICATIONS

---

Detailed technical specifications for the SANIFLO Sanimarin 4 Electric Marine Macerating Toilet (Model 072).

## DIMENSIONS



Sanimarin<sup>®</sup> 4

 SFA<sup>USA</sup>  
Saniflo

Image 6.1: Dimensional drawing of the Sanimarin 4 toilet.

- **Model:** Sanimarin 4 (Model 072)
- **Voltage:** 24 Volts DC
- **Material:** Porcelain bowl, Stainless Steel blade
- **Color:** White
- **Installation Type:** Floor Mounted
- **Product Dimensions:** 19.5 x 14.5 x 17.5 inches (Length x Width x Height)
- **Item Weight:** 52.5 Pounds
- **Flush Volume (Economical):** 0.63 gallons
- **Flush Volume (Normal):** 0.79 gallons (Adjustable up to 1 gallon)
- **Waste Discharge:** Up to 10 ft vertical, 100 ft horizontal
- **Included Components:** RV Toilet, Control Panel, Soft-close seat, Mounting hardware
- **UPC:** 859925002725

## 7. WARRANTY AND SUPPORT

---

SANIFLO is committed to providing reliable products and customer support.

### 7.1 Customer Support

For technical assistance, troubleshooting, or inquiries regarding your Sanimarin 4 toilet, please contact SANIFLO customer support. SANIFLO offers local U.S. support, including phone assistance and a network of trained professionals nationwide.

Refer to the official SANIFLO website or your purchase documentation for the most current contact information and warranty details.

### 7.2 Environmental Commitment

SANIFLO is recognized by EcoVadis for its commitment to eco-friendly innovation and sustainable bathroom solutions.

