



Manuals.plus /

- › AEG /
- › AEG BPS331120M Electric Oven User Manual

AEG BPS331120M

AEG BPS331120M Electric Oven User Manual

Model: BPS331120M

INTRODUCTION AND SAFETY INFORMATION

Thank you for choosing an AEG appliance. This user manual provides essential information for the safe and efficient operation of your new AEG BPS331120M electric oven. Please read these instructions carefully before installation and use, and keep them for future reference.

General Safety Warnings

- Ensure the appliance is correctly installed by a qualified person before use.
- Do not allow children to operate or play with the oven. The appliance features a child safety lock.
- The oven surfaces can become hot during operation. Use oven mitts when handling hot dishes or oven components.
- Never use flammable liquids or materials near the oven.
- Disconnect the appliance from the power supply before any cleaning or maintenance.
- Do not attempt to repair the appliance yourself. Contact authorized service personnel for repairs.

SETUP AND INSTALLATION

Proper installation is crucial for the safe and optimal performance of your oven. Refer to the installation diagram for precise measurements.

Installation Dimensions

The AEG BPS331120M oven is designed for integrated installation. Ensure your cabinet opening meets the following requirements:

- **Installation Compartment Height:** 60 cm
- **Installation Compartment Width:** 56 cm
- **Installation Compartment Depth:** 55 cm

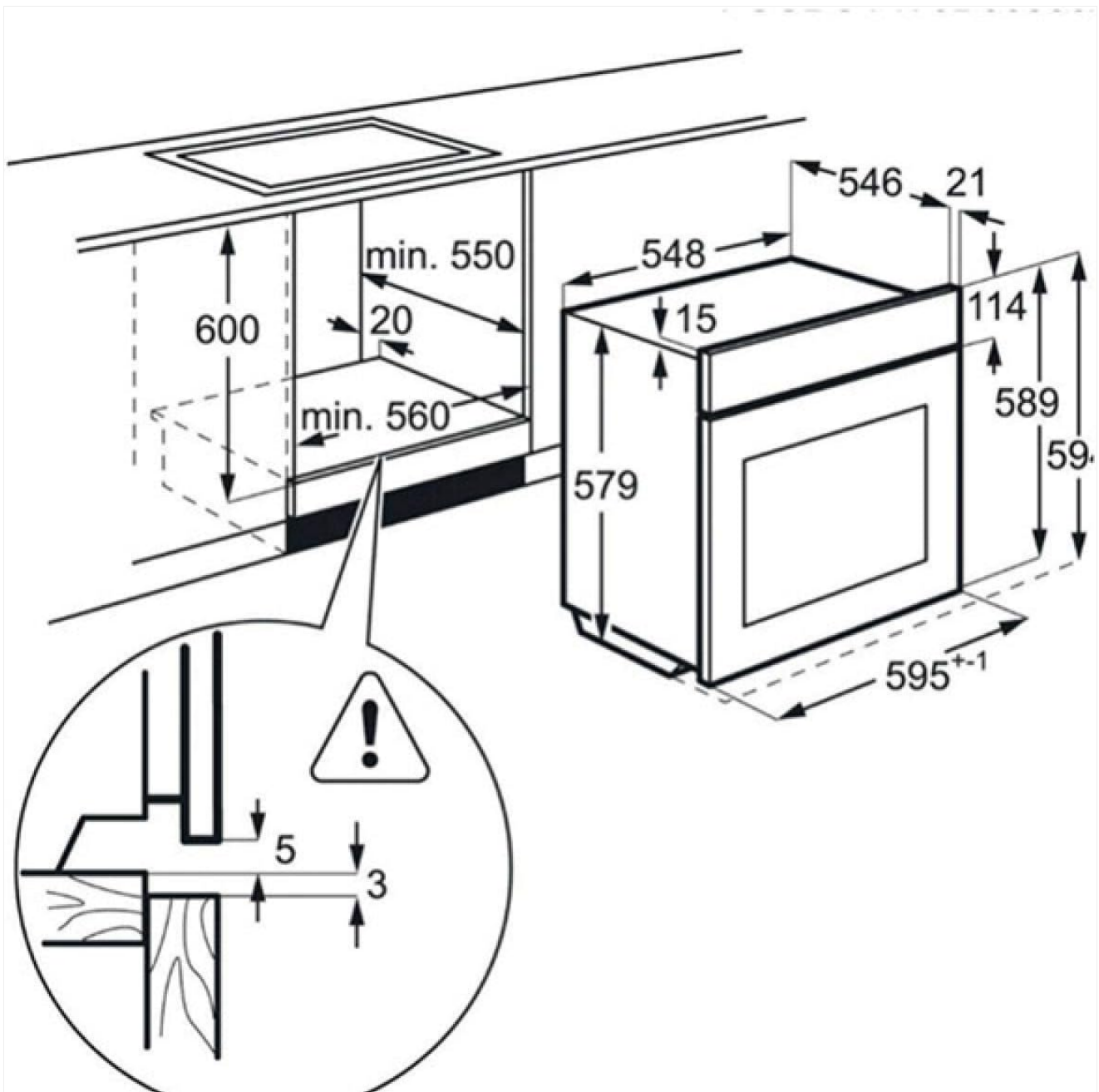


Image: Detailed installation diagram illustrating the required dimensions for integrating the AEG BPS331120M oven into a kitchen cabinet. Measurements are provided in millimeters for height, width, and depth of the appliance and the cabinet opening.

Electrical Connection

The oven requires a 230V AC, 50Hz power supply. The connected load is 3000W. Ensure the electrical installation is compliant with local regulations and performed by a qualified electrician.

Initial Cleaning

Before first use, clean the oven interior and accessories with warm water and a mild detergent. Rinse thoroughly and dry. Run the oven empty at a high temperature (e.g., 200°C) for about an hour to burn off any manufacturing residues, ensuring good ventilation during this process.

OPERATING INSTRUCTIONS

Your AEG BPS331120M oven features intuitive controls and multiple cooking functions to enhance your culinary experience.

Control Panel Overview

The oven is equipped with an LCD display and tactile controls, complemented by retractable knobs for a sleek design and easy cleaning.



Image: The AEG BPS331120M electric oven shown in a modern kitchen setting, actively baking pastries. The sleek stainless steel finish and the digital control panel with retractable knobs are clearly visible.

Cooking Functions

Select the desired cooking function using the control knobs and tactile buttons:

- **Convection Cooking:** Ideal for baking and roasting on multiple levels. The fan ensures even heat distribution.
- **Grill:** For browning and toasting.
- **Defrost Function:** Gently thaws frozen food.
- **Keep Warm Function:** Maintains food at serving temperature.
- **Turbo Mode:** Provides rapid heating for quicker cooking.



Image: A close-up view of the interior of the AEG BPS331120M oven, highlighting the powerful convection fan located at the rear. This fan is essential for even heat distribution during cooking.

Temperature and Time Settings

Adjust the temperature and cooking time using the control knobs and the LCD display. The electronic clock allows for precise timing of your cooking processes.

Interior Light

The oven is equipped with two halogen interior lights, allowing you to monitor your food without opening the door.

Child Safety Lock

Activate the child safety lock to prevent accidental operation by children. Refer to the display instructions for activation and deactivation.



Image: The spacious interior of the AEG BPS331120M oven, showing the two included oven racks and a baking tray. The design allows for flexible placement of dishes for various cooking needs.

CLEANING AND MAINTENANCE

Regular cleaning and maintenance will ensure the longevity and optimal performance of your oven.

Pyrolytic Self-Cleaning

The AEG BPS331120M features a pyrolytic cleaning function, which heats the oven to a very high temperature, turning food residues into ash that can be easily wiped away. Follow the instructions on the display to initiate a pyrolytic cycle.

Easy to Clean Features

- **Removable Oven Door:** The oven door can be easily removed for thorough cleaning of the interior and glass panels.
- **Removable Glass Panels:** The four glass panels of the oven door can be separated for cleaning, ensuring no residue is trapped between them.
- **Fingerprint Resistant:** The stainless steel finish is designed to resist fingerprints, making external cleaning simpler.



Image: A detailed view of the AEG BPS331120M oven door, illustrating how the multiple glass panels can be removed and separated for comprehensive cleaning, ensuring no dirt or grease remains trapped.

General Cleaning

For daily cleaning, use a soft cloth with warm soapy water. Avoid abrasive cleaners or scouring pads, especially on the glass and stainless steel surfaces.

TROUBLESHOOTING

If you encounter issues with your oven, consult this section before contacting service.

Common Issues and Solutions

- **Oven not heating:** Check if the oven is properly connected to the power supply and if the circuit breaker has tripped. Ensure the correct cooking function and temperature are selected.
- **Display not working:** Verify power supply. If the issue persists, a power cycle (turning off and on at the main switch) might resolve it.
- **Uneven cooking:** Ensure food is placed correctly on the racks and that the convection fan is operating. Avoid

overcrowding the oven.

Residual Heat Indicator

The oven features a residual heat indicator. This light will remain on until the oven has cooled down to a safe temperature, indicating that the interior is still hot.

TECHNICAL SPECIFICATIONS

Feature	Specification
Model Number	BPS331120M
Brand	AEG
Type	Electric Oven
Capacity	71 Litres
Energy Efficiency Class	A+
Connected Load	3000 W
Voltage	230 V
Frequency	50 Hz
Dimensions (H x W x D)	59.4 x 59.5 x 56.7 cm
Noise Level	48 dB
Cleaning Type	Pyrolytic
Control Type	Tactile, Retractable Knobs
Display Type	LCD
Special Features	Integrated Clock, Interior Light, Cool Door, Child Lock, Integrated Display, Fingerprint Resistant

WARRANTY INFORMATION

For detailed warranty terms and conditions, please refer to the warranty card included with your appliance or visit the official AEG website. Keep your proof of purchase for any warranty claims.

CUSTOMER SUPPORT

If you require further assistance, technical support, or service, please contact AEG customer service. Contact details can typically be found on the AEG website or in the documentation provided with your oven.

You can also visit the official AEG store for more information: [AEG Store on Amazon](#)

