

[Manuals.plus](#) /

› [NEEWER](#) /

› Neewer Wall Mounting Triangle Boom Arm Instruction Manual

NEEWER WB-1250-1

Neewer Wall Mounting Triangle Boom Arm Instruction Manual

Model: WB-1250-1

Brand: NEEWER

1. INTRODUCTION

The Neewer Wall Mounting Triangle Boom Arm is designed to provide a space-saving and versatile solution for mounting various photography and studio equipment. Its robust construction and adjustable features make it ideal for professional and home studio environments, allowing for flexible lighting and equipment positioning without occupying floor space.



Figure 1: Neewer Wall Mounting Triangle Boom Arm with accessories.

2. PACKAGE CONTENTS

Please verify that all items listed below are included in your package:

- 1 x Neewer Wall-Mounted Boom Arm (Model: WB-1250-1)
- 4 x Expansion Screws

Product Parameter

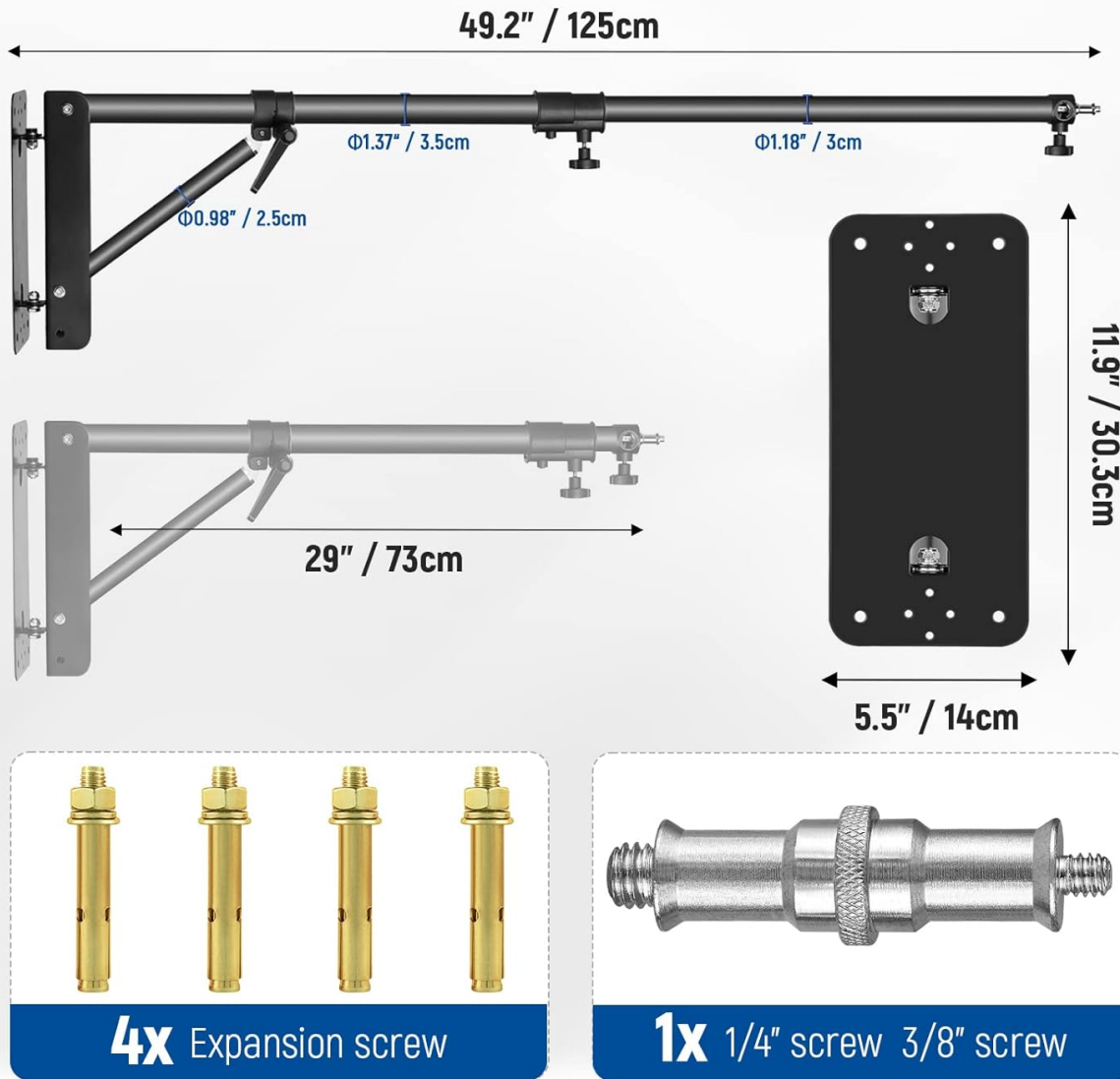


Figure 2: Package contents and key dimensions.

3. PRODUCT FEATURES

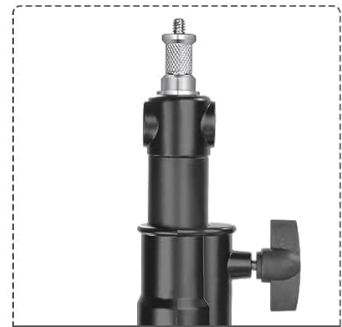
- **Wide Application:** Designed for photography strobe lights, monolights, ring lights, softboxes, umbrellas, reflectors, and microphones.
- **Adjustable Length:** The boom arm can be extended up to 4.1 feet (125cm) to meet various setup requirements.
- **Dual-Swivel Design:** Allows for 0° to 180° rotation both up/down and side-to-side, offering extensive angle adjustments. It can also fold flat against the wall for space-saving storage.
- **Secure Mounting:** Includes 4 expansion screws for firm and secure installation on solid walls.
- **Triangle Structure:** Enhances the stability of the boom arm.

Product Details



Adjustable Length

The length of the boom can be adjusted from 78.5cm to 125cm



Compatibility

With 1/4" and 3/8" threads, it's suitable for various devices



Safe And Solid

With the help of expansion screws, the wall bracket can be securely attached to the wall



Adjustable Angle

The wall mounting extension arm can be adjusted up and down & left and right

Figure 3: Key features of the boom arm.

4. SETUP & INSTALLATION

Proper installation is crucial for the stability and safety of your equipment. This boom arm is designed for mounting on solid walls.

4.1 Mounting the Base Plate

- 1. Drill Holes:** Identify the desired mounting location on a solid wall. Use a drill to create four holes that match the spacing of the base plate and the size of the provided expansion screws.
- 2. Insert Expansion Bolts:** Remove the nuts and washers from the expansion screws. Insert the expansion bolts into the drilled holes.
- 3. Attach Base Plate:** Align the mounting arm wall bracket with the inserted expansion bolts. Replace the washers and nuts, then tighten them securely. The tightening process will cause the metal sleeve of the expansion bolt to expand, firmly securing the bracket to the wall.

Expansion Bolt

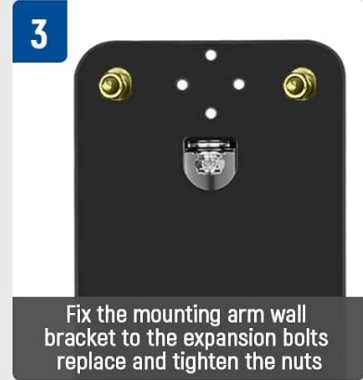
Includes 4 expansion bolts. Once inserted into a pre drilled hole, the nut is tightened causing the metal sleeve to expand, which aids in securely mounting the boom to the wall.



1 Drill holes in the wall to fit each bolt



2 Remove the nuts and insert the bolts into the holes



3 Fix the mounting arm wall bracket to the expansion bolts replace and tighten the nuts



4 Securely attach your photography equipment to the boom arm



5 Lengthen or shorten the boom arm according your needs



6 The installation is finished

Figure 4: Installation steps for the boom arm.



Figure 5: Detail of an expansion bolt.

4.2 Attaching the Boom Arm

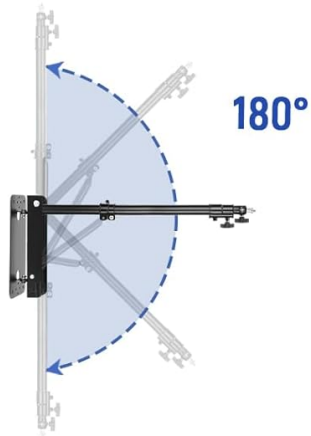
The boom arm is pre-assembled to the wall bracket. Ensure all pivot points are tightened before use.

4.3 Adjusting Length and Angle

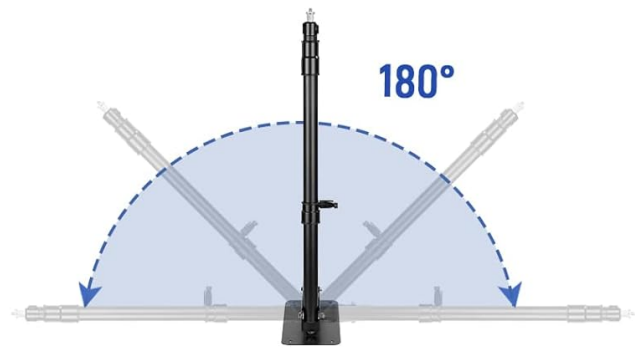
The boom arm features adjustment knobs to control its length and angle. Loosen the knobs to adjust, then tighten firmly to secure the desired position.

Convenient Angel Adjustment

Dual-swivel, up and down or side to side from 0° to 180°



180 ° front and rear



180 ° left and right



Figure 6: Convenient angle adjustment.

5. OPERATION & USAGE

5.1 Attaching Equipment

The boom arm is equipped with a universal adapter (1/4" and 3/8" screw threads) suitable for most photography equipment. Securely attach your strobe light, monolight, ring light, softbox, or reflector to the end of the boom arm.

Wide Compatibility

The wall mounting boom arm is suitable for most photography equipment



Figure 7: Wide compatibility with various equipment.

5.2 Adjusting Position

Once your equipment is attached, you can adjust the boom arm's position by loosening the relevant knobs, moving the arm to the desired angle or extension, and then tightening the knobs firmly. The dual-swivel design allows for precise positioning to achieve optimal lighting angles.

6. MAINTENANCE

- Regularly inspect all screws and bolts to ensure they remain tight and secure.
- Keep the boom arm clean by wiping it with a soft, dry cloth. Avoid abrasive cleaners.
- Do not exceed the maximum load capacity of the boom arm (refer to specifications).

7. TROUBLESHOOTING

Problem	Possible Cause	Solution
Boom arm feels unstable after installation.	Mounting screws are loose or not properly installed. Wall material is not solid.	Ensure all expansion screws are fully tightened. Verify the wall is solid and suitable for mounting. Consult a professional if unsure.
Difficulty adjusting arm length or angle.	Adjustment knobs are too tight or mechanism is stiff.	Loosen adjustment knobs sufficiently before attempting to move the arm. Apply a small amount of silicone lubricant if the mechanism is stiff.
Equipment slips from the boom arm.	Equipment not securely fastened to the adapter.	Ensure your equipment is properly screwed onto the 1/4" or 3/8" thread and tightened.

8. SPECIFICATIONS

- **Model:** WB-1250-1
- **Material:** Aluminum Alloy
- **Max Length:** 49.2 inches (125 cm)
- **Min Length:** Approximately 29 inches (73 cm)
- **Rotation Angle:** 180 degrees (up/down, left/right)
- **Mounting Type:** Wall-mounted (requires solid wall)
- **Compatibility:** 1/4" and 3/8" screw threads
- **Product Dimensions:** 29.5 x 8.3 x 3.9 inches
- **Item Weight:** 5.7 pounds
- **Max Load Capacity:** 4kg (8.8 lbs) - *Note: Some manuals may state 3kg (6.6 lbs) for ST-WM60 or 2kg (4.4 lbs) for ST-WM100. Refer to the specific model's documentation for precise load limits.*

9. WARRANTY & SUPPORT

For warranty information or technical support, please contact NEEWER customer service through their official website or the platform where the product was purchased. Keep your purchase receipt as proof of purchase.