



Manuals.plus /

› Nordic Ware /

› Nordic Ware Microwave Multi-Boiler 5.5 Cup Instruction Manual - Model 68500

## Nordic Ware 68500

# Nordic Ware Microwave Multi-Boiler 5.5 Cup Instruction Manual - Model 68500

Your guide to convenient microwave cooking.

## PRODUCT OVERVIEW

The Nordic Ware Microwave Multi-Boiler 5.5 Cup is designed for efficient and mess-free microwave cooking. It is ideal for preparing single or double portions of rice, pasta, oatmeal, and steamed vegetables. This multi-boiler features a specially designed perforated lid that prevents boil-overs and doubles as a convenient strainer. Crafted from durable, high-heat, BPA-free, and Melamine-free plastic, it ensures safe and healthy meal preparation.

- **Versatile Cooking:** Perfect for rice, pasta, oatmeal, and steamed vegetables.
- **Boil-Over Prevention:** Specially designed lid minimizes spills and messes.
- **Integrated Strainer:** Lid functions as a strainer for easy draining.
- **Safe Materials:** Made from BPA-free and Melamine-free plastic.
- **Portion Sized:** Ideal for one to two servings.

## SAFETY INFORMATION

Please read and understand all safety instructions before using your Nordic Ware Microwave Multi-Boiler.

- **Microwave Use Only:** This product is designed exclusively for microwave ovens. Do not use on stovetops, in conventional ovens, or under a broiler.
- **Material Safety:** Constructed from BPA-free and Melamine-free high-heat plastic.
- **Hot Contents:** Always use oven mitts or pot holders when removing the multi-boiler from the microwave, as contents and the container may be hot.
- **Steam Release:** Be cautious when removing the lid after cooking, as hot steam will escape. Always open the lid away from your face.
- **Avoid Overfilling:** Do not overfill the multi-boiler to prevent excessive boiling and potential spills.

## SETUP

Your Nordic Ware Microwave Multi-Boiler comes ready for use with minimal setup.

1. **Unpack:** Remove all packaging materials and labels from the multi-boiler and its lid.
2. **Wash:** Before first use, wash the multi-boiler and lid thoroughly with warm, soapy water. Rinse completely and dry.
3. **Inspect:** Ensure there are no cracks or damage to the multi-boiler or lid before use.

## OPERATING INSTRUCTIONS

---

Follow these general steps for cooking with your Nordic Ware Microwave Multi-Boiler. Specific cooking times may vary based on your microwave's wattage and desired food consistency.

### General Cooking Steps:

1. **Add Ingredients:** Place your desired food (e.g., rice, pasta, vegetables) into the multi-boiler.
2. **Add Liquid:** Add the appropriate amount of water or other liquid. For vegetables, typically 1-2 inches of water is sufficient. For rice or pasta, follow package directions, adjusting for microwave cooking.
3. **Secure Lid:** Place the perforated lid onto the multi-boiler. Ensure it is properly seated to allow steam to escape through the perforations, preventing boil-overs.
4. **Microwave:** Place the multi-boiler in the microwave. Cook on high power for the recommended time.
5. **Rest:** After microwaving, carefully remove the multi-boiler using oven mitts. Allow it to rest for a few minutes to complete cooking and allow steam to dissipate.
6. **Drain (if necessary):** Use the perforated lid as a strainer to drain any excess liquid.
7. **Serve:** Carefully remove the lid and serve your freshly cooked meal.

### Example Cooking Times (Approximate, adjust as needed):

- **Broccoli:** For a full head of broccoli with 1 inch of water, microwave for approximately 4-5 minutes.
- **Rice:** For 1 cup of rice, add 2 cups of water. Microwave for 10-15 minutes, then let stand for 5 minutes.
- **Pasta:** For 1-2 servings, add pasta and water to cover. Microwave for 8-12 minutes, or until al dente, stirring occasionally.

### Product Images:



Figure 1: The Nordic Ware Microwave Multi-Boiler 5.5 Cup with its perforated lid, ready for use.



Figure 2: The Multi-Boiler in action, showing freshly cooked rice being served. Note the steam escaping, indicating proper cooking.

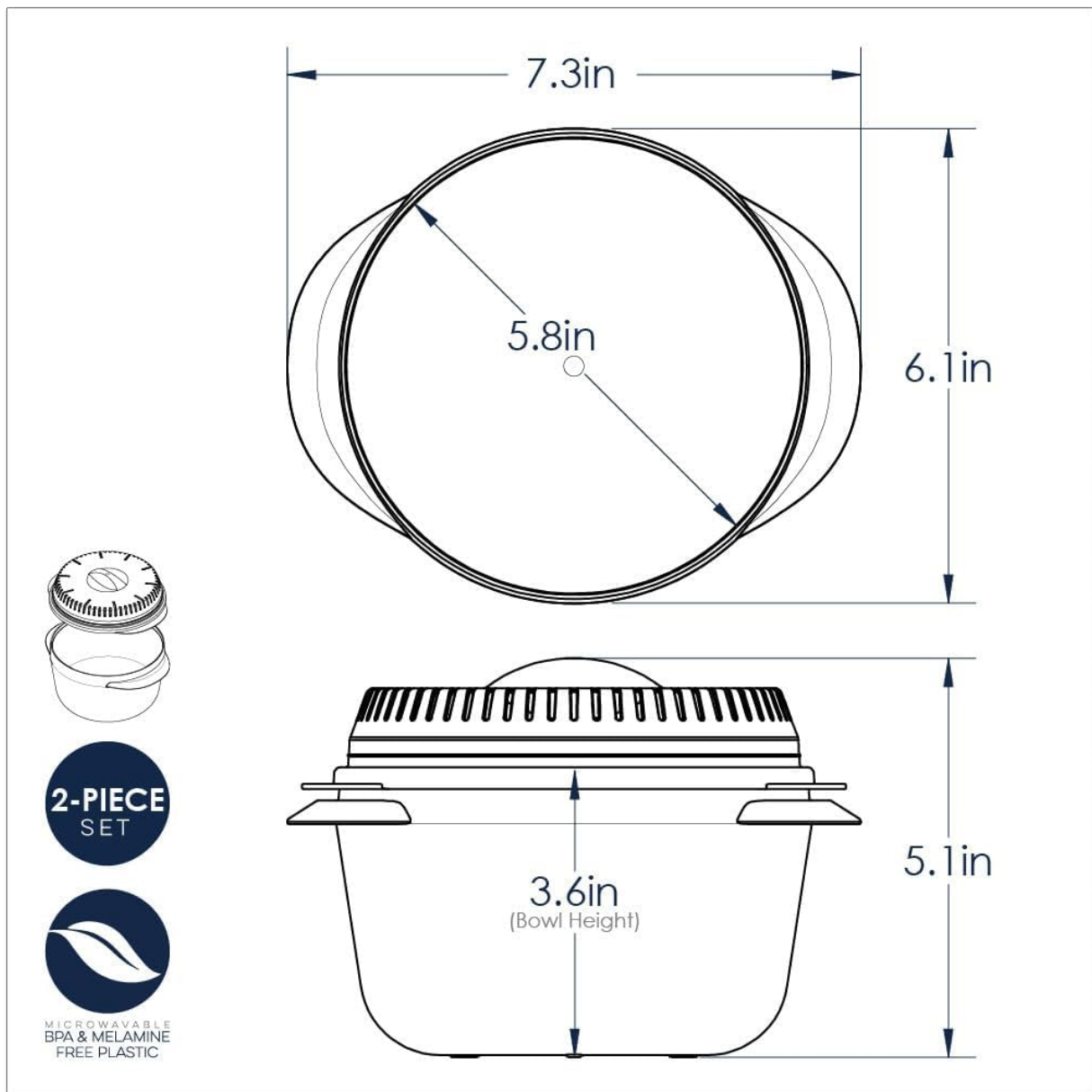


Figure 3: Detailed dimensions of the Nordic Ware Microwave Multi-Boiler, illustrating its compact and functional design.

## Official Product Videos:

Video 1: Demonstration of a 3 Quart Microwave Rice Cooker/Steamer. While this video features a 3-quart model, the general principles of microwave cooking and steaming apply to your 5.5 cup Multi-Boiler.

Video 2: How To Use The Microwave Rice Cooker. This video illustrates the usage of a microwave rice cooker, offering visual guidance on adding ingredients and securing the lid, which is similar to the Multi-Boiler's operation.

Video 3: Microwave Cookware Steamer 2 Quart. This video demonstrates a 2-quart microwave steamer, showcasing its features and ease of use for steaming various foods, applicable to the Multi-Boiler's steaming function.

## MAINTENANCE AND CLEANING

Proper care will extend the life of your Nordic Ware Microwave Multi-Boiler.

- **Dishwasher Safe:** The multi-boiler and lid are dishwasher safe. Place on the top rack for best results.
- **Hand Washing:** For optimal longevity, hand washing with warm, soapy water is recommended. Avoid abrasive cleaners or scouring pads that could scratch the surface.
- **Stain Removal:** For stubborn food stains, soak the multi-boiler in warm, soapy water before cleaning. A baking soda paste can also be used for gentle scrubbing.
- **Storage:** Store the multi-boiler and lid in a dry place when not in use.

## TROUBLESHOOTING

---

If you encounter issues with your Nordic Ware Microwave Multi-Boiler, refer to these common solutions.

- **Food Not Cooked Evenly:**

- Ensure food is distributed evenly in the multi-boiler.
- Check your microwave's wattage and adjust cooking time accordingly.
- Stir contents halfway through cooking for more consistent results.

- **Boil-Over Occurs:**

- Verify the lid is correctly seated, allowing steam to escape through the perforations.
- Reduce the amount of liquid or food to avoid overfilling.
- Lower the microwave power setting or reduce cooking time.

- **Lid is Difficult to Remove:**

- Allow the multi-boiler to cool slightly before attempting to remove the lid.
- Ensure the lid is not twisted or misaligned.

## SPECIFICATIONS

---

<b>Brand</b>	Nordic Ware
<b>Model Number</b>	68500
<b>Capacity</b>	5.5 Cups
<b>Color</b>	Red
<b>Material</b>	BPA-free and Melamine Free Plastic, High-Heat Plastic
<b>Product Dimensions</b>	7.3 x 6.1 x 5.1 inches
<b>Item Weight</b>	7.4 ounces
<b>Care Instructions</b>	Dishwasher Safe, Microwave Safe
<b>Is Oven Safe</b>	No
<b>Is Suitable For Stovetop</b>	No

## WARRANTY AND SUPPORT

---

The Nordic Ware Microwave Multi-Boiler is backed by a **5 Year Warranty**.

For warranty claims, product support, or additional information, please contact Nordic Ware customer service directly.

Contact details can typically be found on the manufacturer's website or product packaging.