

## Kokido K002WBX/LX/G

# Kokido K002WBX/LX/G Wide-Mouth Wall Skimmer for Liner Pools

## Instruction Manual

### 1. PRODUCT OVERVIEW

---

The Kokido K002WBX/LX/G is a standard wide-mouth wall skimmer designed for use with liner swimming pools. Its primary function is to remove debris from the water surface, such as leaves, insects, and other floating particles, before they sink to the bottom of the pool. This helps maintain water clarity and reduces the load on your pool's filtration system. The unit includes a return inlet for circulating filtered water back into the pool.

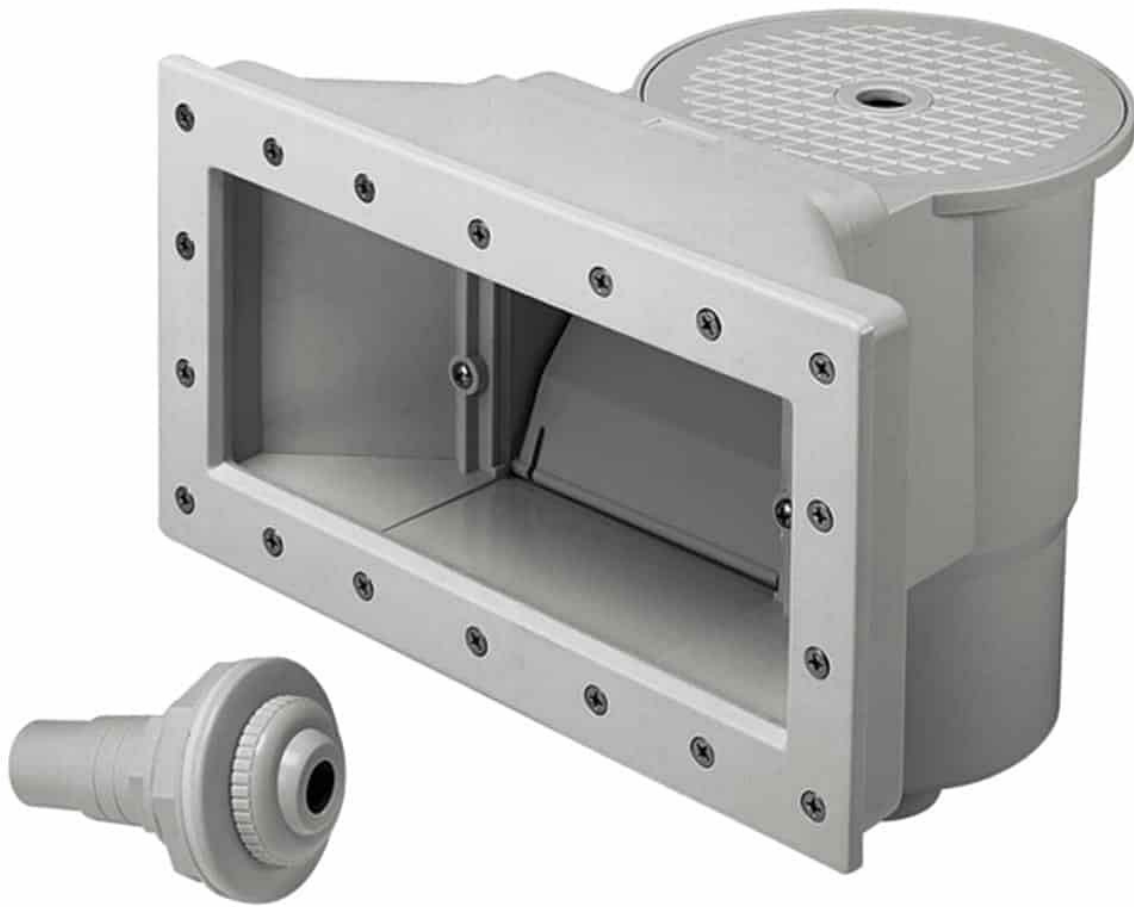


Image 1.1: General view of the Kokido K002WBX/LX/G Wide-Mouth Wall Skimmer. This image shows the main skimmer body, designed for efficient surface debris removal in liner pools.

### Key Features:

- Wide-mouth design for enhanced surface skimming efficiency.
- Specifically designed for liner swimming pools.
- Includes a return inlet for water circulation.
- Durable construction for long-lasting performance.

## 2. SAFETY INFORMATION

---

Please read and understand all safety instructions before installing or operating this product. Failure to follow these instructions could result in serious injury or property damage.

- Always disconnect power to the pool pump and any other electrical equipment before performing installation or maintenance on the skimmer.
- Ensure all plumbing connections are secure and watertight to prevent leaks.
- Use appropriate personal protective equipment (PPE) such as gloves and eye protection during

installation.

- Keep children away from the installation area.
- If you are unsure about any part of the installation process, consult a qualified pool professional.
- Do not operate the pool pump if the skimmer basket is missing or damaged, as this can lead to debris entering the pump and causing damage.

### 3. PACKAGE CONTENTS

---

Verify that all components are present and undamaged before beginning installation. If any parts are missing or damaged, contact your supplier immediately.

- Skimmer body (wide-mouth)
- Skimmer faceplate
- Skimmer basket
- Weir flap (skimmer door)
- Return inlet assembly (including eyeball fitting)
- Gaskets (for skimmer and return inlet)
- Stainless steel screws (for faceplate and return inlet)
- Vacuum plate (optional, may be included for manual vacuuming)

### 4. SETUP AND INSTALLATION

---

This section provides general guidelines for installing the Kokido K002WBX/LX/G skimmer. Specific pool designs may require variations. Always refer to your pool manufacturer's instructions for liner cutting and structural considerations.

#### Tools and Materials Required:

- Screwdriver (Phillips head)
- Utility knife or sharp blade
- Sealant (pool-grade, if recommended by pool manufacturer)
- Measuring tape
- Marker

#### Installation Steps:

1. **Prepare the Pool Wall:** Ensure the pool wall where the skimmer will be installed is clean and free of obstructions. The skimmer should be positioned at a height that allows the water level to be approximately halfway up the skimmer opening during normal operation.
2. **Mark and Cut the Liner (Skimmer Opening):** Carefully position the skimmer body against the pool wall from the outside. Using the skimmer opening as a template, mark the outline onto the pool liner. *Do not cut the liner yet.* First, install the skimmer faceplate from the inside of the pool, aligning it with the skimmer body on the outside. Secure the faceplate and skimmer body together using the provided gaskets and screws. Tighten screws evenly to create a watertight seal. Once the skimmer body and faceplate are securely installed, carefully cut the liner from the inside of the pool, following the inner edge of the faceplate.

3. **Install the Return Inlet:** Identify the desired location for the return inlet, typically opposite the skimmer for optimal water circulation. Mark and cut a circular hole in the pool liner and wall according to the return inlet's dimensions. Install the return inlet assembly with its gaskets, ensuring a tight, leak-free seal.
4. **Connect Plumbing:** Connect the skimmer and return inlet to your pool's filtration system (pump and filter) using appropriate PVC piping and fittings. Ensure all connections are solvent-welded or threaded with Teflon tape/sealant as required, to prevent leaks.
5. **Install Skimmer Components:** Insert the skimmer basket into the skimmer body. Install the weir flap (skimmer door) into its designated slots at the front of the skimmer opening.
6. **Fill Pool and Check for Leaks:** Begin filling the pool with water. As the water level rises, carefully inspect all skimmer and return inlet connections for any signs of leaks. Address any leaks immediately by tightening connections or reapplying sealant.
7. **Test Operation:** Once the pool is filled to the appropriate level and no leaks are detected, turn on the pool pump to test the skimmer's operation. The weir flap should float freely, allowing surface water and debris to enter the skimmer basket.

## 5. OPERATING INSTRUCTIONS

---

The Kokido K002WBX/LX/G skimmer operates automatically when your pool pump is running, drawing water from the surface into the filtration system.

- **Water Level:** Maintain the pool water level so that it is approximately halfway up the skimmer opening. This allows the weir flap to function correctly, ensuring efficient surface skimming.
- **Skimmer Basket:** The skimmer basket collects larger debris. It should be checked and emptied regularly (daily or as needed, depending on debris accumulation) to prevent clogging and maintain optimal water flow to the pump.
- **Weir Flap:** The weir flap (skimmer door) is designed to create a strong surface current, directing debris into the skimmer. Ensure it moves freely and is not obstructed.
- **Return Inlet:** The return inlet circulates filtered water back into the pool. Adjust the eyeball fitting to direct the water flow for optimal circulation and to push surface debris towards the skimmer.

## 6. MAINTENANCE

---

Regular maintenance of your skimmer is crucial for efficient pool operation and longevity of your equipment.

- **Empty Skimmer Basket:** Empty the skimmer basket frequently to prevent it from becoming full and restricting water flow. A clogged basket can strain your pool pump.
- **Inspect Weir Flap:** Periodically check the weir flap for damage or obstructions. Ensure it pivots freely.
- **Clean Skimmer Body:** Occasionally, the inside of the skimmer body may accumulate algae or debris. Clean it as needed using a pool brush or appropriate cleaning tools.
- **Check Gaskets and Seals:** Annually, or if a leak is suspected, inspect the gaskets and seals around the skimmer faceplate and return inlet. Replace any worn or cracked gaskets to prevent leaks.
- **Winterization:** If you winterize your pool, ensure the skimmer is properly drained and protected from freezing temperatures. This may involve removing the skimmer basket, plugging the skimmer line, and adding antifreeze to the plumbing. Consult your pool winterization guide for specific instructions.

## 7. TROUBLESHOOTING

Here are some common issues and their potential solutions:

Problem	Possible Cause	Solution
Poor skimming action	<ul style="list-style-type: none"><li>• Clogged skimmer basket</li><li>• Low water level</li><li>• Weir flap stuck</li><li>• Weak pump suction</li></ul>	<ul style="list-style-type: none"><li>• Empty skimmer basket</li><li>• Adjust water level to mid-skimmer opening</li><li>• Clear obstructions from weir flap</li><li>• Check pump and filter for issues</li></ul>
Water leaking from skimmer or return inlet	<ul style="list-style-type: none"><li>• Loose connections</li><li>• Damaged gaskets</li><li>• Improperly sealed plumbing</li></ul>	<ul style="list-style-type: none"><li>• Tighten screws/connections</li><li>• Inspect and replace gaskets</li><li>• Re-seal plumbing connections</li></ul>
Skimmer making unusual noise	<ul style="list-style-type: none"><li>• Air in the system</li><li>• Debris caught in plumbing</li></ul>	<ul style="list-style-type: none"><li>• Check water level, ensure no air leaks</li><li>• Inspect skimmer and plumbing for obstructions</li></ul>

## 8. SPECIFICATIONS

Technical details for the Kokido K002WBX/LX/G Skimmer:

Specification	Detail
Model Number	K002WBX/LX/G
Product Dimensions (L x W x H)	22.4 x 9.7 x 22.4 cm
Product Weight	2.8 kg
Type	Wide-Mouth Wall Skimmer
Compatibility	Liner Pools
Color	White

## 9. WARRANTY AND SUPPORT

Specific warranty information for the Kokido K002WBX/LX/G skimmer is not provided in this manual. Please refer to your purchase documentation or contact your retailer for details regarding warranty coverage and terms.

For technical support or inquiries, please contact the Kokido customer service department or your

authorized dealer. Keep your proof of purchase handy when contacting support.

© 2023 Kokido. All rights reserved.