

BLANCO 401926

BLANCO LIVEN 401926 Laundry Sink User Manual

Model: 401926 | Brand: BLANCO

1. INTRODUCTION

This manual provides essential information for the installation, operation, and maintenance of your BLANCO LIVEN 401926 Drop-in or Undermount Laundry Sink. Designed to meet the rigorous demands of laundry and utility rooms, this sink combines durability with aesthetic appeal. Please read these instructions thoroughly before beginning installation or use to ensure proper function and longevity of your product.

2. KEY FEATURES

- **Durable Material:** Constructed from patented SILGRANIT material, offering exceptional resistance to heat, scratches, stains, chips, and impacts.
- **HYGIENIC+PLUS Surface Technology:** Features a protective shield that repels liquids and dirt, contributing to a cleaner and more hygienic environment.
- **Easy-to-Clean:** Simple maintenance requiring only baking soda and a sponge, eliminating the need for harsh chemicals.
- **Dual Mount Installation:** Versatile design allows for either drop-in (top mount) or undermount installation to suit various countertop styles.
- **Generous Depth:** A deep 12-inch bowl accommodates large items and prevents splashing, ideal for laundry tasks.
- **Third-Party Certified:** Tested, certified, and listed as a composite stone material, meeting IAPMO standards for composite stone sinks.

3. SPECIFICATIONS

Specification	Detail
Brand	BLANCO

Model Number	401926
Material	SILGRANIT
Color	Truffle
Overall Dimensions (L x W x D)	25" L x 22" W x 12" D
Product Dimensions (D x W x H)	22"D x 25"W x 12.37"H
Item Weight	15 Pounds
Base Width	22 Inches
Finish Type	Matt
Installation Type	Drop-In; Undermount
Drain Type	Lift and Turn
Hole Count	1
Style	Drop-In or Undermount Utility Laundry Sink
Shape	Rectangular
Included Components	Product Only

4. SETUP & INSTALLATION

The BLANCO LIVEN sink offers flexible installation options: drop-in (top mount) or undermount. Ensure your countertop is properly prepared and cut according to the provided template (not included in this manual, refer to packaging for template). Professional installation is recommended to ensure proper sealing and support.

4.1 Pre-Installation Checklist

- Verify sink dimensions (25" L x 22" W x 12" D) against cabinet and countertop cutouts.
- Ensure all necessary plumbing components (faucet, drain assembly, P-trap) are available.
- Confirm adequate support for the sink, especially for undermount installations.

4.2 Installation Steps (General)

1. Prepare the countertop opening according to the sink template.
2. Apply a continuous bead of silicone sealant around the rim of the sink (for drop-in) or the underside of the countertop cutout (for undermount).
3. Carefully position the sink into the opening.
4. Secure the sink using the provided mounting clips, tightening them evenly.
5. Install the faucet and drain assembly according to their respective manufacturer's instructions.
6. Connect plumbing lines and check for leaks.

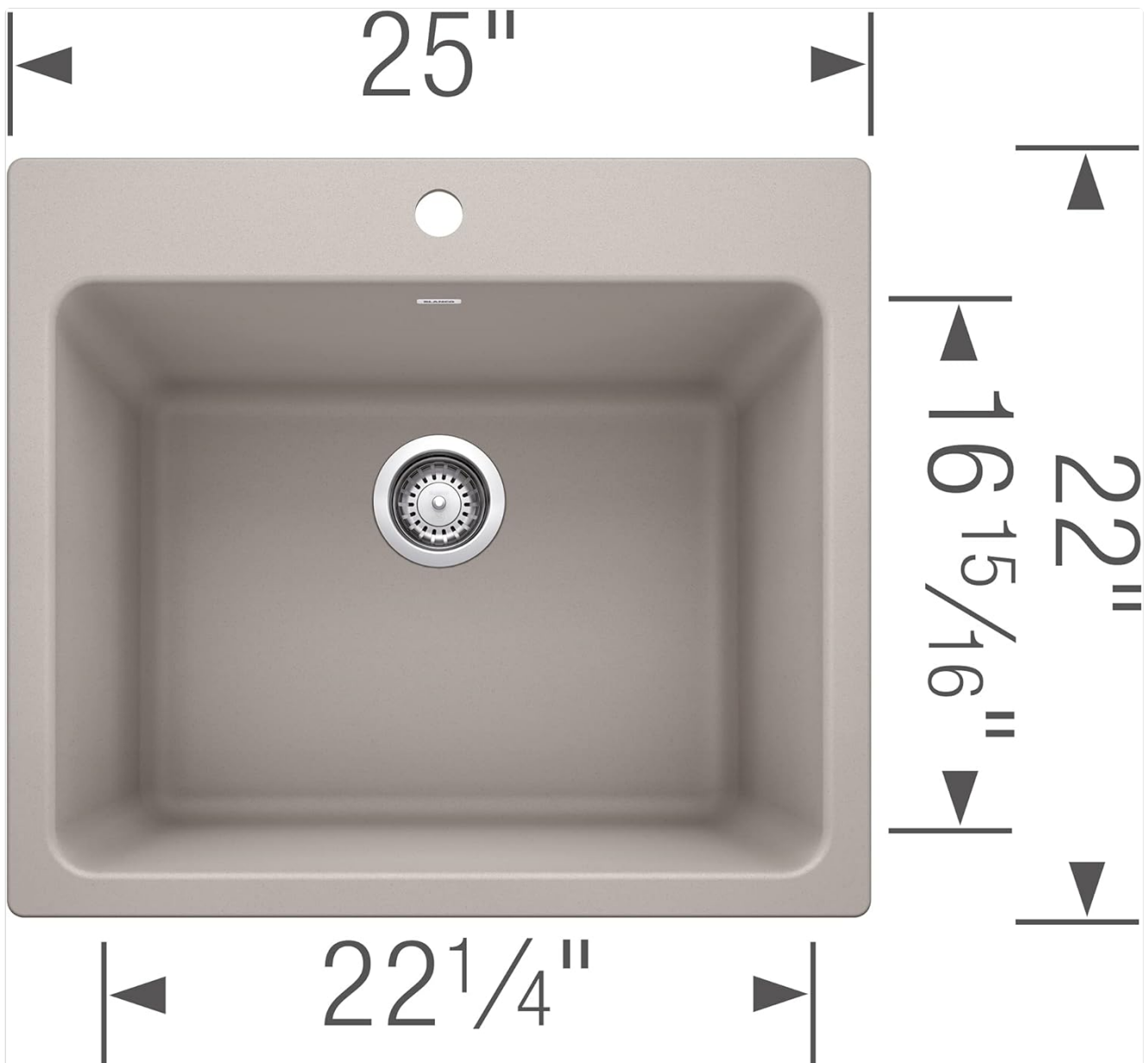


Figure 1: BLANCO LIVEN Laundry Sink Dimensions (25" L x 22" W x 12" D)

5. OPERATING INSTRUCTIONS

The BLANCO LIVEN laundry sink is designed for general utility and laundry tasks. Its deep basin is ideal for soaking clothes, washing delicate items, or handling various household chores that require a spacious and durable sink.

5.1 General Use

- Use for hand-washing clothes, soaking stained garments, or rinsing items before machine washing.
- Suitable for cleaning tools, pet accessories, or other items that may be too large or messy for a kitchen sink.
- The SILGRANIT material is highly resistant, but avoid dropping extremely heavy or sharp objects from a significant height to prevent potential damage.

6. MAINTENANCE & CARE

Maintaining your BLANCO LIVEN sink is straightforward due to its HYGIENIC+PLUS surface technology and durable SILGRANIT material. Regular cleaning will preserve its appearance and performance.

6.1 Daily Cleaning

- Wipe the sink clean with a soft cloth or sponge and warm soapy water after each use.
- Rinse thoroughly to remove all soap residue.
- For best results, dry the sink with a clean towel to prevent water spots, especially in hard water areas.

6.2 Deep Cleaning & Stain Removal

- For stubborn stains or general deep cleaning, create a paste of baking soda and water.
- Apply the paste to the stained area and gently scrub with a non-abrasive sponge or brush.
- Rinse thoroughly and dry.
- Avoid using harsh chemicals, abrasive cleaners, steel wool, or scouring pads, as these can damage the SILGRANIT surface.
- For specific product care, refer to the manufacturer's recommendations for SILGRANIT sinks, such as [BLANCOCLEAN Daily Silgranit Sink Cleaner](#).



Figure 2: Truffle Color Finish of the BLANCO LIVEN Sink

7. TROUBLESHOOTING

Most issues with your BLANCO LIVEN sink can be resolved with simple steps. If you encounter problems not listed here, please contact BLANCO customer support.

Problem	Possible Cause	Solution
Water spots/mineral buildup	Hard water residue	Wipe dry after each use. Use a mild vinegar solution (diluted) for stubborn spots, then rinse thoroughly.
Dull appearance	Accumulated residue or lack of regular cleaning	Perform a deep clean with baking soda paste. Ensure thorough rinsing and drying.
Slow drainage	Clogged drain	Check the drain stopper for debris. Use a non-corrosive drain cleaner if necessary, following product instructions.

8. WARRANTY & SUPPORT

Your BLANCO LIVEN 401926 Laundry Sink is backed by a **Limited Lifetime Warranty** from the manufacturer. This warranty covers defects in material and workmanship under normal use and service. For detailed warranty terms, conditions, and to register your product, please visit the official BLANCO website or contact their customer service department. For further assistance, technical support, or to inquire about optional accessories like the stainless steel task basket (item #234771), please refer to the contact information provided on the BLANCO website or your product packaging.

9. VISUAL GUIDE

9.1 Product Images



Image 1: BLANCO LIVEN Truffle Laundry Sink in a modern laundry room setting.



Image 2: Overhead view of the BLANCO LIVEN Truffle sink, showcasing its deep basin and surrounding countertop.

SILGRANIT® COLORS

Available in 9 nature-inspired hues

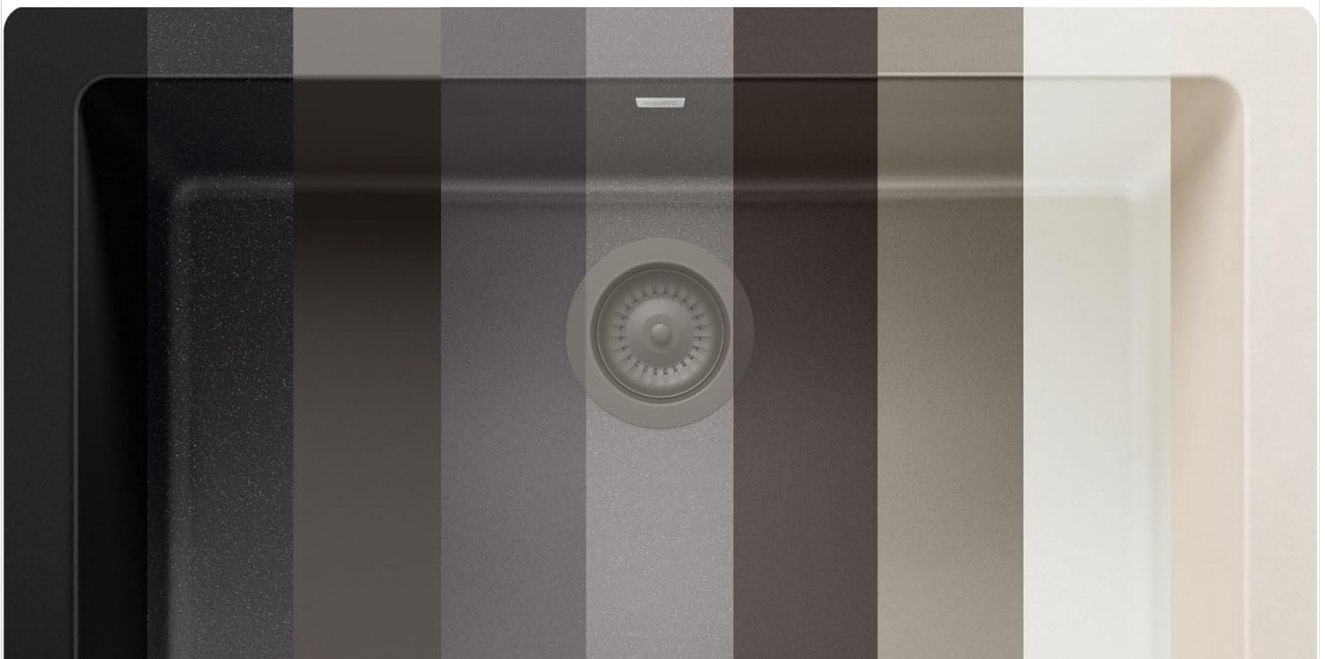


Image 3: SILGRANIT® Colors - Available in 9 nature-inspired hues, including Truffle.



Image 4: The BLANCO LIVEN dual mount laundry sink in a functional and stylish setting.

9.2 Official Product Videos

Silgranit Production - Made in Canada

Video 1: This video showcases the manufacturing process of BLANCO's patented SILGRANIT material in Canada, highlighting the innovation, science, and passion behind creating a durable, scratch-resistant, temperature-resistant, and non-porous sink material that pushes away dirt and liquids. It emphasizes the quality and craftsmanship of BLANCO sinks.