

Manuals+

[Q & A](#) | [Deep Search](#) | [Upload](#)

Manuals.plus /

› [Design House](#) /

› Brookings Shaker Unassembled Bridge Wall Kitchen Cabinet W3018 Instruction Manual

Design House 561662

Brookings Shaker Unassembled Bridge Wall Kitchen Cabinet W3018 Instruction Manual

Model: 561662 | Brand: Design House

INTRODUCTION

The Design House Brookings Kitchen Bridge Wall Cabinet (W3018) is designed to transform your space with its durable construction and modern Shaker style. Crafted with a solid wood face and door frame, and robust 1/2-inch plywood sides, this cabinet ensures exceptional strength and longevity. It features two doors with 6-way adjustable soft-close hinges for quiet operation and perfect alignment. The finished interior provides a polished look, and its easy-to-clean surfaces maintain their beauty with mild soap and water. The Sherwin Williams painted finish adds an elegant touch to this versatile cabinet, suitable for kitchens, garages, and laundry rooms.



Figure 1: Front view of the Brookings Shaker Bridge Wall Kitchen Cabinet.

SAFETY INFORMATION

Always exercise caution when handling and assembling the cabinet. Keep fingers clear of hinges and other moving parts to prevent injury. Adhere strictly to the assembly instructions provided to ensure safe installation. Be mindful of any sharp edges and utilize appropriate safety gear, such as gloves, when handling the cabinet components.

COMPONENTS LIST

The Brookings Shaker Bridge Wall Kitchen Cabinet arrives securely packaged with all necessary parts for assembly. Please verify that all components listed below are present before beginning installation:

- Cabinet panels (sides, top, bottom, back)
- Two cabinet doors
- 6-way adjustable soft-close hinges
- Assembly hardware (screws, fasteners, etc.)
- Pre-installed snap together clip system components
- Rubber bumpers for doors

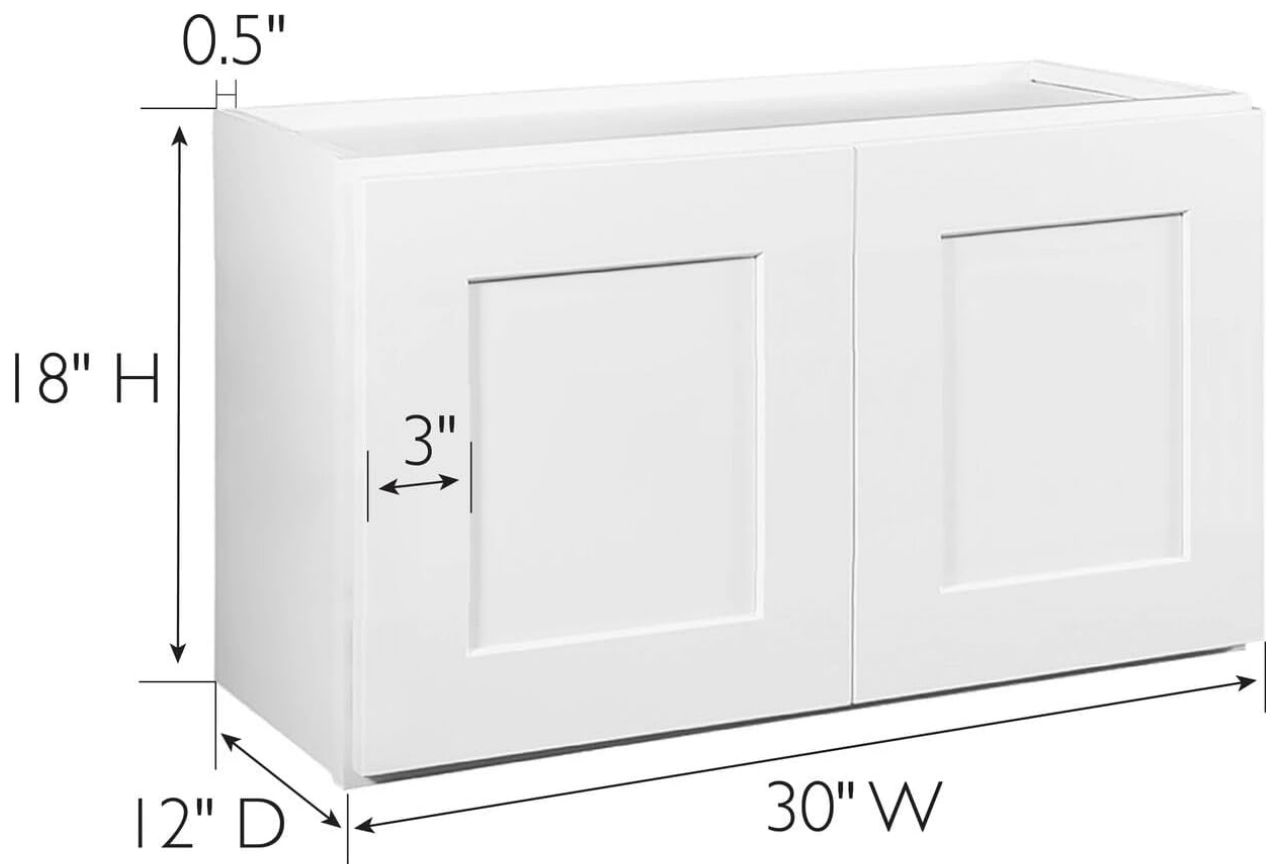
Durable Construction



Figure 2: Key components and durable construction features.

SETUP AND ASSEMBLY

This cabinet is designed for easy assembly and ships flat-packed. Step-by-step instructions are provided within the packaging, and all parts are clearly labeled to simplify the process. The pre-installed snap-together clip system aids in straightforward construction. Ensure you have adequate space and the necessary tools (e.g., screwdriver) before starting. Follow the included manual for detailed assembly steps and proper wall mounting procedures.



Assembly Instructions Included

Ships to you unassembled for convenient transport

Figure 3: Cabinet dimensions and confirmation of included assembly instructions.

OPERATING INSTRUCTIONS

The Brookings Shaker Bridge Wall Kitchen Cabinet features two doors equipped with 6-way adjustable soft-close hinges. To operate, gently pull the door open. When closing, the soft-close mechanism will engage, allowing the door to close quietly and smoothly without slamming. The 6-way adjustability allows for precise alignment of the doors after installation, ensuring a seamless appearance.



Figure 4: Cabinet doors with handles, demonstrating the finished look.

MAINTENANCE

To maintain the beauty and longevity of your cabinet, regularly wipe surfaces with a damp cloth. For more thorough cleaning, use mild soap and water. Avoid abrasive cleaners or harsh chemicals, as these can damage the Sherwin Williams painted finish. Ensure any spills are wiped promptly to prevent staining or damage to the wood and finish.

TROUBLESHOOTING

- **Doors Not Aligning:** The 6-way adjustable soft-close hinges allow for fine-tuning. Refer to the assembly instructions for details on how to adjust the hinges to achieve perfect door alignment.
- **Loose Hardware:** Periodically check all screws and fasteners to ensure they are tight. Retighten as necessary to maintain cabinet stability.
- **Minor Scratches/Chips:** A touch-up repair kit (part #921387-WH) is available separately from Design House for minor cosmetic repairs to the white finish.

SPECIFICATIONS

Feature	Detail
Brand	Design House
Model Number	561662
Product Dimensions	12"D x 30"W x 18"H
Color	White
Material	Solid Wood (Face & Door Frame), 1/2-inch Plywood (Sides)
Finish Type	Painted (Sherwin Williams)
Door Style	Shaker
Hinges	6-way adjustable soft-close
Mounting Type	Wall Mount
Item Weight	28.74 Pounds
Assembly Required	Yes

WARRANTY AND SUPPORT

The Design House Brookings Shaker Unassembled Bridge Wall Kitchen Cabinet comes with a **1-year limited warranty**. This warranty covers defects in materials and workmanship under normal use. For warranty claims, technical support, or to purchase additional parts like soft-close drawer glides (part #915686) or touch-up repair kits (part #921387-WH), please visit the official Design House store or contact their customer service. Customer satisfaction has been a priority for Design House for over 150 years.

For more information and support, please visit the [Design House Store on Amazon](#).