

Rfiver TF2002

RFIVER TF2002 Swivel TV Stand Instruction Manual

Model: TF2002 | Brand: Rfiver

1. SAFETY INSTRUCTIONS

Please read all instructions carefully before assembly and use. Retain this manual for future reference.

- **Weight Capacity:** Do not exceed the maximum weight capacity of 50 kg (110 lbs) for the TV mount and 5 kg (11 lbs) per shelf. Overloading can cause instability and serious injury.
- **TV Compatibility:** Ensure your TV's VESA pattern (mounting hole distance) and weight are within the specified limits (40-75 inches, VESA 100x100mm to 600x400mm).
- **Stable Surface:** Place the TV stand on a flat, level, and stable surface to prevent tipping.
- **Children and Pets:** Keep children and pets away from the stand during assembly. Do not allow children to climb on the stand or shelves.
- **Secure Assembly:** Ensure all screws and connections are tightened securely before placing the TV or other devices on the stand. Periodically check for tightness.
- **Cable Management:** Route cables safely to prevent tripping hazards and to avoid damage to the cables or equipment.

2. PACKAGE CONTENTS

Verify that all components are present and undamaged before beginning assembly. The package includes numbered accessory bags for easy identification.

- Tempered Glass Base
- Main Support Column
- TV Mounting Plate
- TV Brackets (Left & Right)
- Tempered Glass Shelves (3x)

- Hardware Kit (screws, washers, spacers, anti-slip pads, cable clips)
- Assembly Tools (e.g., Allen wrench)
- Instruction Manual

3. SETUP GUIDE

3.1. Prepare the Base

Attach the anti-slip pads to the bottom of the tempered glass base. Secure the main support column to the base using the provided screws.



Image: Tempered glass base with features like cable management and safety lock.

3.2. Attach TV Brackets

Identify the correct VESA screws for your TV. Attach the left and right TV brackets to the back of your television. Ensure they are securely fastened and evenly aligned.

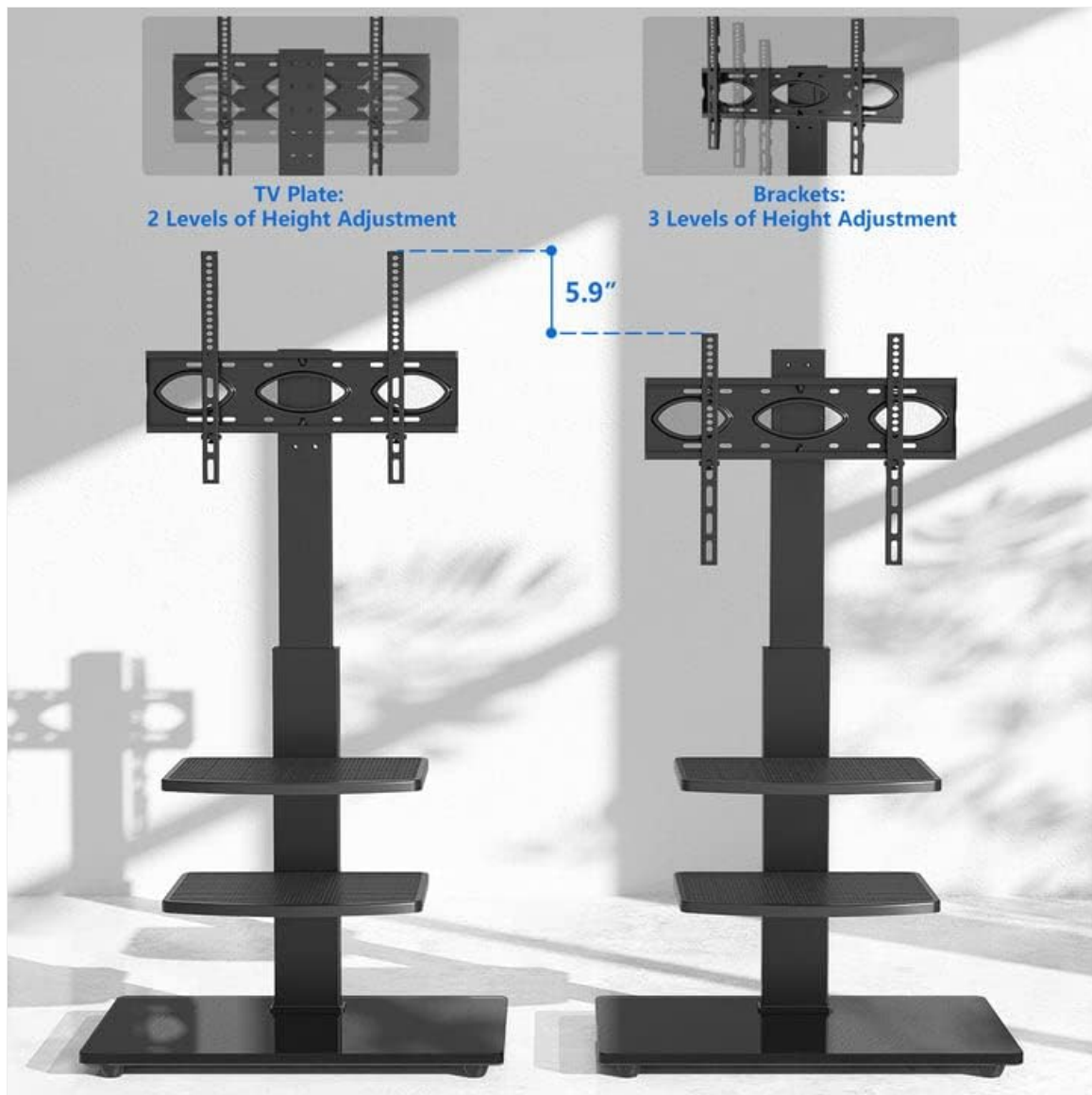


Image: TV plate and bracket height adjustment options.

3.3. Mount the TV

With assistance, carefully lift your TV and hook the attached brackets onto the main mounting plate of the stand. Ensure the TV is centered and level. Secure the TV to the mounting plate using the safety locks provided.

EST-IL COMPATIBLE AVEC MON TV?

Vis pour TV



VESA Disponible

W x H	200x200mm	400x300mm
	300x200mm	400x400mm
	100x100mm	300x300mm
	300x300mm	600x200mm
	200x100mm	400x200mm
		600x400mm

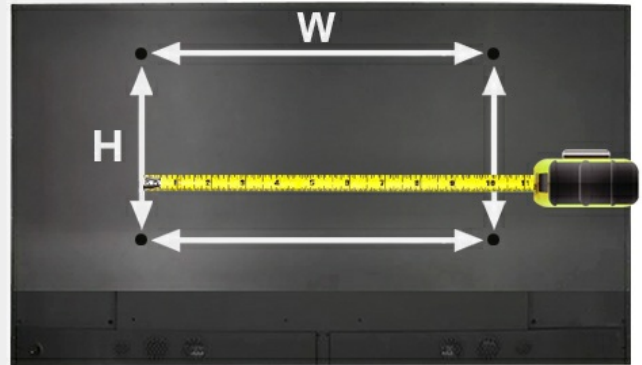


Image: RFIVER TV stand with a mounted television.

3.4. Install Shelves

Attach the tempered glass shelves to the main column at your desired height. The shelves are adjustable to accommodate various audio-visual components.

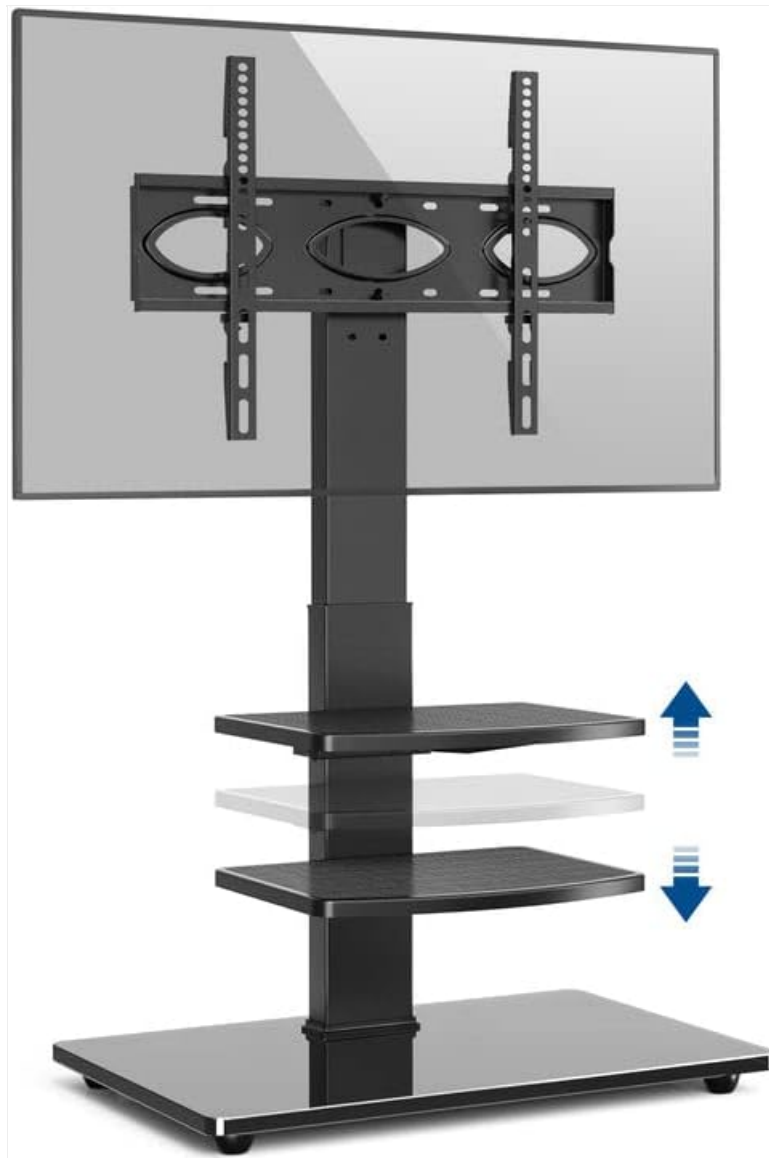


Image: Adjustable shelf height.

3.5. Cable Management

Utilize the integrated cable clips on the back of the main column to organize and conceal your TV and device cables. This helps maintain a tidy appearance and prevents cable clutter.



CABLE MANAGEMENT

EFFICIENT CABLE MANAGEMENT
KEEP NEAT AND
SAVE SPACE

Image: Cable management system in use.

4. OPERATING INSTRUCTIONS

4.1. Swivel Function

The TV mount can be gently swiveled up to 30 degrees to the left or right. This allows you to adjust the viewing angle for optimal comfort from various positions in your room.



Image: TV swivel feature.

4.2. Height Adjustment

The TV mounting height can be adjusted in 4 levels, ranging from 1111mm to 1411mm, to suit your viewing preferences. The shelves can also be adjusted independently to accommodate your devices.

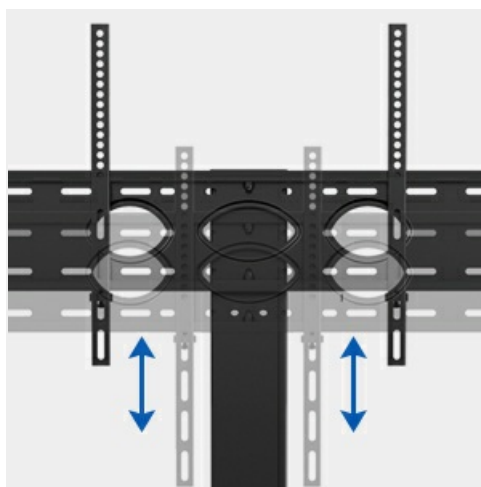


Image: Detail of height adjustment.

5. MAINTENANCE

- **Cleaning:** Use a soft, dry cloth to clean the stand. For glass surfaces, a mild glass cleaner can be used. Avoid abrasive cleaners or harsh chemicals.
- **Periodic Checks:** Regularly inspect all screws and connections to ensure they remain tight and secure. Retighten if necessary.
- **Damage:** If any part of the stand becomes damaged, discontinue use and contact customer support for replacement parts or advice.

6. TROUBLESHOOTING

- **Stand is Unstable:** Ensure the stand is placed on a level surface. Check that all screws are fully tightened, especially those connecting the column to the base.
- **TV Not Level:** Adjust the TV brackets on the back of your TV to ensure it is level. Some brackets allow for minor leveling adjustments.
- **TV Does Not Fit:** Verify your TV's VESA pattern and weight against the product specifications. If your TV's VESA pattern or weight exceeds the limits, it is not compatible with this stand.
- **Missing Parts:** If any parts are missing from the package, contact customer support immediately for assistance.

7. PRODUCT SPECIFICATIONS

Feature	Specification
Model Number	TF2002
Compatible TV Sizes	32 - 70 inches
VESA Compatibility	100x100mm to 600x400mm
TV Weight Capacity	Up to 50 kg (110 lbs)
Shelf Weight Capacity	Up to 5 kg (11 lbs) per shelf
Material	Metal, Tempered Glass
Swivel Angle	±30 degrees
TV Height Adjustment	4 levels (1111mm to 1411mm)
UPC / GTIN	761330650043

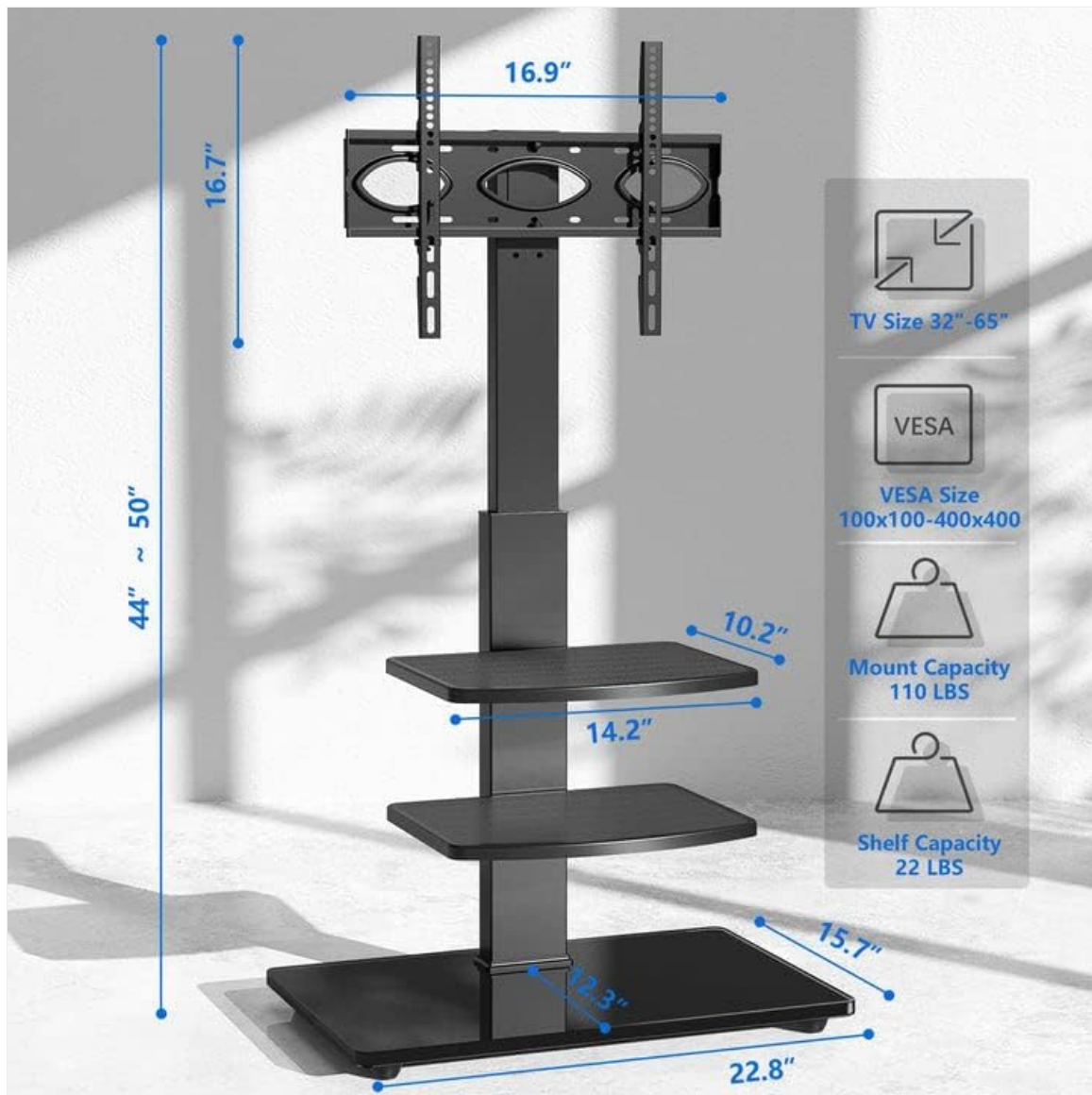


Image: Product dimensions and specifications.

8. WARRANTY AND CUSTOMER SUPPORT

The RFIVER TF2002 Swivel TV Stand comes with a five-year warranty against manufacturing defects. If you encounter any quality issues with your product within this period, please contact our professional customer service team for assistance.

Our customer service is dedicated to resolving any problems you may experience with your product. Please have your model number (TF2002) and purchase information ready when contacting support.