

[Manuals.plus](#) /

› [Sauder](#) /

› Sauder Craft Pro Series Craft Cart (Model 417047) Instruction Manual

Sauder 417047

Sauder Craft Pro Series Craft Cart (Model 417047) Instruction Manual



1. INTRODUCTION

Thank you for choosing the Sauder Craft Pro Series Craft Cart. This manual provides detailed instructions for the assembly, operation, maintenance, and troubleshooting of your new craft cart. Designed for practicality and style, this rolling cart offers a spacious work surface and hidden storage to organize all your crafting essentials. Its Soft White finish complements various interior decor styles. Please read these instructions carefully before beginning assembly or use to ensure proper function and longevity of your product.



The Sauder Craft Pro Series Craft Cart in its compact, closed configuration, showcasing its soft white finish and overall design.

2. SETUP AND ASSEMBLY

Your Sauder Craft Pro Series Craft Cart (Model 417047) requires assembly. All necessary assembly instructions, hardware, and materials are included in the packaging. We recommend reviewing all steps before beginning. Assembly can be time-consuming, so allocate sufficient time and consider having assistance.

2.1 Important Assembly Tips

- **Tools:** While an electric screwdriver can speed up the process, exercise extreme caution. Over-tightening screws can damage the engineered wood. Hand-tightening is recommended for critical connections.
- **Damaged Parts:** In case of damaged or missing parts, contact Sauder customer service immediately for replacements.
- **Surface:** Assemble on a clean, soft surface to prevent scratches to the product.

2.2 Assembly Videos

Separating Drawer Slides

Separating Drawer Slides

Your browser does not support the video tag.

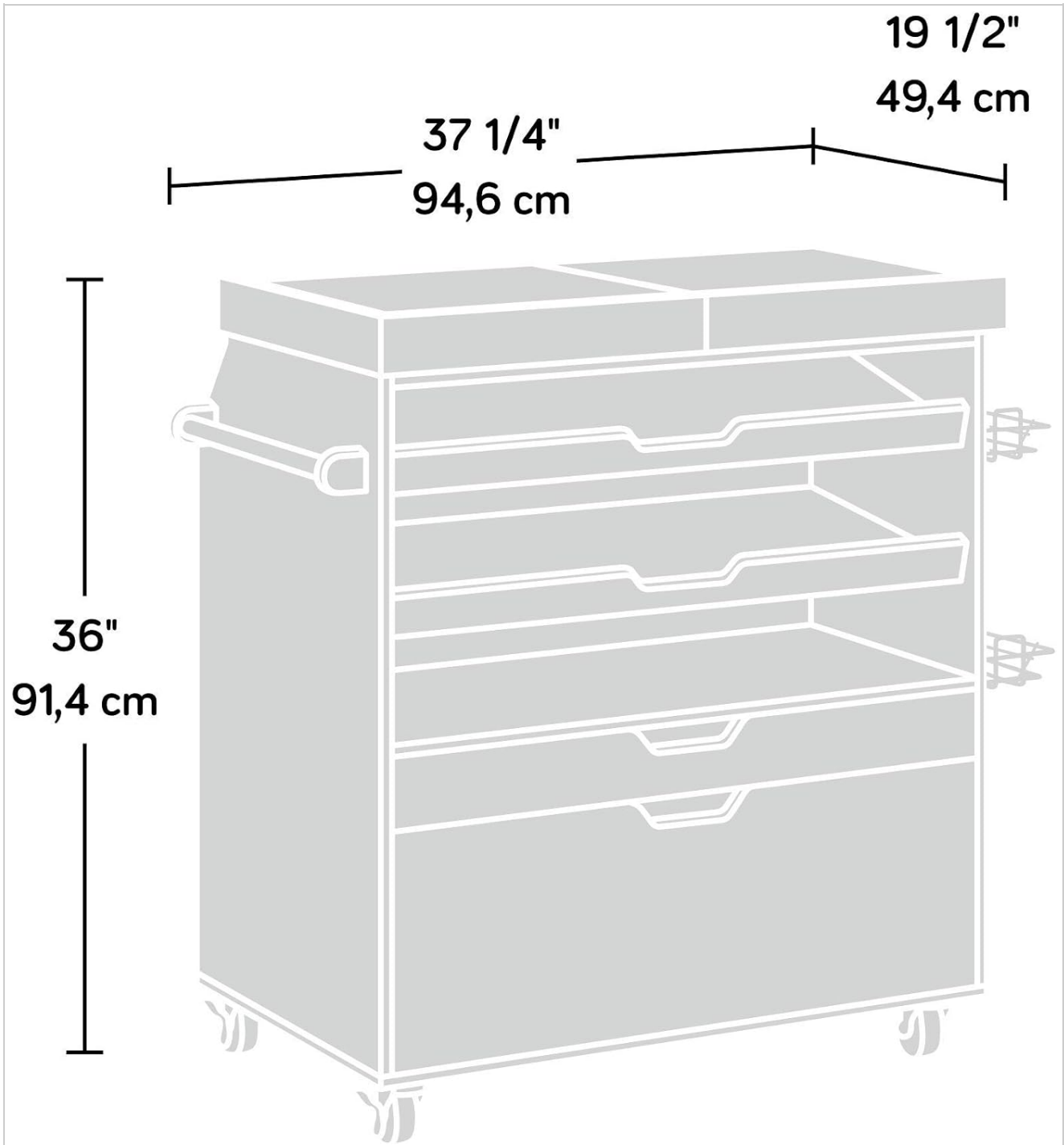
This video demonstrates the process of separating drawer slides from their extensions, a common step in furniture assembly.

Cam and Dowel Assembly

Your browser does not support the video tag.

This video provides instructions on how to properly use cam locks and dowels for secure furniture assembly.

2.3 Product Dimensions



A technical diagram illustrating the dimensions of the craft cart: 37 1/4 inches (94.6 cm) width, 19 1/2 inches (49.4 cm) depth, and 36 inches (91.4 cm) height.

3. OPERATING INSTRUCTIONS

The Sauder Craft Pro Series Craft Cart is designed for versatile use and efficient organization of your crafting supplies. Familiarize yourself with its features to maximize your creative workspace.

3.1 Work Surface and Storage

- **Expandable Top:** The top panels slide open to reveal an expanded work surface and shallow storage trays beneath, ideal for small tools and accessories.
- **Adjustable Shelves:** The interior shelves can be adjusted or inclined for easy access to various craft materials, such as paper, cardstock, or fabric.
- **Smooth-Gliding Drawers:** Multiple drawers glide smoothly on metal runners, providing enclosed storage for larger items or supplies you wish to keep out of sight.
- **Metal Baskets:** Integrated metal baskets on the side are perfect for dispensing ribbons, tapes, or holding other frequently used items.
- **Rear Storage:** The back of the cart features vertical slots designed to store rolls of wrapping paper, vinyl, or fabric bolts.



The craft cart with its top panels extended, providing an expanded work surface and access to shallow storage trays beneath.



The craft cart with its top panels fully extended, creating a spacious and functional work surface for crafting projects.



The craft cart with its top panels open, revealing internal storage, and two wire baskets attached to the side for additional organization.



A view of the craft cart's storage drawers, organized with various small craft supplies like ribbons and buttons.

3.2 Mobility

Equipped with casters, the craft cart can be easily moved across rooms, allowing you to position your crafting station wherever needed. Ensure casters are locked when a stationary workspace is desired.

3.3 Product Overview Video

Your browser does not support the video tag.

A brief overview video showcasing the Sauder Craft Pro Series Craft Cart in Soft White finish, highlighting its design and features through a rotating view.

4. MAINTENANCE

To ensure the longevity and appearance of your Sauder Craft Pro Series Craft Cart, follow these maintenance guidelines:

- **Cleaning:** Wipe surfaces with a soft, damp cloth. Avoid harsh chemicals or abrasive cleaners, as these can damage the finish.
- **Spills:** Clean up spills immediately to prevent staining or damage to the engineered wood.
- **Sunlight:** Avoid prolonged exposure to direct sunlight to prevent fading or discoloration.
- **Humidity:** Maintain a stable humidity level in the room to prevent warping or cracking of the wood.
- **Hardware:** Periodically check and tighten all hardware to ensure stability and structural integrity.

5. TROUBLESHOOTING

If you encounter any issues with your craft cart, consider the following common solutions:

- **Wobbly Structure:** Ensure all cam locks and screws are fully tightened. Refer to the assembly instructions and the 'Cam and Dowel' video for proper technique.
- **Drawers Not Sliding Smoothly:** Check that drawer slides are correctly installed and aligned. Ensure no debris is obstructing the runners. Refer to the 'Separating Drawer Slides' video for guidance.
- **Damaged Parts During Assembly:** If any parts were damaged during assembly, especially due to over-tightening, contact Sauder customer service for replacement parts.
- **Casters Not Rolling:** Check for any obstructions around the wheels. Ensure the casters are clean and free of hair or debris.

6. SPECIFICATIONS

Product Dimensions	33.07"D x 37.01"W x 6.89"H
Brand	Sauder
Model Number	417047
Material	Engineered Wood
Color	Soft White Finish
Item Weight	94.6 Pounds
Number of Shelves	3
Number of Wheels	4
Caster Type	Swivel
Required Assembly	Yes
UPC	042666004046

7. WARRANTY AND SUPPORT

Sauder stands by the quality of its products. Your Craft Pro Series Craft Cart comes with **at-1-year parts warranty** from the date of purchase. This warranty covers manufacturing defects and missing parts.

For any questions regarding assembly, missing parts, or product support, please utilize Sauder's customer service resources:

- **Live Chat:** On-demand support available through the Sauder website.
- **Assembly Tip Videos:** Access helpful video guides for common assembly steps.
- **Replacement Parts:** Easily request and receive replacement parts if needed.
- **Domestic Call Center:** Ready to assist with any inquiries.

Visit the official Sauder website or refer to the contact information provided in your product packaging for direct support.

