

Respekta BOSTON100X50S

Respekta ALINEO100 Kitchen Sink Instruction Manual

Model: BOSTON100X50S

1. INTRODUCTION AND OVERVIEW

This manual provides essential information for the safe installation, operation, and maintenance of your Respekta ALINEO100 built-in kitchen sink. The ALINEO100 is a durable and functional sink designed for modern kitchens, featuring a built-in design with a draining board.

Constructed from a robust composite material, consisting of 60% mineral content and fiberglass, and 40% synthetic resin, this sink offers high shock resistance, excellent resistance to harsh chemicals, and is UV-resistant. Its easy-to-clean surface ensures lasting hygiene and appearance.

2. SAFETY INFORMATION

- Always read and understand all instructions before beginning installation or use.
- Professional installation is recommended for optimal safety and performance.
- Wear appropriate personal protective equipment (PPE) such as gloves and eye protection during installation.
- Ensure all water supply lines are turned off before commencing any plumbing work.
- Do not use harsh or abrasive cleaning agents on the sink surface, as this may cause damage.
- Keep small children and pets away from the work area during installation.

3. PACKAGE CONTENTS

Verify that all components are present and undamaged before proceeding with installation. If any parts are missing or damaged, contact your retailer immediately.

- Respekta ALINEO100 Built-in Sink with Draining Board
- Drain with 90 mm Strainer Basket
- Drain & Overflow Fittings
- Fixing Clamps for Installation



Image: The Respekta ALINEO100 sink shown with the drain and overflow fittings already installed, ready for plumbing connections.

4. SETUP AND INSTALLATION

The Respekta ALINEO100 sink is designed for built-in installation and is suitable for cabinets measuring 60 cm or more. The sink features a reversible design, allowing for two-way installation to best suit your kitchen layout. Tap holes are not pre-punched, providing flexibility for faucet placement.

4.1. Planning and Preparation

- Ensure adequate space in your cabinet (minimum 60 cm width).
- Determine the desired orientation of the sink (draining board left or right).
- Mark the cutout area on your countertop using the provided template (if included) or the dimensions below.



Image: Technical diagram illustrating the overall dimensions (1000mm x 500mm) and bowl dimensions (main bowl 330mm wide, secondary section 160mm wide, main bowl depth 200mm, secondary section depth 160mm) of the Respekta ALINEO100 sink.

4.2. Countertop Cutout

- Carefully cut the opening in your countertop according to the marked dimensions.
- Smooth any rough edges of the cutout.

4.3. Faucet Hole Preparation

- Identify the desired location for your faucet. The sink has pre-marked areas on the underside for tap holes.

- Using an appropriate hole saw, carefully punch out the tap hole from the top side of the sink.

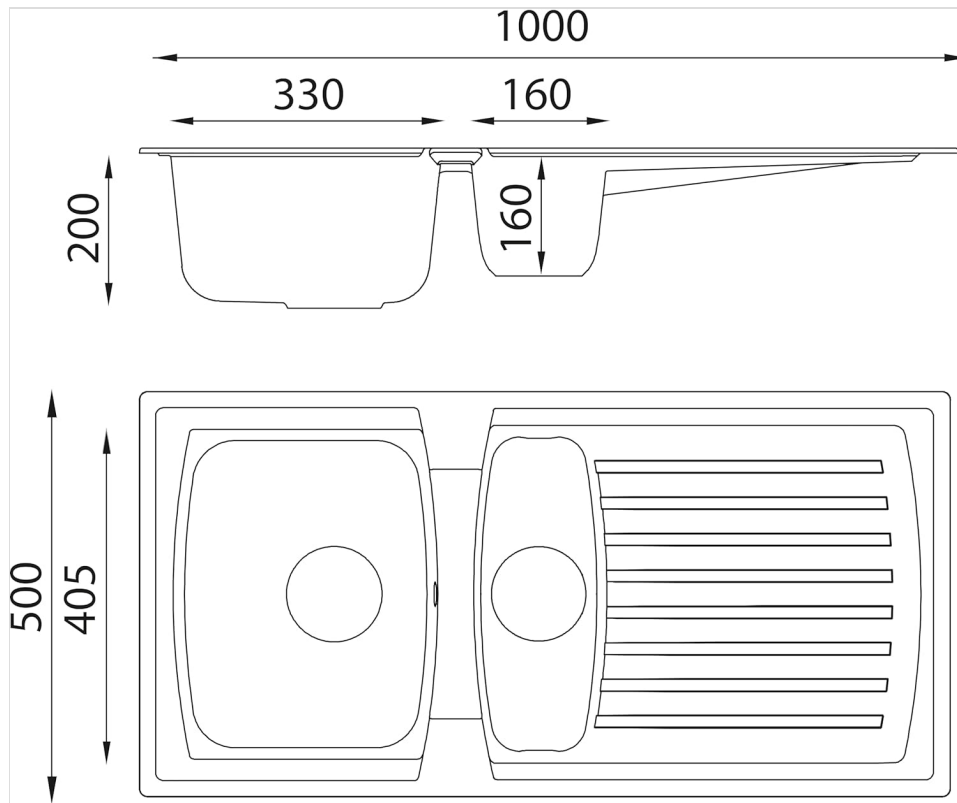


Image: A top-down view of the Respekta ALINEO100 sink, highlighting the two circular indentations where tap holes can be punched out for faucet installation.

4.4. Sink Installation

- Apply a suitable sealant around the edge of the countertop cutout to prevent water ingress.
- Carefully lower the sink into the cutout.
- Secure the sink from underneath using the provided fixing clamps. Tighten evenly to ensure a snug fit.

4.5. Plumbing Connections

- Install the drain with the 90 mm strainer basket into the main bowl.
- Connect the drain and overflow fittings according to the manufacturer's instructions for your specific plumbing system.
- Install your chosen kitchen faucet into the prepared tap hole and connect the water supply lines.
- Once all connections are made, turn on the water supply and check for any leaks. Tighten connections as necessary.



Image: A close-up view of the 90 mm strainer basket drain, showing its design for effective waste collection and water drainage.

5. OPERATING INSTRUCTIONS

The Respekta ALINEO100 sink is designed for everyday kitchen use. The main bowl is suitable for washing dishes and food preparation, while the integrated draining board provides a convenient area for drying items or preparing ingredients.

- **Water Flow:** Use your installed faucet to control water flow and temperature.
- **Strainer Basket:** The 90 mm strainer basket in the drain helps prevent food particles from entering your plumbing system. Regularly remove and clean the basket to ensure proper drainage.
- **Draining Board:** Utilize the ribbed draining board for air-drying dishes, glasses, or for temporary placement of wet items.



Image: An overhead view of the Respekta ALINEO100 black kitchen sink, featuring a chrome faucet, a main bowl, and a ribbed draining board. Kitchen accessories like a plant, sponge, and olive oil bottle are visible on the surrounding countertop.

6. MAINTENANCE AND CARE

The Respekta ALINEO100 sink features an easy-to-clean surface and is highly resistant to chemicals and UV radiation, ensuring long-term durability and appearance with proper care.

6.1. Daily Cleaning

- After each use, rinse the sink thoroughly with water to remove any food residues or liquids.
- Wipe the surface with a soft cloth or sponge and a mild dish soap solution.
- Rinse again and dry with a clean cloth to prevent water spots, especially in hard water areas.

6.2. Avoiding Damage

- **Avoid Abrasives:** Do not use abrasive cleaners, scouring pads, or steel wool, as these can scratch the surface.
- **Chemicals:** While resistant to many chemicals, avoid prolonged contact with strong acids, alkalis, or harsh solvents. Rinse immediately if contact occurs.
- **Heat:** Although durable, avoid placing extremely hot pots or pans directly onto the sink surface without protection.
- **Impact:** Despite high shock resistance, avoid dropping heavy or sharp objects into the sink to prevent potential damage.



Image: A detailed close-up showing the subtle texture and finish of the Respekta ALINEO100 black composite sink's edge, highlighting its durable material.

7. TROUBLESHOOTING

This section addresses common issues you might encounter with your kitchen sink.

7.1. Slow Drainage or Clogging

- **Strainer Basket:** Check if the strainer basket is full of food debris. Empty and clean it regularly.
- **P-Trap:** A clog might be in the P-trap beneath the sink. Place a bucket underneath, loosen the slip nuts, and remove any obstructions.
- **Drain Cleaner:** For persistent clogs, use a non-acidic drain cleaner suitable for kitchen drains,

following product instructions carefully.

7.2. Leaks Around Connections

- **Tighten Connections:** Check all plumbing connections (faucet, drain, overflow) for tightness. Hand-tighten first, then use a wrench for a quarter turn if necessary, being careful not to overtighten.
- **Sealant:** Ensure that the sealant around the sink's edge is intact and properly applied. Reapply if necessary.
- **Washers/Gaskets:** Inspect washers and gaskets for wear or improper seating. Replace if damaged.

7.3. Surface Stains or Discoloration

- **General Stains:** For most stains, a mild abrasive cleaner (e.g., baking soda paste) and a soft sponge can be used gently. Rinse thoroughly.
- **Hard Water Spots:** Use a solution of white vinegar and water (1:1 ratio) to dissolve mineral deposits. Let it sit for a few minutes, then rinse and dry.
- **Deep Stains:** For stubborn stains, consult the manufacturer's recommendations for composite sink cleaning products.

If you are unable to resolve an issue, it is advisable to contact a qualified plumber or the manufacturer's support.

8. SPECIFICATIONS

Brand	Respekta
Model Number	BOSTON100X50S
Color	Black
Material	Fibreglass Resin (60% mineral content & fibreglass, 40% synthetic resin)
Overall Dimensions (W x D)	100 cm x 50 cm (approx. 39.4 in x 19.7 in)
Main Bowl Dimensions (W x D x H)	33 cm x 40.5 cm x 20 cm (approx. 13 in x 15.9 in x 7.9 in)
Secondary Section Dimensions (W x D x H)	16 cm x 40.5 cm x 16 cm (approx. 6.3 in x 15.9 in x 6.3 in)
Item Weight	7.1 Kilograms (approx. 15.65 lbs)
Installation Type	Built-In
Drain Type	Grid (90 mm Strainer Basket)
Minimum Cabinet Size	60 cm
Style	Contemporary
Shape	Rectangular

9. WARRANTY INFORMATION

The Respekta ALINEO100 kitchen sink comes with a **2-year manufacturer's warranty**. This warranty covers defects in materials and workmanship under normal household use. It does not cover damage resulting from improper installation, misuse, abuse, accident, neglect, or unauthorized repairs or modifications.

Please retain your proof of purchase for warranty claims. For specific terms and conditions, refer to the warranty documentation provided with your product or contact Respekta customer service.

10. SUPPORT AND CONTACT

If you have any questions regarding the installation, operation, or maintenance of your Respekta ALINEO100 kitchen sink, or if you require technical assistance, please contact your retailer or the manufacturer directly.

For further information, you may visit the official Respekta website or consult your local dealer.