



Manuals.plus /

› QYT /

› QYT KT-8900D Mobile Transceiver User Manual

## QYT KT-8900D

# QYT KT-8900D Mobile Transceiver User Manual

Model: KT-8900D

## 1. INTRODUCTION

### 1.1 Product Overview

The QYT KT-8900D is a compact and powerful dual-band mobile transceiver designed for amateur radio enthusiasts. It offers reliable communication across VHF and UHF frequency ranges with quad standby capability, making it suitable for various mobile and base station applications.

### 1.2 Key Features

- Dual Band (VHF 136-174MHz, UHF 400-480MHz) and Quad Standby
- Output Power: VHF 25W, UHF 20W
- Large LCD Display with customizable colors
- Integrated Cooling Fan for extended operation
- External Speaker Jack and Program Jack
- Functions: FM Radio, PTT ID, DTMF, Remote Stun, Remote Kill, Repeater, Alarm, Monitor, High/Low Power Settings
- Compact and lightweight design

## 2. IMPORTANT SAFETY INFORMATION

Please read and understand all safety instructions before operating the transceiver. Failure to do so may result in injury, damage to the device, or voiding the warranty.

- **Power Supply:** Use only a 13.8V DC power supply. Ensure correct polarity when connecting.
- **Antenna:** Always connect a suitable antenna before transmitting to prevent damage to the radio.
- **Heat:** The transceiver's surface may become hot during prolonged transmission. Ensure adequate ventilation.
- **Driving Safety:** Do not operate the radio in a way that distracts you from driving.
- **Interference:** This device may cause interference to other electronic equipment.
- **Servicing:** Do not attempt to open or service the unit yourself. Refer all servicing to qualified personnel.

### 3. PACKAGE CONTENTS

Verify that all items listed below are included in your package:

- 1x QYT KT-8900D Mobile Transceiver
- 1x Speaker Microphone with DTMF Keypad
- 1x DC Power Cable with Cigarette Plug Connector
- 1x Radio Mounting Bracket
- 1x Microphone Mounting Bracket
- Mounting Hardware (screws, fuse)
- 1x Programming Cable (Windows 10 compatible)
- 1x User Manual (this document)

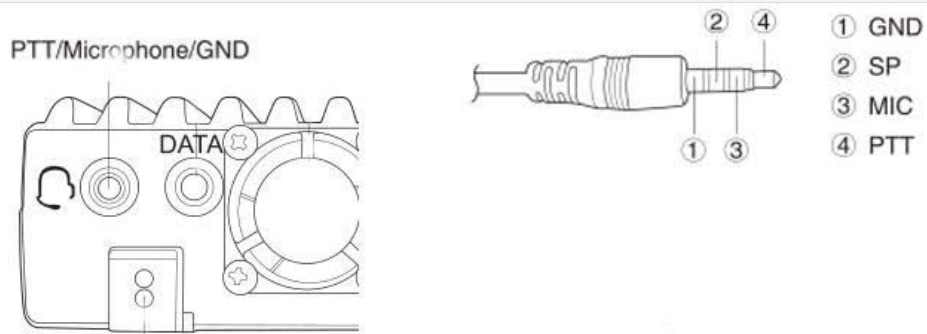


Image: QYT KT-8900D radio unit, speaker microphone, and DC power cable with cigarette plug connector.



Image: The QYT KT-8900D mobile transceiver shown with its included USB programming cable.

## 4. PRODUCT COMPONENTS AND CONTROLS

### 4.1 Front Panel



Image: Front view of the QYT KT-8900D showing the LCD display, control knobs, and function buttons.

- **LCD Display:** Shows frequency, channel, and status indicators.
- **V/M Button:** Toggles between VFO (Frequency) mode and Memory (Channel) mode.
- **CALL Button:** Accesses call channel or specific functions.
- **EXIT/ABCD Button:** Exits menu, or selects A/B/C/D VFO display.
- **MONI Button:** Opens the squelch to monitor weak signals.
- **FM Button:** Activates the FM broadcast radio receiver.
- **Volume/Power Knob:** Controls power on/off and audio volume.
- **Channel/Frequency Knob:** Adjusts frequency or navigates channels.
- **Microphone Port:** RJ45 connector for the speaker microphone.

## 4.2 Rear Panel



Image: Rear view of the QYT KT-8900D, highlighting the cooling fan, antenna connector, and power input.

- **Antenna Connector (SO-239):** For connecting an external antenna.
- **DC Power Input:** For connecting the 13.8V DC power cable.
- **Cooling Fan:** Helps dissipate heat during operation.
- **External Speaker Jack:** 3.5mm jack for an optional external speaker.
- **Data/Program Jack:** For connecting the programming cable or other data accessories.

## 4.3 Speaker Microphone



Image: A hand holding the speaker microphone, showing its keypad and function buttons.

- **PTT (Push-To-Talk) Button:** Activates transmission.
- **Keypad:** For direct frequency entry, DTMF tones, and menu navigation.
- **MENU Button:** Accesses the radio's menu system.
- **UP/DOWN Buttons:** Navigate through frequencies, channels, or menu options.
- **\*/SCAN Button:** Initiates scanning.
- **#/LOCK Button:** Locks the keypad.

## 5. SETUP AND INSTALLATION

### 5.1 Power Connection

Connect the supplied DC power cable to the power input port on the rear of the transceiver. Ensure the red wire connects to the positive (+) terminal and the black wire to the negative (-) terminal of your 13.8V DC power source. If using the cigarette plug adapter, simply plug it into your vehicle's 12V accessory socket.



Image: The QYT KT-8900D radio connected to its DC power cable with a cigarette lighter plug for vehicle use.

## 5.2 Antenna Connection

Connect a suitable VHF/UHF dual-band antenna to the SO-239 antenna connector on the rear of the transceiver. Ensure the connection is secure. Never transmit without an antenna connected.

## 5.3 Speaker Microphone Connection

Plug the RJ45 connector of the speaker microphone into the microphone port on the front panel of the transceiver. Ensure it clicks into place.



Image: A detailed diagram illustrating the pinout for the PTT, Microphone, and Ground connections on the transceiver's data port.

## 5.4 Mounting

Use the provided mounting bracket and hardware to securely install the transceiver in your desired location, such as a vehicle dashboard or a desk. Ensure the location allows for proper ventilation around the cooling fan.

# 6. OPERATING YOUR TRANSCEIVER

## 6.1 Power On/Off and Volume

Turn the Volume/Power knob clockwise to power on the transceiver. Continue turning to adjust the audio volume. Turn counter-clockwise until it clicks to power off.

## 6.2 Frequency and Channel Mode (VFO/Memory)

Press the **V/M** button to switch between VFO (Variable Frequency Oscillator) mode and Memory (Channel) mode. In VFO mode, you can directly input frequencies. In Memory mode, you can select pre-programmed channels.

## 6.3 Transmitting and Receiving

To receive, ensure the radio is powered on and an antenna is connected. Adjust the volume to a comfortable level. To transmit, press and hold the **PTT** button on the speaker microphone. Speak clearly into the microphone. Release the **PTT** button to return to receive mode.

## 6.4 FM Radio Function

Press the **FM** button on the front panel to activate the built-in FM broadcast radio receiver. Use the Channel/Frequency knob to tune to desired FM stations. Press **FM** again to exit FM radio mode.

## 6.5 Monitor Function

Press the **MONI** button to temporarily open the squelch, allowing you to hear very weak signals or to check for activity on a frequency without a strong enough signal to open the squelch automatically.

## 6.6 Programming

The KT-8900D can be programmed manually via the keypad or using computer software. For computer programming, use the included programming cable and compatible software such as CHIRP or MILKOR. Refer to the software's documentation for detailed programming instructions.

## 6.7 Advanced Features

- **PTT ID:** Configures the radio to send a unique identification code when the PTT button is pressed or released.
- **DTMF:** Allows sending Dual-Tone Multi-Frequency signals for various control purposes.
- **Remote Stun/Kill:** Features for disabling a lost or stolen radio remotely (requires compatible system).
- **Repeater Operation:** Configure offset and CTCSS/DCS tones for repeater access.
- **Alarm:** Activates an emergency alarm function.
- **High/Low Power Settings:** Adjust transmit power output (25W/10W for VHF, 20W/10W for UHF) to conserve battery or reduce interference.

# 7. MAINTENANCE

Proper maintenance ensures the longevity and optimal performance of your transceiver.

- **Cleaning:** Use a soft, dry cloth to clean the radio's surface. Do not use harsh chemicals or abrasive cleaners.
- **Storage:** Store the radio in a cool, dry place away from direct sunlight and extreme temperatures when not in use.
- **Connections:** Periodically check all cable connections (power, antenna, microphone) for tightness and wear.
- **Ventilation:** Ensure the cooling fan and vents are free from dust and obstructions.

## 8. TROUBLESHOOTING

If you encounter issues with your QYT KT-8900D, refer to the following common problems and solutions:

Problem	Possible Cause	Solution
No Power	Loose power cable; Blown fuse; Incorrect voltage.	Check power cable connection; Replace fuse in DC cable; Ensure 13.8V DC supply.
Cannot Transmit	No antenna connected; Incorrect frequency/offset; PTT button issue.	Connect antenna; Verify frequency and repeater settings; Check microphone connection.
No Receive / Weak Signals	Squelch set too high; Antenna issue; Incorrect frequency/CTCSS/DCS.	Adjust squelch level; Check antenna connection/condition; Verify frequency and tone settings.
Poor Audio Quality	Microphone issue; Speaker issue; Volume too low/high.	Check microphone connection; Test with external speaker; Adjust volume.
Programming Errors	Incorrect cable driver; Software incompatibility; Radio not in programming mode.	Install correct USB driver; Use compatible software (CHIRP/MILKOR); Ensure radio is connected and recognized.

For more detailed troubleshooting or issues not listed here, please consult the full user manual or contact customer support.

## 9. TECHNICAL SPECIFICATIONS

<b>Feature</b>	<b>Specification</b>
Model	KT-8900D
Frequency Range (VHF)	136-174 MHz (Rx/Tx)
Frequency Range (UHF)	400-480 MHz (Rx/Tx)
Output Power (VHF)	25 Watt
Output Power (UHF)	20 Watt
Number of Channels	200
Voltage	13.8 Volts DC
Dimensions (L x W x H)	4.96 x 40.55 x 1.85 inches (approx.)
Weight	2.12 pounds (approx.)
Special Features	Large LCD Display, Cooling Fan, FM Radio, PTT ID, DTMF, Remote Stun/Kill, Repeater, Alarm, Monitor, High/Low Power Settings
Included Components	Mobile Transceiver, Microphone with DTMF Keypad, Car Charger, Mounting Bracket, User Manual, Programming Cable



Image: The back of the QYT KT-8900D unit, showing the FCC ID and frequency range label.

## 10. WARRANTY AND SUPPORT

For warranty information, technical support, or service inquiries, please refer to the warranty card included with your product or contact QYT customer service directly. Keep your purchase receipt as proof of purchase.