

## Ergotron HX Premium Heavy Duty Monitor Arm

# Ergotron HX Premium Heavy Duty Monitor Arm User Manual

Model: HX Premium Heavy Duty Monitor Arm (B01MXYN33U)

Brand: Ergotron

## 1. INTRODUCTION

This manual provides detailed instructions for the installation, operation, and maintenance of your Ergotron HX Premium Heavy Duty Monitor Arm. Designed for flat or slightly curved ultrawide monitors up to 49 inches and weighing between 20 to 42 lbs, this VESA desk mount offers robust support and flexible positioning. Please read this manual thoroughly before installation and use to ensure safe and optimal performance.

## 2. SAFETY INFORMATION

- **Weight Capacity:** Do not exceed the maximum weight capacity of 42 lbs (19.1 kg). Ensure your monitor's weight is within the specified range.
- **Monitor Size:** Compatible with single screens up to 49 inches diagonal. For Samsung 49-inch Odyssey G9, the separate accessory HX Heavy Duty Tilt Pivot (98-540-216) is required.
- **Mounting Surface:** Ensure the desk surface is structurally sound and capable of supporting the combined weight of the monitor arm and monitor.
- **Assembly:** Follow all assembly instructions carefully. Improper installation can result in equipment damage or personal injury.
- **Adjustments:** Adjust tension settings only when the monitor is attached to prevent sudden movement of the arm.
- **Cable Management:** Route cables securely to prevent pinching or interference with arm movement.
- **Proposition 65 Warning:** This product may expose you to chemicals known to the State of California to cause cancer and birth defects or other reproductive harm.

### 3. PACKAGE CONTENTS

Verify that all components are present before beginning installation:

- Monitor Arm
- Extension Arm
- Monitor Pivot
- Mounting Hardware (screws, washers, Allen wrench)
- Two-piece Desk Clamp (for surfaces 0.4 to 2.6 inches thick)
- Grommet Mount (for installation through a surface hole)



Image: Contents of the Ergotron HX Desk Arm packaging, showing the arm components and various mounting hardware.

### 4. SETUP AND INSTALLATION

The Ergotron HX Monitor Arm offers multiple mounting options: a desk clamp or a grommet mount. Choose the method best suited for your workspace.

#### 4.1 Mounting Options

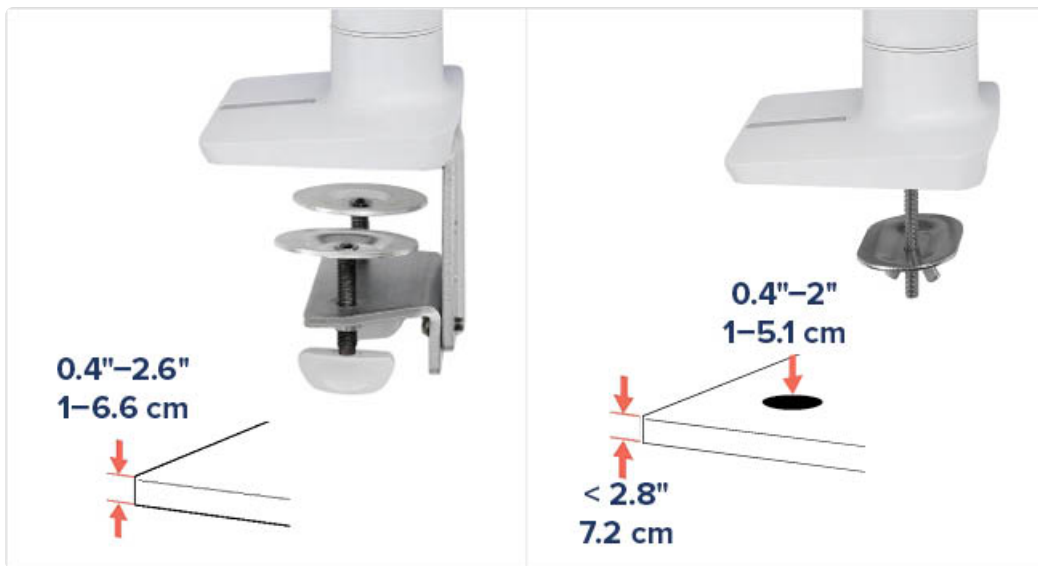


Image: Diagram illustrating the desk clamp and grommet mount options, including compatible desk thickness and hole sizes.

- **Desk Clamp:** Securely attaches to the edge of your desk. Compatible with surface edges 0.4 to 2.6 inches (1 to 6.6 cm) thick.
- **Grommet Mount:** Installs through an existing hole in your desk. Suitable for surface holes with a diameter of 0.4 to 2 inches (1 to 5.1 cm) and desk thickness up to 2.8 inches (7.2 cm).

## 4.2 Attaching the Monitor

1. Attach the VESA plate to the back of your monitor using the provided screws. The arm supports VESA patterns 75x75mm, 100x100mm, 200x100mm, and 200x200mm. A separate VESA Bracket Adaptor Kit (97-759) is available for larger VESA patterns.
2. Carefully slide the monitor (with the attached VESA plate) onto the monitor arm's pivot point until it clicks into place.
3. Secure the monitor to the arm using the quick-release mechanism or thumb screws, ensuring it is firmly seated.



Image: The monitor arm securely attached to the back of a monitor, showcasing the VESA mount connection.

Your browser does not support the video tag.

Video: "Review: Filmmakers Select the HX Arm for New Studio" - This video demonstrates the unboxing and assembly process of the Ergotron HX monitor arm, including attaching it to a monitor and desk.

## 5. OPERATING INSTRUCTIONS

The Ergotron HX Monitor Arm provides extensive adjustability for optimal ergonomic positioning.

### 5.1 Monitor Movement and Positioning

- **Height Adjustment:** The arm offers 11.5 inches (29 cm) of lift, allowing the screen to rise up to 17.8 inches (45.2 cm) above your desktop. Gently push or pull the monitor to the desired height.
- **Tilt:** Adjust the monitor's tilt angle up to 75 degrees to reduce glare and optimize viewing comfort.
- **Pan/Swivel:** Rotate the monitor 360 degrees at the pivot point for easy screen sharing or reorientation. The arm also allows for 180 degrees of swivel at the base.
- **Rotation:** Rotate the monitor from landscape to portrait mode as needed.

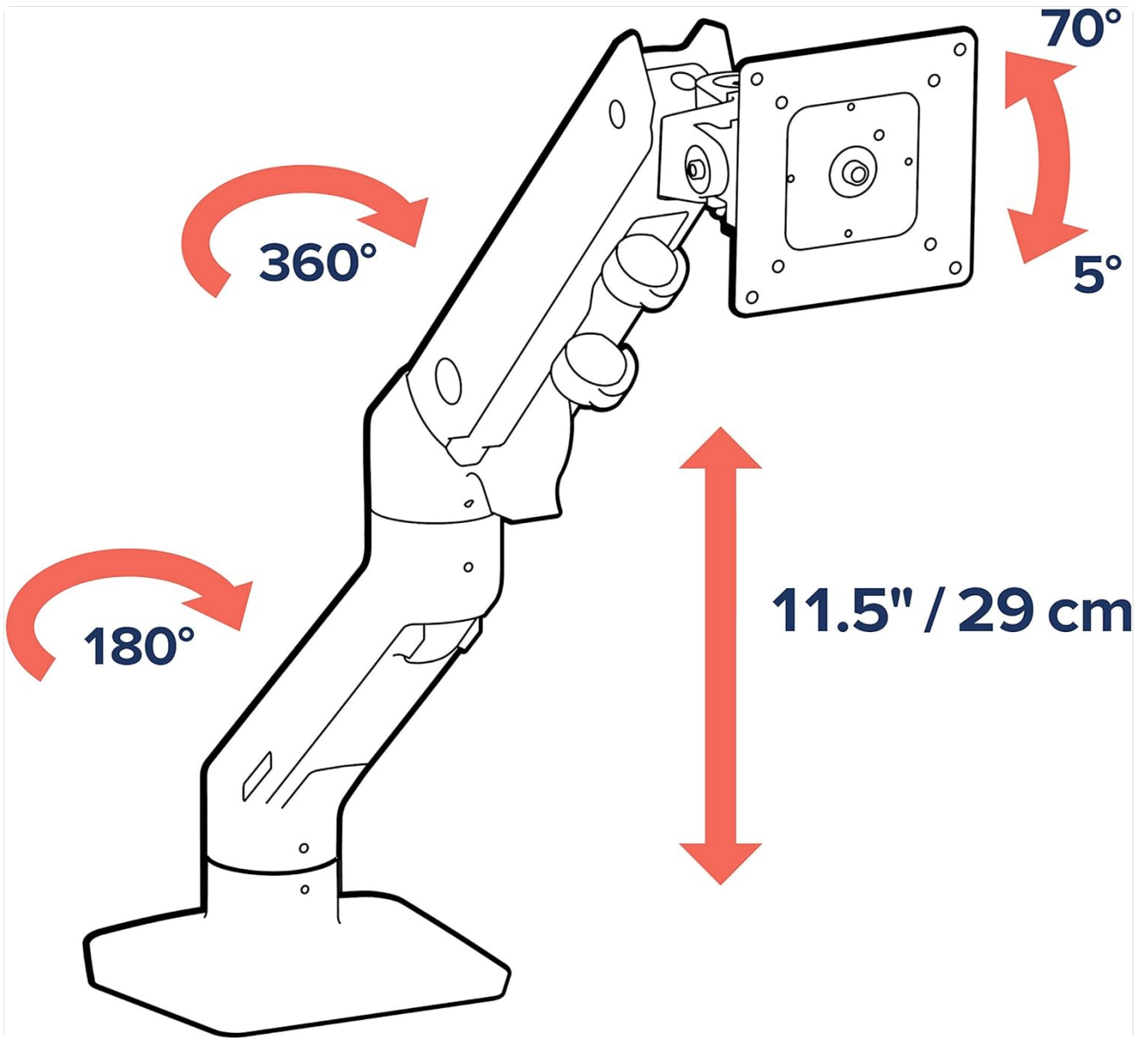


Image: Visual representation of the monitor arm's extensive movement capabilities.

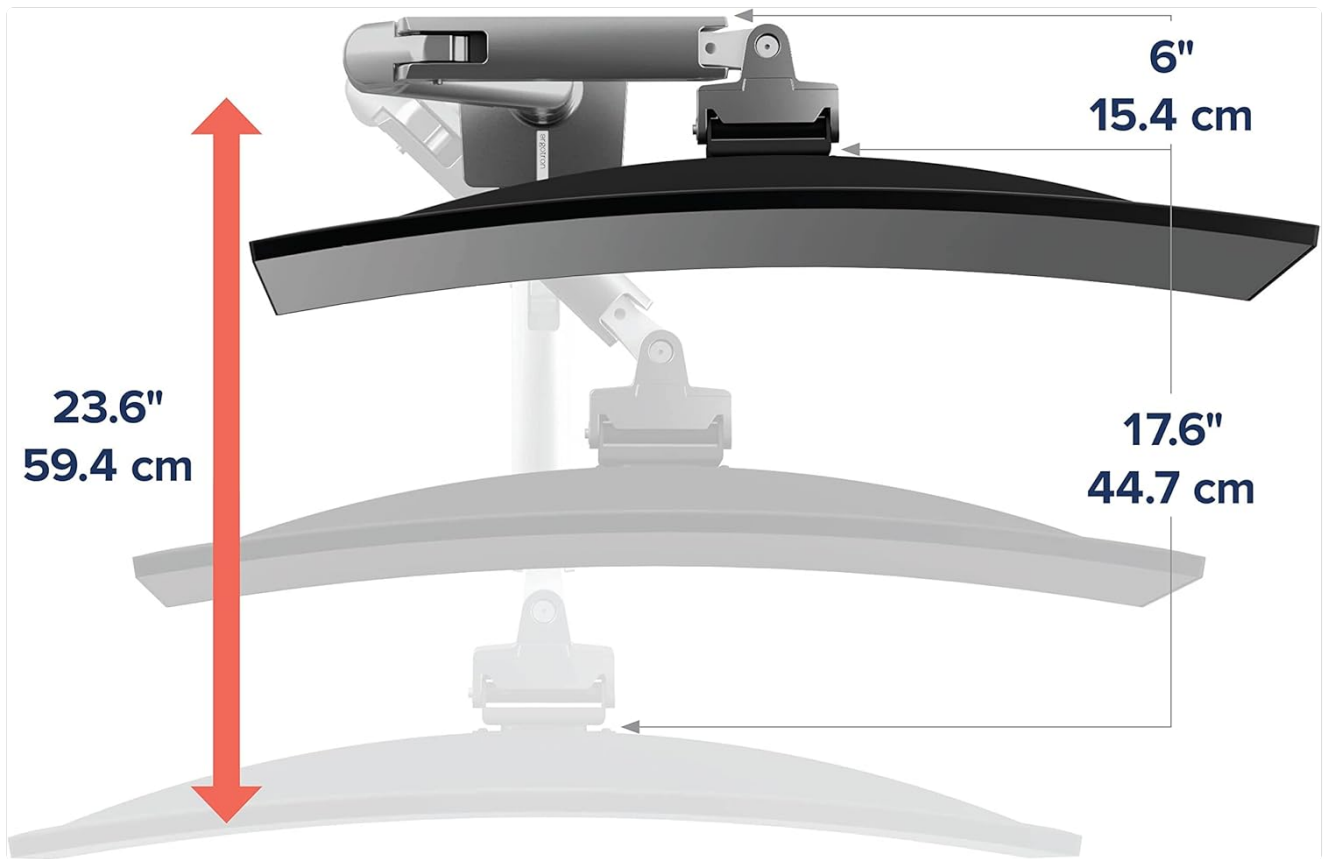


Image: Detailed diagram showing the vertical travel range of the monitor arm.

**Your browser does not support the video tag.**

Video: "When you need a huge monitor, that's when you want an HX arm" - This video highlights the ease of adjusting large monitors with the HX arm, demonstrating its smooth movement and stability.

**Your browser does not support the video tag.**

Video: "HX Desk Monitor Arm: Top Features & Benefits" - This video provides an overview of the key features and benefits of the Ergotron HX Desk Monitor Arm, including its adjustability and robust design.

## 6. ADJUSTMENTS AND ERGONOMICS

The arm's tension can be adjusted to match your monitor's weight, ensuring smooth movement and stable positioning. Use the provided Allen wrench to fine-tune the tension at the arm's joints.

- If the monitor drifts upwards, increase the tension.
- If the monitor sags downwards, decrease the tension.
- Adjust the tension gradually until the monitor stays in your desired position with minimal effort.



Image: Illustration of the monitor arm's weight capacity, indicating the range for proper tension adjustment.

## 6.1 Cable Management

Integrated cable management channels help keep your workspace tidy. Route monitor cables through the designated clips and channels along the arm to maintain a clean aesthetic and prevent cable damage.



Image: The monitor arm with cables neatly routed through its integrated management system.

## 7. MAINTENANCE

- **Cleaning:** Wipe the arm surfaces with a soft, damp cloth. Avoid abrasive cleaners or solvents that could damage the finish.
- **Periodic Checks:** Periodically check all screws and connections to ensure they are tight and secure. Re-tighten if necessary.
- **Lubrication:** The arm's internal mechanisms are designed for maintenance-free operation and do not require lubrication.

## 8. TROUBLESHOOTING

Problem	Possible Cause	Solution
Monitor sags or drifts downwards.	Arm tension is too low for monitor weight.	Increase the tension using the provided Allen wrench until the monitor holds its position.
Monitor is difficult to move or push upwards.	Arm tension is too high for monitor weight.	Decrease the tension using the provided Allen wrench until the monitor moves smoothly.
Monitor wobbles or feels unstable.	Loose connections or improper installation.	Ensure all mounting hardware and VESA plate screws are securely tightened. Verify the desk clamp or grommet mount is firm.
Cables are pinched or interfere with movement.	Improper cable routing.	Re-route cables through the integrated cable management channels, ensuring they have enough slack for full arm movement.

## 9. SPECIFICATIONS

**Brand:** Ergotron

**Model:** HX Premium Heavy Duty Monitor Arm

**Mounting Type:** Tabletop Mount (Clamp or Grommet)

**Movement Type:** Articulating

**Material:** Metal

**Color:** Polished Aluminum

**Compatible Devices:** Monitor, Television

**Maximum Supported Screen Size:** 49 Inches

**Minimum Supported Screen Size:** 1 Inches

**Weight Capacity:** 20 to 42 lbs (9.1 to 19.1 kg)

**Maximum Tilt Angle:** 75 Degrees

**Rotation:** 360 Degrees

**Lift:** 11.5 inches (29 cm)

**VESA Compatibility:** 75x75mm, 100x100mm, 200x100mm, 200x200mm (Adapter Kit 97-759 for larger patterns)

**Item Weight:** 6.9 Kilograms

**GTIN/UPC:** 698833060942

## 10. WARRANTY AND SUPPORT

Ergotron products are built to last and set the standard for quality.

- **Warranty:** This product comes with a 10-year manufacturer's warranty.
- **Spare Parts:** EU spare part availability duration is 10 years.

- **Technical Support:** For expert technical support or further assistance, please refer to the official Ergotron website or contact their customer service.