

[Manuals.plus](#) /

› [LogiLink](#) /

› LogiLink BP0014 Full Motion TV Wall Mount Instruction Manual (32-55 inch)

LogiLink BP0014

LogiLink BP0014 Full Motion TV Wall Mount

INSTRUCTION MANUAL FOR 32-55 INCH TELEVISIONS

Introduction

This manual provides detailed instructions for the safe and correct installation and operation of your LogiLink BP0014 Full Motion TV Wall Mount. Please read all instructions carefully before assembly and use. Retain this manual for future reference.

Safety Warning:

- Ensure the mounting surface can safely support the combined weight of the mount and the television.
- Do not exceed the maximum weight capacity of 50 kg (110 lbs).
- Always use appropriate tools and follow all installation steps precisely.
- If you are unsure about any part of the installation, consult a qualified professional.

Package Contents

Before beginning installation, verify that all components are present and undamaged. The package should contain:

- 1 x LogiLink BP0014 TV Wall Mount assembly
- Mounting hardware kit (screws, anchors, washers for various TV models and wall types)
- Instruction manual



Image: Packaging of the LogiLink BP0014 TV Wall Mount, showing the mount and its box.

Setup and Installation

Follow these steps carefully to install your TV wall mount.

1. **Prepare the Wall:** Identify the desired mounting location. Use a stud finder to locate wooden studs if mounting on drywall, or ensure you have appropriate anchors for concrete/brick walls. Mark the drilling points accurately.
2. **Attach Wall Plate:** Drill pilot holes at the marked locations. Secure the wall plate of the mount to the wall using the provided lag bolts and washers. Ensure it is level and firmly attached.
3. **Attach TV Brackets:** Carefully lay your TV face down on a soft, clean surface. Attach the vertical TV brackets to the back of your television using the appropriate screws and spacers from the hardware kit. Ensure the brackets are centered and securely fastened to the VESA mounting holes.
4. **Hang TV on Wall Plate:** With assistance, carefully lift the television and hook the attached TV brackets onto the wall plate. Ensure the brackets are properly seated and secured with any locking mechanisms provided.
5. **Adjust and Secure:** Once the TV is safely mounted, make any necessary tilt, swivel, or level adjustments. Tighten all adjustment screws to secure the TV in its desired position.

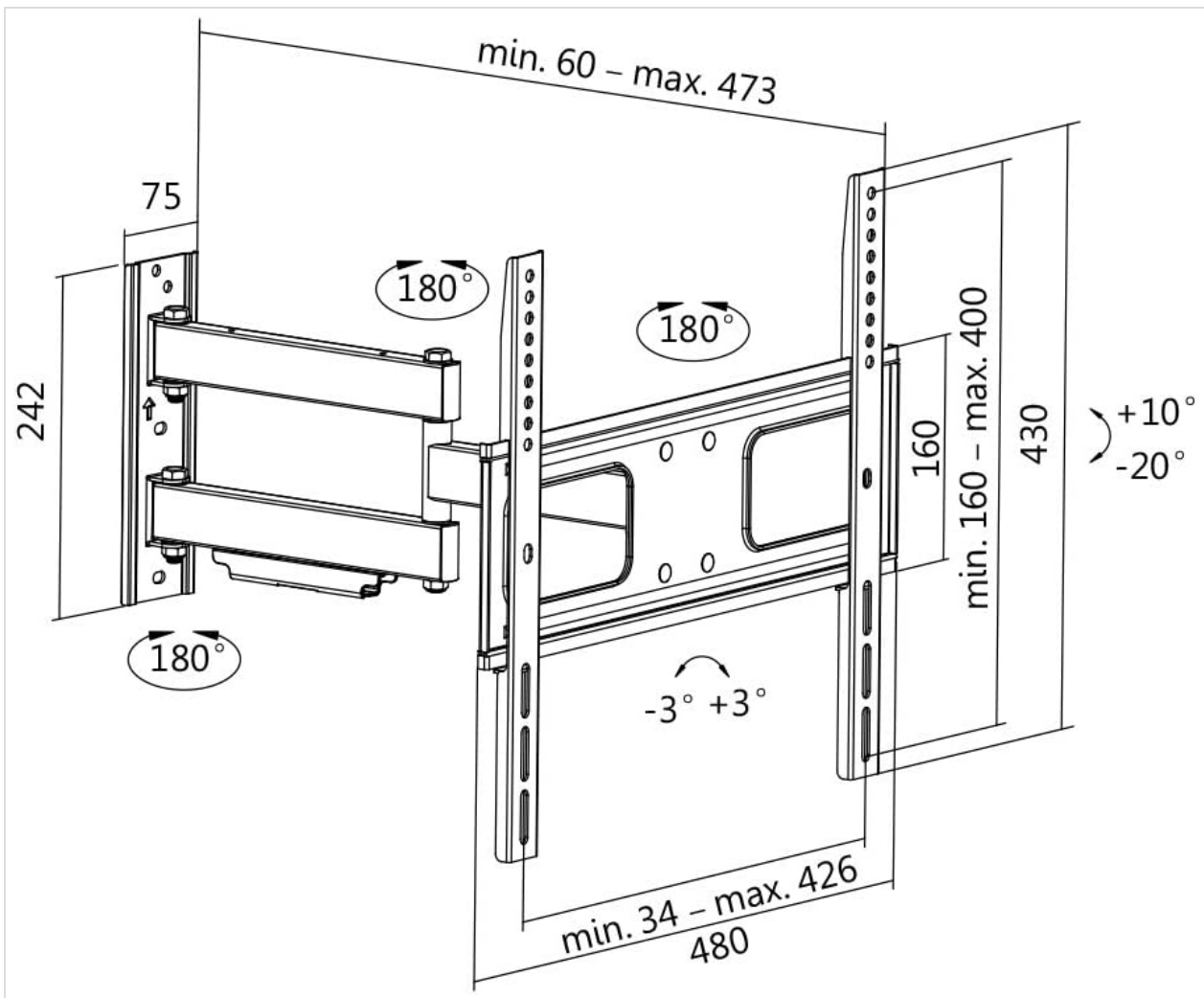


Image: Technical drawing illustrating the dimensions and range of motion for the LogiLink BP0014 TV Wall Mount. It shows minimum and maximum extension from the wall (60-473mm), height (242mm), and VESA compatibility (min. 160 - max. 400mm). Tilt range is $+10^\circ$ to -20° , and level adjustment is -3° to $+3^\circ$.

● Voll beweglich / Full motion

Art.-Nr. Part no.	Passend für Suitable for	Funktion Function	VESA VESA	Abstand zur Wand (mm) Distance to the wall (mm)
 BP0014	32"– 55" Max. 50 kg/ 110 lbs	Neigung: -20° / +10° Schwenkung: -90° / +90° Pegeleinstellung: -3° / +3° Tilt: -20° / +10° Swivel: -90° / +90° Level adjustment: -3° / +3°	200x200, 400x200, 300x300, 400x400	60–473 
 BP0015	32"– 55" Max. 50 kg/ 110 lbs	Neigung: -20° / +10° Schwenkung: -90° / +90° Pegeleinstellung: -3° / +3° Tilt: -20° / +10° Swivel: -90° / +90° Level adjustment: -3° / +3°	200x200, 400x200, 300x300, 400x400	62–475 
 BP0047	37"– 70" Max. 45 kg/ 99 lbs	Neigung: -8° / +5° Schwenkung: -90° / +90° Pegeleinstellung: -5° / +5° Tilt: -8° / +5° Swivel: -90° / +90° Level adjustment: -5° / +5°	200x200, 300x200, 300x300, 400x200, 400x300, 400x400, 600x400	Max. 620 Perfekt für Ecken Ideal for corners 
 BP0019	37"– 70" Max. 50 kg/ 110 lbs	Neigung: -20° / +10° Schwenkung: -90° / +90° Pegeleinstellung: -3° / +3° Tilt: -20° / +10° Swivel: -90° / +90° Level adjustment: -3° / +3°	200x200, 400x200, 300x300, 400x400, 600x400	60–473 
 BP0028	37"– 70" Max. 50 kg/ 110 lbs	Neigung: -20° / +10° Schwenkung: -90° / +90° Pegeleinstellung: -3° / +3° Tilt: -20° / +10° Swivel: -90° / +90° Level adjustment: -3° / +3°	200x200, 400x200, 300x300, 400x400, 600x400	62–475 



Image: A chart comparing various LogiLink full motion TV wall mount models. The BP0014 model is suitable for 32-55 inch TVs, has a maximum weight capacity of 50 kg (110 lbs), offers tilt of +10°/-20°, swivel of +90°/-90°, and level adjustment of +3°/-3°. It supports VESA patterns of 200x200, 300x300, 400x200, and 400x400 mm, with a wall distance of 60-473 mm.

Operating Instructions

The LogiLink BP0014 is a full motion TV wall mount, offering flexibility in viewing angles.

- **Swivel:** Gently push or pull the television to adjust its horizontal angle. The mount allows for a swivel range of up to 90 degrees left or right, depending on TV size and wall distance.
- **Tilt:** To adjust the vertical viewing angle, loosen the tilt adjustment knobs (if present) on the TV brackets, tilt the screen to the desired angle (+10° to -20°), and then re-tighten the knobs to secure.
- **Level Adjustment:** Small rotational adjustments (+3° to -3°) can be made to ensure the TV is perfectly level after installation. Refer to the specific mechanism on your mount for this adjustment.
- **Extension:** The articulated arms allow the TV to be extended from the wall, providing a variable distance between 60mm (minimum) and 473mm (maximum).

Always adjust the TV slowly and carefully to prevent damage or injury. Ensure all connections remain secure during adjustments.

Maintenance

Regular maintenance ensures the longevity and safe operation of your TV wall mount.

- **Cleaning:** Wipe the mount with a soft, dry cloth. Avoid using abrasive cleaners or solvents, as these can damage the finish.
- **Periodic Checks:** Periodically check all screws and bolts to ensure they remain tight. Over time, vibrations or adjustments can cause fasteners to loosen.
- **Lubrication:** The moving parts of the mount are designed for smooth operation and generally do not require lubrication. If movement becomes stiff, consult the manufacturer.

Troubleshooting

If you encounter issues with your LogiLink BP0014 TV Wall Mount, consider the following common solutions:

- **TV is not level:** Check the level adjustment mechanism on the mount. Loosen, adjust, and re-tighten to achieve a level display.
- **Mount feels loose:** Re-check all wall mounting bolts and TV bracket screws. Ensure they are securely tightened. Do not overtighten.
- **Difficulty adjusting movement:** Ensure no cables are snagged or obstructing movement. Check if any adjustment knobs or screws are overtightened, preventing free movement.
- **TV exceeds weight/size limits:** If your TV is heavier than 50 kg or larger than 55 inches, it is not compatible with this mount. Using an incompatible TV can lead to mount failure and damage.

For persistent issues, please contact LogiLink customer support.

Specifications

Feature	Specification
Model Number	BP0014
Compatible Screen Sizes	32 - 55 inches (81.3 cm - 139.7 cm)
Maximum Weight Capacity	50 kg (110 lbs)
VESA Compatibility (Min)	200 x 200 mm

Feature	Specification
VESA Compatibility (Max)	400 x 400 mm
Tilt Range	+10° to -20°
Swivel Range	+90° to -90°
Level Adjustment	+3° to -3°
Distance to Wall (Min-Max)	60 mm - 473 mm
Material	Alloy Steel, Stainless Steel, Aluminum
Color	Black
Mounting Type	Wall Mount

Warranty and Support

LogiLink products are designed for reliability and performance. This product comes with a standard manufacturer's warranty against defects in materials and workmanship. Please refer to the warranty card included in your package or visit the official LogiLink website for detailed warranty terms and conditions. For technical support, replacement parts, or further assistance, please contact your local LogiLink distributor or visit the LogiLink support portal. When contacting support, please have your product model number (BP0014) and purchase information ready.