

## VIVO MOUNT-VW01M

# VIVO Full Motion Ultrawide Monitor Wall Mount

Model: MOUNT-VW01M

Brand: VIVO

## 1. INTRODUCTION

Thank you for choosing the VIVO MOUNT-VW01M Full Motion Ultrawide Monitor Wall Mount. This manual provides essential information for the safe and proper installation, operation, and maintenance of your new wall mount. Please read this manual thoroughly before installation and keep it for future reference.

This wall mount is designed to securely hold ultrawide monitors up to 49 inches and weighing up to 44 lbs (20 kg). It features full motion capabilities including tilt, swivel, and extension, allowing for optimal viewing angles and space efficiency.

## 2. SAFETY INFORMATION

**WARNING:** Failure to read and follow all instructions, warnings, and cautions in this manual may result in serious personal injury, property damage, or voiding of your warranty.

- Do not exceed the maximum weight capacity of 44 lbs (20 kg).
- Ensure the mounting surface (wall) can safely support the combined weight of the mount and the monitor.
- Use appropriate mounting hardware for your wall type (wood stud, concrete, brick, etc.). If unsure, consult a qualified professional.
- Always have at least two people for installation to prevent injury or damage.
- Keep children and pets away during installation.
- Check all connections and fasteners periodically to ensure they remain secure.

## 3. PACKAGE CONTENTS

Please verify that all components are present and undamaged before beginning installation. If any parts are missing or defective, contact VIVO customer support.

The package includes the wall mount assembly and all necessary hardware for installation, including various screws

for monitor attachment and wall mounting.



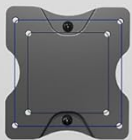
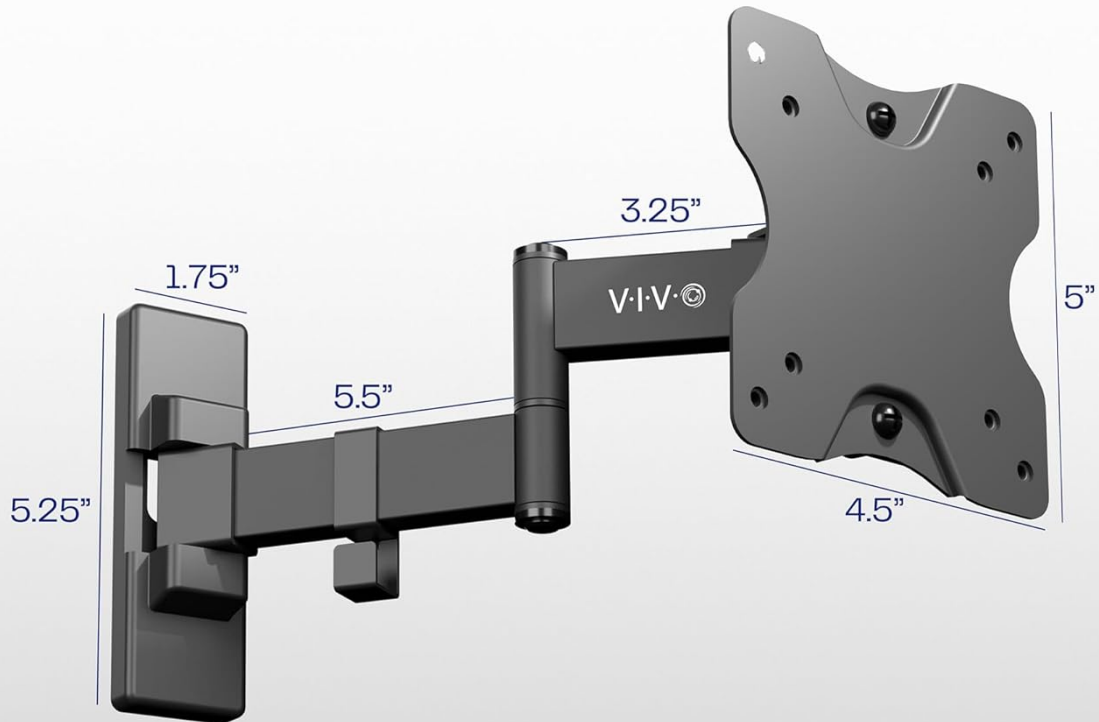
Image: Overview of the VIVO MOUNT-VW01M wall mount and its components.

## 4. SPECIFICATIONS

Feature	Specification
Model Number	MOUNT-VW01M
Material	Alloy Steel
Color	Black
VESA Compatibility	75x75mm, 100x100mm
Screen Size Compatibility	13" to 49" Ultrawide Monitors
Weight Capacity	Up to 44 lbs (20 kg)
Tilt Angle	+5° to -12°
Swivel Angle	±45°
Screen Leveling	±3°
Extension from Wall	1.75" (collapsed) to 10.5" (extended)

Feature	Specification
Product Dimensions	7.4 x 6.3 x 2.05 inches (folded)

## SOLID, STEEL Construction



**VESA** (mm)  
75x75  
100x100



**Screens**  
up to 49"



**Weight**  
up to 44lbs

Image: Detailed dimensions and weight capacity of the MOUNT-VW01M.

# SCREEN COMPATIBILITY

## Holds Screens 13"-49"



WEIGHT CAPACITY  
**44lbs**  
20kg

**VESA**

75mm x 75mm  
100mm x 100mm



\*Ultrawide adapter not included- This comes with your monitor

Image: Visual representation of screen compatibility and VESA standards supported.

## 5. SETUP AND INSTALLATION

Before installation, ensure you have the necessary tools (e.g., drill, stud finder, level, screwdriver) and understand your wall type.

### Step 5.1: Prepare the Wall

1. **Locate Studs:** For wood stud walls, use a stud finder to locate the center of the wood studs. Mark the desired mounting height.
2. **Mark Drilling Points:** Hold the wall plate against the wall at the desired height and use a pencil to mark the drilling locations. Ensure the plate is level using a spirit level.
3. **Drill Pilot Holes:** Drill pilot holes at the marked locations. The drill bit size will depend on your wall type and the provided lag bolts.

### Step 5.2: Attach Wall Plate

1. Align the wall plate with the drilled pilot holes.

2. Secure the wall plate to the wall using the provided lag bolts and washers. Tighten firmly, but do not overtighten.

### **Step 5.3: Attach VESA Plate to Monitor**

1. Carefully place your monitor face down on a soft, clean surface.
2. Identify the VESA mounting holes on the back of your monitor.
3. Select the appropriate screws (M4, M5, M6, M8) and spacers from the provided hardware kit that fit your monitor's VESA holes.
4. Attach the VESA plate (the part of the mount that connects to the monitor) to the back of your monitor using the selected screws and spacers. Ensure it is securely fastened.

### **Step 5.4: Mount Monitor to Wall Plate**

1. With assistance, carefully lift the monitor with the attached VESA plate.
2. Align the VESA plate with the arm extending from the wall plate and slide it into place.
3. Secure the monitor to the arm using the locking screws or mechanisms provided on the mount. Refer to the specific locking mechanism on your mount.



Image: The VIVO MOUNT-VW01M wall mount securely holding an ultrawide monitor.

## 6. OPERATING AND ADJUSTMENTS

Once installed, the MOUNT-VW01M allows for various adjustments to achieve your desired viewing angle and position.

### 6.1 Tilt Adjustment

The monitor can be tilted  $+5^\circ$  upwards and  $-12^\circ$  downwards to reduce glare and optimize viewing comfort. Loosen the tilt adjustment knob/bolt on the VESA plate, adjust the angle, and then re-tighten to secure.

### 6.2 Swivel Adjustment

The mount allows for a  $\pm 45^\circ$  swivel (left and right) from the wall, providing flexibility for different viewing positions within a room.

# Articulation



Image: Demonstrates the tilt and swivel capabilities of the mount.

## 6.3 Extension and Retraction

The articulating arm allows the monitor to extend up to 10.5 inches (26.7 cm) from the wall or collapse flat to 1.75 inches (4.4 cm) for a low-profile appearance.

**Max. Extension**  
10.5"



Image: Shows the monitor mount extended to its maximum distance from the wall.

## 6.4 Cable Management

The mount features integrated cable management clips along the arm. Route your monitor and power cables through these clips to maintain a clean and organized setup.



Image: Close-up of the integrated cable management clips on the mount arm.

## 7. MAINTENANCE

- **Cleaning:** Use a soft, damp cloth to clean the mount. Avoid harsh chemicals or abrasive cleaners.
- **Fastener Check:** Periodically (e.g., every 6 months) check all screws and bolts to ensure they are securely tightened. Loose fasteners can lead to instability.
- **Movement Check:** Ensure all articulating joints move smoothly. If any joint becomes stiff, apply a small amount of silicone-based lubricant (do not use oil-based lubricants).

## 8. TROUBLESHOOTING

### Issue: Monitor is wobbly or not holding position.

#### Solution:

- Check all mounting screws on the wall plate and the VESA plate. Ensure they are tightened securely.
- Verify that the monitor's weight does not exceed the mount's maximum capacity (44 lbs / 20 kg).
- Ensure the wall type is appropriate for the mount and that the wall anchors (if used) are properly installed and secure.
- For tilt adjustments, ensure the tilt knob/bolt is sufficiently tightened after positioning the monitor.

### Issue: Mount arm is difficult to move.

#### Solution:

- The joints may require lubrication. Apply a small amount of silicone-based lubricant to the pivot points.

- Ensure no cables are snagged or obstructing the movement of the arm.

## 9. WARRANTY AND SUPPORT

---

VIVO products are designed for quality and durability. For specific warranty details, please refer to the product packaging or the official VIVO website. In general, VIVO offers a return policy for refund or replacement within 30 days of purchase.

If you encounter any issues or have questions regarding your VIVO MOUNT-VW01M, please contact VIVO customer support. Our U.S.-based support team is available to assist you.

For the latest information and support, visit the official VIVO website: [vivo-us.com](https://vivo-us.com)

---

© 2024 VIVO. All rights reserved.  
Product specifications are subject to change without notice.