



[Manuals.plus](#) /

> [Ideal Standard](#) /

> Ideal Standard Tesi Bidet Mixer with Pop-up Waste (Model A6579AA) - Instruction Manual

## Ideal Standard A6579AA

# Ideal Standard Tesi Bidet Mixer with Pop-up Waste (Model A6579AA)

Instruction Manual

[Introduction](#)   [Safety Information](#)   [Package Contents](#)   [Setup & Installation](#)   [Operation](#)   [Maintenance](#)   [Troubleshooting](#)   [Specifications](#)   [Warranty & Support](#)

## 1. INTRODUCTION

---

This manual provides essential information for the safe installation, operation, and maintenance of your Ideal Standard Tesi Bidet Mixer with Pop-up Waste, Model A6579AA. Please read these instructions carefully before beginning installation and retain them for future reference.

The Ideal Standard Tesi Bidet Mixer is a single-lever faucet designed for bidet applications, featuring a chrome finish, adjustable spray angle, and an integrated pop-up waste system for convenience and hygiene.

## 2. SAFETY INFORMATION

---

- **Professional Installation Recommended:** Installation should be performed by a qualified plumber or competent person in accordance with local plumbing and building regulations.
- **Water Supply:** Ensure the main water supply is turned off before commencing any installation or maintenance work.
- **Water Pressure:** Verify that your water supply pressure is within the recommended operating range for this product.
- **Hot Water Temperature:** The mixer includes a hot water temperature limiter. Adjust it carefully to prevent scalding.
- **Cleaning:** Use only mild soap and water for cleaning. Abrasive cleaners or scouring pads can damage the chrome finish.

## 3. PACKAGE CONTENTS

---

Carefully unpack the box and ensure all the following components are present and undamaged:



Figure 1: All components included in the Ideal Standard Tesi Bidet Mixer package.

This image displays all components included in the Ideal Standard Tesi Bidet Mixer package: the bidet mixer faucet, pop-up waste assembly, flexible connection hoses, mounting hardware (gaskets, nut, crescent washer), and a lever for the pop-up waste.

- Ideal Standard Tesi Bidet Mixer Faucet
- Pop-up Waste Assembly (G1 1/4)
- Flexible Connection Hoses (G3/8)
- Mounting Kit (including gaskets, fixing nut, and crescent washer)
- Operating Lever for Pop-up Waste

## 4. SETUP & INSTALLATION

Before installation, ensure the bidet surface is clean and free from debris. Turn off the main water supply.

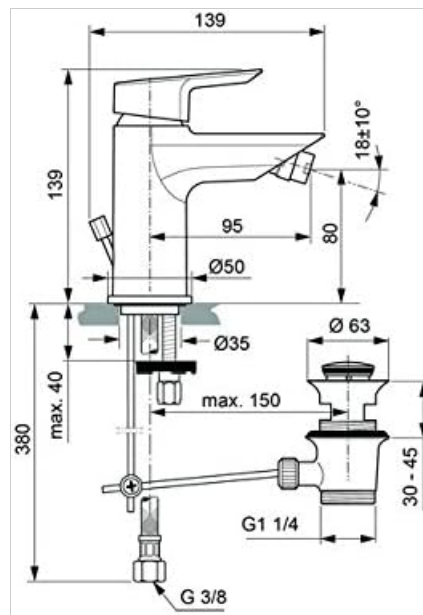


Figure 2: Technical dimensions and installation diagram.

This technical drawing provides detailed dimensions and installation requirements for the Ideal Standard Tesi Bidet Mixer. It shows the overall height (139mm), spout height (80mm), projection (95mm), base diameter (50mm), and connections for the G3/8 hoses and G1 1/4 pop-up waste. The adjustable spray angle of +/- 10 degrees is also indicated.

### 4.1. Faucet Installation

1. **Prepare the Bidet:** Ensure the mounting hole on the bidet is clean and correctly sized (minimum Ø35mm).
2. **Attach Hoses:** Screw the flexible G3/8 connection hoses into the base of the mixer faucet. Hand-tighten, then use a wrench for a quarter turn.
3. **Insert Faucet:** Place the faucet onto the bidet, ensuring the rubber gasket is correctly positioned between the faucet base and the bidet surface.
4. **Secure Faucet (EASY-FIX):** From underneath the bidet, slide the crescent washer and fixing nut onto the threaded rod extending from the faucet. Tighten the nut securely to fix the faucet in place. The centering seal ensures proper alignment.
5. **Connect Water Supply:** Connect the flexible hoses to the hot and cold water supply lines. Ensure correct hot (red marking) and cold (blue marking) connections.

### 4.2. Pop-up Waste Installation

1. **Assemble Waste:** Follow the instructions provided with the pop-up waste assembly (G1 1/4) to install it into the bidet's drain hole. Ensure all seals are correctly seated to prevent leaks.
2. **Connect Lever:** Connect the operating lever from the faucet to the pop-up waste mechanism. Test its operation to ensure the plug opens and closes smoothly.

After installation, slowly turn on the main water supply and check for any leaks. Operate the faucet to flush out any debris from the lines.

## 5. OPERATING INSTRUCTIONS

---

### 5.1. Water Flow and Temperature Control

The Ideal Standard Tesi Bidet Mixer features a single metal lever for controlling both water flow and temperature.

- **Turn On/Off:** Lift the lever upwards to turn on the water flow. Push it downwards to turn off.
- **Adjust Flow:** The further the lever is lifted, the greater the water flow.
- **Adjust Temperature:** Move the lever to the left for hot water (red marking) and to the right for cold water (blue marking). Adjust the lever position between left and right to achieve the desired water temperature.

### 5.2. Adjustable Spray Angle

The bidet mixer features an aerator with a ball joint, allowing for an adjustable spray angle of +/- 10 degrees. Gently tilt the aerator at the end of the spout to direct the water flow as needed.

### 5.3. Pop-up Waste Operation

The integrated pop-up waste is operated by a lever located at the rear of the faucet base. Push the lever down to close the bidet drain and pull it up to open the drain.

## 6. MAINTENANCE

---

### 6.1. Cleaning the Faucet

To maintain the chrome finish of your bidet mixer, follow these guidelines:

- Clean regularly with a soft cloth and mild soap and water.
- Rinse thoroughly with clean water after cleaning to remove any soap residue.
- Dry with a soft cloth to prevent water spots.
- **DO NOT** use abrasive cleaners, scouring pads, acidic cleaners, or cleaners containing bleach, ammonia, or alcohol, as these can damage the chrome finish and internal components.

### 6.2. Aerator Cleaning

If water flow becomes restricted or uneven, the aerator may be clogged with sediment. To clean:

1. Unscrew the aerator from the end of the spout.
2. Rinse the aerator under running water to remove any debris. Use a soft brush if necessary.
3. Reassemble the aerator and screw it back onto the spout.

### 6.3. Cartridge Replacement

The mixer is equipped with a durable 28mm ceramic cartridge. In case of persistent drips or difficulty controlling temperature/flow, the cartridge may need replacement. This is a task best performed by a qualified plumber.

## 7. TROUBLESHOOTING

---

Problem	Possible Cause	Solution
<b>Low Water Flow</b>	Clogged aerator; partially closed stopcock; low water pressure.	Clean the aerator (see Section 6.2); ensure stopcocks are fully open; check household water pressure.
<b>Water Leaks from Spout</b>	Worn cartridge; debris in cartridge.	Contact a qualified plumber for cartridge inspection or replacement.
<b>Water Leaks from Base</b>	Loose mounting nut; damaged gasket.	Ensure mounting nut is tight; check and replace gaskets if damaged. Turn off water supply before tightening.
<b>Difficulty Adjusting Temperature</b>	Cartridge issue; hot water temperature limiter set too low.	Consult a plumber for cartridge inspection; adjust hot water temperature limiter if accessible and safe to do so.

## 8. SPECIFICATIONS

Feature	Detail
<b>Brand</b>	Ideal Standard
<b>Model Number</b>	A6579AA
<b>Type</b>	Single-Lever Bidet Mixer with Pop-up Waste
<b>Finish</b>	Chrome
<b>Material</b>	Ceramic (cartridge), Metal (body, lever)
<b>Mounting Type</b>	Deck Mount, Single Hole (EASY-FIX)
<b>Cartridge Diameter</b>	28 mm (Ceramic)
<b>Spout Height</b>	80 mm
<b>Spout Projection</b>	95 mm
<b>Overall Height</b>	139 mm
<b>Base Diameter</b>	50 mm
<b>Adjustable Spray Angle</b>	+/- 10 degrees
<b>Connection Hoses</b>	Flexible G3/8
<b>Pop-up Waste</b>	G1 1/4
<b>Flow Rate (3 Bar)</b>	5 L/min
<b>Item Weight</b>	1.45 Kilograms
<b>Noise Behavior</b>	DIN 4109, Group 1

## 9. WARRANTY AND SUPPORT

Ideal Standard products are manufactured to high quality standards and are covered by a manufacturer's warranty. For specific warranty terms and conditions, please refer to the documentation provided with your purchase or visit the official Ideal Standard website.

For technical support, spare parts, or warranty claims, please contact your retailer or the Ideal Standard customer service department. Ensure you have your model number (A6579AA) and proof of purchase available when contacting support.