

3M 4US-MAXS-S01H

3M 4US-MAXS-S01H Quick Change Single Stage Drinking Water Filter System User Manual

Model: 4US-MAXS-S01H

1. PRODUCT OVERVIEW

The 3M 4US-MAXS-S01H Quick Change Single Stage Drinking Water Filter System is designed to provide clean, great-tasting water directly from a dedicated faucet. This high-performance system utilizes a single-stage filtration process to reduce various contaminants, ensuring healthier drinking water for your household.

Key Features:

- **High Performance Filtration:** Reduces lead, cryptosporidium, giardia cysts, chlorine taste and odor, sediment, rust, and dirt.
- **Quick-Change Filter Design:** Allows for easy and mess-free filter replacements without needing to turn off the water supply.
- **Dedicated Faucet:** Includes a separate faucet for filtered water access.
- **Improved Flow Rate:** Offers a 25% faster flow rate compared to similar under-sink drinking water filtration systems.

2. PARTS AND MATERIALS (INCLUDED)

Before beginning installation, ensure all parts listed below are present in your package. Refer to the diagram for visual identification of each component.

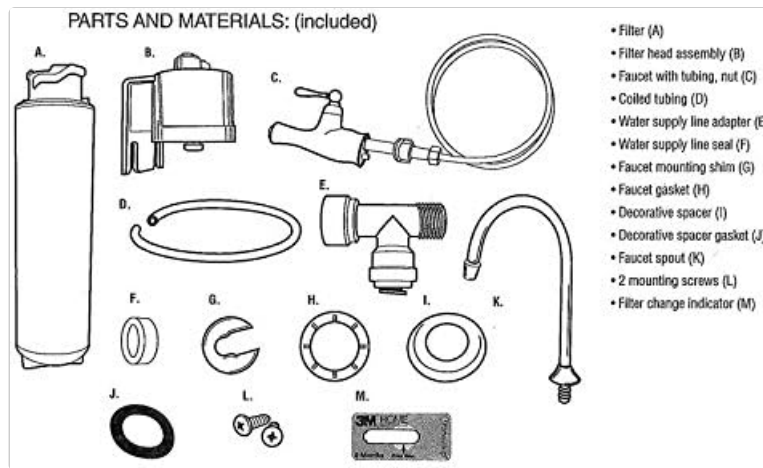


Image: Diagram illustrating all included parts for the 3M 4US-MAXS-S01H water filter system.

- A. Filter (A)
- B. Filter head assembly (B)
- C. Faucet with tubing, nut (C)
- D. Coiled tubing (D)
- E. Water supply line adapter (E)
- F. Water supply line seal (F)
- G. Faucet mounting shim (G)
- H. Faucet gasket (H)
- I. Decorative spacer (I)
- J. Decorative spacer gasket (J)
- K. Faucet spout (K)
- L. 2 mounting screws (L)
- M. Filter change indicator (M)

3. SETUP AND INSTALLATION

Proper installation is crucial for the optimal performance and longevity of your water filter system. Please read all instructions carefully before proceeding.

3.1 Pre-Installation Checklist:

- Ensure you have all parts listed in Section 2.
- Gather necessary tools: adjustable wrench, drill (if needed for faucet hole), screwdriver, bucket, towels.
- Locate a suitable mounting area under your sink, ensuring enough space for filter changes.
- Turn off the cold water supply to your sink before starting.

3.2 Installation Steps:

1. **Install Faucet:** If a dedicated faucet hole is not present, drill one according to the faucet's specifications. Secure the faucet (C) to the sink using the faucet gasket (H), decorative spacer (I), decorative spacer gasket (J), and mounting nut. Connect the faucet spout (K) if it's separate.
2. **Connect Water Supply Line Adapter:** Turn off the cold water supply. Disconnect the existing cold water line from the shut-off valve. Install the water supply line adapter (E) onto the cold water shut-off valve. **Caution:** The plastic fitting on the adapter can be easily cross-threaded. Ensure it is perfectly aligned and hand-tighten initially. Only use a wrench for the final snugging. Over-tightening can damage the fitting and cause leaks.

3. **Connect Tubing:** Connect one end of the coiled tubing (D) to the water supply line adapter (E) and the other end to the filter head assembly (B). Connect the tubing from the faucet (C) to the filter head assembly (B). Ensure all quick-connect fittings are fully inserted and secure.
4. **Mount Filter Head Assembly:** Choose a secure location under the sink to mount the filter head assembly (B) using the provided mounting screws (L). Ensure there is adequate clearance below for filter replacement.
5. **Install Filter:** Insert the filter cartridge (A) into the filter head assembly (B) by aligning the tabs and twisting until it locks into place.
6. **Check for Leaks:** Slowly turn on the cold water supply. Check all connections for leaks. If leaks occur, tighten connections carefully. If a leak persists from a quick-connect fitting, ensure the tubing is fully inserted and the connection is secure.
7. **Flush System:** Open the dedicated filtered water faucet and let water run for 5-10 minutes to flush out any carbon fines and air from the system. The water may appear cloudy initially; this is normal.

Important Considerations:

- If your existing cold water line uses a rigid pipe, you may need to replace it with a flexible supply line to accommodate the water supply line adapter and ensure proper fit.
- Familiarize yourself with quick-connect fittings before working under the sink to ensure proper connection and disconnection.

4. OPERATING INSTRUCTIONS

Once installed and flushed, your 3M water filter system is ready for use.

- To dispense filtered water, simply open the dedicated filtered water faucet.
- The system provides a strong flow rate for quick access to filtered water.
- For best results, use the filtered water for drinking, cooking, and preparing beverages.

5. MAINTENANCE AND FILTER REPLACEMENT

Regular filter replacement is essential to maintain the performance of your 3M water filter system and ensure continuous access to clean water.

5.1 Filter Replacement Schedule:

- The replacement filter model is **4US-MAXS-F01H**.
- Replace the filter cartridge every 6 months or sooner if you notice a significant drop in water flow or taste/odor issues.
- Use the included filter change indicator (M) to mark the installation date and remind you when to replace the filter.

5.2 Quick-Change Filter Replacement Steps:



Image: The 3M 4US-MAXS-F01H replacement filter cartridge.

1. **No Water Shut-off Required:** The quick-change design allows for filter replacement without turning off the main water supply.
2. **Remove Old Filter:** Grasp the old filter cartridge (A) and twist it counter-clockwise approximately a quarter turn until it releases from the filter head assembly (B). Pull the filter straight down to remove it. A small amount of water may drip out; this is normal.
3. **Install New Filter:** Remove the protective cap from the new 4US-MAXS-F01H replacement filter. Align the tabs on the new filter with the slots in the filter head assembly (B). Push the filter up and twist clockwise approximately a quarter turn until it locks securely into place.
4. **Flush New Filter:** Open the dedicated filtered water faucet and let water run for 5-10 minutes to flush out any air and carbon fines from the new filter.
5. **Reset Indicator:** Update your filter change indicator (M) with the new installation date.

Important Note Regarding Replacement Filters: Some users have reported difficulty in sourcing the 4US-MAXS-F01H replacement filters, with claims that 3M may no longer produce them. It is highly recommended to verify the availability of replacement filters before purchasing or relying on this system

long-term. Check with authorized retailers or 3M directly for current availability.

6. TROUBLESHOOTING

Problem	Possible Cause	Solution
Water Leaks	<ul style="list-style-type: none">Loose connectionsCross-threaded plastic fittingsImproperly seated quick-connect tubingDamaged O-rings or seals	<ul style="list-style-type: none">Turn off water supply. Tighten all threaded connections carefully, ensuring not to over-tighten plastic parts.Ensure quick-connect tubing is fully inserted and secure.Inspect O-rings and seals for damage; replace if necessary.If the plastic water supply line adapter is cross-threaded, it may need replacement.
Low Water Flow	<ul style="list-style-type: none">Clogged filter cartridgeAir in the systemPartially closed shut-off valveKinked tubing	<ul style="list-style-type: none">Replace the filter cartridge (refer to Section 5).Flush the system by running water from the dedicated faucet for several minutes to remove air.Ensure the cold water shut-off valve is fully open.Check all tubing for kinks or obstructions.
Unpleasant Taste or Odor	<ul style="list-style-type: none">Expired filter cartridgeSystem not flushed adequately	<ul style="list-style-type: none">Replace the filter cartridge (refer to Section 5).Flush the system thoroughly for 5-10 minutes.

7. SPECIFICATIONS

Feature	Detail
Brand	3M
Model Name / Number	4US-MAXS-S01H
Special Feature	Chlorine Reduction, NSF certified
Included Components	1 system & filter
Purification Method	Sedimentation
Power Source	Manual Operation
Item Weight	1.8 Pounds
UPC	051128890028
Manufacturer	Water Channel Partners

Feature	Detail
Unit Count	1.0 Count

8. WARRANTY INFORMATION

Specific warranty details for the 3M 4US-MAXS-S01H Quick Change Single Stage Drinking Water Filter System are not provided in this manual. For information regarding product warranty, please refer to the documentation included with your purchase or contact 3M customer support directly.

9. CUSTOMER SUPPORT

For technical assistance, replacement parts, or further inquiries about your 3M water filter system, please contact 3M customer support. Contact information can typically be found on the product packaging or the official 3M website.

Manufacturer: Water Channel Partners (for 3M)

Brand: 3M