

Steinel L 240 S

Steinel L 240 S LED Outdoor Wall Light with Motion Sensor

Model: L 240 S | Brand: Steinel

1. INTRODUCTION

Thank you for choosing the Steinel L 240 S LED Outdoor Wall Light. This manual provides essential information for the safe and efficient installation, operation, and maintenance of your new outdoor lighting solution. Please read these instructions carefully before beginning installation or use, and keep them for future reference.

2. SAFETY INSTRUCTIONS

- **Electrical Installation:** Installation must be carried out by a qualified electrician in accordance with national wiring regulations and local electrical codes.
- **Power Disconnection:** Always disconnect the power supply before performing any work on the light fixture.
- **Voltage:** Ensure the supply voltage matches the specifications of the light (230 Volts).
- **Damage:** Do not operate the light if it is damaged. Contact customer service for assistance.
- **Modifications:** Do not modify the product in any way. Unauthorized modifications may void the warranty and pose safety risks.
- **Operating Environment:** This product is designed for outdoor use and is water-resistant (IP44). Do not submerge it in water.

3. PACKAGE CONTENTS

Verify that all components are present before installation:

- Steinel LED Outdoor Light L 240 S
- Mounting material (4 x screws, 4 x wall plugs, 4 x spacers, 2 x securing screws, sealing plug)
- Masking plates for sensor adjustment
- Instruction Manual

4. PRODUCT OVERVIEW AND FEATURES

The Steinel L 240 S is an efficient LED outdoor wall light featuring an integrated infrared motion sensor. It provides optimal illumination for entrances and patios with a warm-white light (3000 Kelvin).



 LED <small>30 years (@ 4.5h / day)</small>	 <small>infrared sensor 180°</small>	 <small>max. 10 m</small>	 <small>IP44</small>
<small>3000 K warm-white</small>	 <small>2 - 2000 lux</small>	 <small>8 sec - 35 min</small>	 <small>VIEW IN YOUR SPACE</small>

Diagram illustrating key features of the Steinel L 240 S LED outdoor light, including LED lifespan, infrared sensor, detection range, IP44 rating, color temperature, brightness adjustment, and time setting. [View in your space \(AR\)](#)

Quality.

Made by STEINEL.

 Zertifizierte Qualität <small>Certified quality</small>	<small>3 years</small> Herstellergarantie <small>Manufacturer's warranty</small>
 Entwickelt in Deutschland <small>German engineering</small>	 Persönlicher Kundenservice <small>Personal customer service</small>

Detailed diagram showing features like stainless steel trim, elegant ambient light, 90-degree swivel sensor, 180-degree detection with 10m range, stepless time and twilight adjustment, impact-resistant material (IK07), and automatic light activation upon movement.

Key Features:

- **Optimal Illumination:** Efficient Steinel LEDs provide 946 lumens of warm-white light (3000K).
- **Reliable Detection:** 180-degree infrared sensor with a detection range of up to 10 meters.
- **Long Lifespan:** LEDs designed for approximately 30 years of use, eliminating the need for frequent bulb replacement.
- **Durable Construction:** Impact-resistant LED wall light with a stainless steel panel.

- **Adjustable Sensor:** Sensor can be rotated vertically by 90 degrees for precise detection area targeting.
- **Customizable Settings:** Stepless adjustment of light duration and brightness (twilight threshold).
- **Energy Efficiency:** Contains a light source of energy efficiency class D.

5. INSTALLATION

The Steinel L 240 S LED Outdoor Wall Light is designed for straightforward installation, similar to conventional light fixtures. However, for safety and optimal performance, professional installation by a qualified electrician is highly recommended.

Installation Steps:

1. **Prepare the Installation Site:** Choose a suitable location on an outdoor wall. Ensure the power supply to the installation area is switched off at the main circuit breaker.
2. **Mark Drilling Points:** Use the light fixture as a template to mark the drilling points on the wall.
3. **Drill Holes and Insert Plugs:** Drill holes at the marked points and insert the provided wall plugs.
4. **Connect Wiring:** Connect the electrical wires (Live, Neutral, Earth) to the corresponding terminals in the light fixture. Ensure all connections are secure.
5. **Mount the Fixture:** Secure the light fixture to the wall using the provided screws and spacers.
6. **Restore Power:** Once the light is securely mounted and wired, restore power at the main circuit breaker.

After installation, proceed to adjust the sensor settings as described in Section 7.

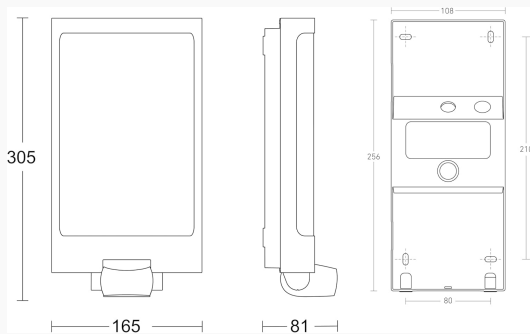


6. OPERATION

The Steinel L 240 S LED Outdoor Wall Light operates automatically based on motion detection and ambient light levels. When the sensor detects movement within its detection range and the ambient light falls below the set twilight threshold, the light will switch on for the pre-configured duration.



Steinel L 240 S LED outdoor light illuminating an entrance at night.



Steinel L 240 S LED outdoor light installed next to a door, providing illumination.

7. SETTINGS ADJUSTMENT

The light offers several adjustable settings to customize its behavior:

- **Sensor Rotation:** The infrared sensor can be rotated vertically by 90 degrees. This allows you to precisely define the detection area and avoid unwanted triggers.
- **Time Setting:** Adjust the duration the light remains on after motion detection. This setting is stepless, allowing fine-tuning.
- **Twilight Threshold:** Set the ambient brightness level at which the motion sensor becomes active. This is also a stepless adjustment.
- **Masking Plates:** Use the included masking plates to further restrict the sensor's detection area, for example, to exclude public pathways or neighboring properties.

8. MAINTENANCE

The Steinel L 240 S LED Outdoor Wall Light requires minimal maintenance.

- **Cleaning:** Clean the light fixture regularly with a soft, damp cloth. Do not use abrasive cleaners or solvents, as these can damage the surface.
- **LED Lifespan:** The integrated LEDs have a long lifespan (approx. 30 years), meaning there is no need to replace bulbs.
- **Inspection:** Periodically check the light for any signs of damage or wear. If any issues are found, disconnect power and contact customer service.

9. TROUBLESHOOTING

If you experience issues with your Steinel L 240 S, refer to the following troubleshooting guide:

Problem	Possible Cause	Solution
Light does not turn on.	No power supply. Twilight threshold set too high. Sensor detection area obstructed or incorrectly aimed.	Check circuit breaker. Adjust twilight threshold to a lower setting. Adjust sensor angle or clear obstructions.
Light stays on continuously.	Continuous motion in detection area. Time setting too long. Sensor faulty.	Adjust sensor detection area or use masking plates. Reduce the time setting. Contact customer service.
Light turns on without apparent motion.	Sensor detecting small animals, moving branches, or heat sources. Sensor sensitivity too high.	Adjust sensor angle, use masking plates, or reduce sensitivity if adjustable (refer to full manual).
Light flickers.	Unstable power supply. Loose wiring connection.	Consult an electrician to check power supply stability. Ensure all wiring connections are secure (disconnect power first).

10. SPECIFICATIONS

Feature	Specification
Model Number	010461
Dimensions (L x W x H)	8.1 x 16.5 x 30.5 cm
Weight	840 g
Material	UV-resistant plastic with stainless steel trim
Color	Stainless steel
Light Source	LED
Wattage	9.3 W
Brightness	946 Lumens (max)
Color Temperature	3000 Kelvin (Warm White)
Voltage	230 Volts
Motion Sensor	180-degree Infrared
Detection Range	Up to 10 meters
Protection Class	IP44 (Water-resistant)
Impact Resistance	IK07

Feature	Specification
Mounting Type	Wall mounting
Energy Efficiency Class	D

11. WARRANTY AND SUPPORT

Steinel products are known for their quality and reliability. This product comes with a **3-year manufacturer's warranty**, covering defects in materials and workmanship. Please retain your proof of purchase for warranty claims.



Image highlighting quality aspects: Certified quality, 3 years manufacturer's warranty, German engineering, and personal customer service.

For technical support, warranty claims, or any questions regarding your Steinel L 240 S LED Outdoor Wall Light, please contact Steinel customer service. You can find contact information on the official Steinel website or through your retailer.

German Engineering: Designed in Germany, Steinel products are developed to provide energy efficiency, comfort, and safety.