

Manuals.plus /

- › TONE /
- › TONE K700 Combination Tool Set User Manual

TONE K700

TONE K700 Combination Tool Set User Manual

Model: K700

1. INTRODUCTION AND OVERVIEW

The TONE K700 Combination Tool Set is a comprehensive 36-piece collection designed for a wide range of tasks. This set provides essential tools for both professional and home use, ensuring you have the right instrument for various applications. It features a durable case for organized storage and easy transport.

Key components include a variety of sockets, wrenches, pliers, screwdrivers, a hammer, and hex keys, all manufactured to TONE's quality standards. This manual provides instructions for the proper setup, operation, maintenance, and troubleshooting of your K700 tool set.





Figure 1.1: The TONE K700 Combination Tool Set, showcasing its full contents within the robust carrying case.

2. SETUP

Upon receiving your TONE K700 tool set, follow these steps to ensure proper setup and readiness for use:

1. **Unpacking:** Carefully remove the tool set from its packaging. Inspect the carrying case and all tools for any signs of damage that may have occurred during shipping.
2. **Familiarization:** Open the tool case and familiarize yourself with the layout and location of each tool. The case is designed to hold each tool securely in its designated spot.
3. **Initial Inspection:** Check each tool for cleanliness and proper function. Ensure all moving parts (e.g., ratchet mechanism, plier jaws) operate smoothly.
4. **Storage:** Always return tools to their designated slots in the case after use. This prevents loss, protects the tools

from damage, and keeps them organized for future tasks.



Figure 2.1: The TONE K700 tool set in its closed, portable carrying case.

3. OPERATING INSTRUCTIONS

Using the TONE K700 tool set effectively and safely requires understanding the basic operation of each tool type. Always prioritize safety by wearing appropriate personal protective equipment (PPE) such as safety glasses and gloves.

3.1. Sockets and Ratchet Handle

- **Selection:** Choose the correct socket size (12-point) that precisely fits the fastener head to prevent rounding.

- **Attachment:** Attach the selected socket to the 1/2 inch (12.7 mm) drive ratchet handle (Hold Type: RH4H). Ensure it clicks securely into place.
- **Extension Bars & Ball Joint:** Use the 75mm or 150mm extension bars (320, 321) for reaching recessed fasteners. The BJ40 Ball Joint allows for angled access.
- **Operation:** Turn the ratchet handle in the desired direction (clockwise for tightening, counter-clockwise for loosening). The ratchet mechanism allows for continuous turning without repositioning the handle.

3.2. Spanners (Combination Wrenches)

- **Selection:** Select the spanner (DS series) that matches the fastener size.
- **Application:** Use the open end for quick engagement and the box end for a more secure grip and higher torque application.
- **Technique:** Always pull the wrench towards you rather than pushing, to prevent injury if the wrench slips.

3.3. Pliers and Adjustable Wrench

- **Combination Slim Pliers (CPS-200G):** Ideal for gripping, bending, and cutting wires.
- **Radio Pliers (RP-150G):** Suitable for delicate work, holding small objects, and bending wires in tight spaces.
- **Monkey Wrench (MW-200):** Adjust the jaw opening to fit various nut and bolt sizes. Ensure the jaws are tight on the fastener before applying force.

3.4. Screwdrivers and Bit Ratchet Set

- **Power Grip Drivers (PGMD-100, PGPD-001, 002):** Select the correct tip (Phillips or flathead) that fits the screw head to prevent cam-out and damage. Apply firm, steady pressure while turning.
- **Bit Ratchet Set (BRS20):** Use with various bits (Phillips, Hexagon, Torx) for versatility. The ratchet mechanism allows for efficient turning in confined spaces.

3.5. Combination Hammer (BHC-05)

- **Usage:** The 0.5 lbs hammer is suitable for light striking tasks, such as tapping components into place or driving small nails.
- **Safety:** Always strike squarely and wear safety glasses to protect against flying debris.

3.6. Long Ball Point L-shaped Hex Key Set (BL series)

- **Selection:** Choose the hex key that perfectly fits the hexagonal socket of the fastener.
- **Ball Point Feature:** The ball end allows for angled entry into the fastener, useful in tight spaces, while the straight end provides maximum torque.

コンビネーションツールセット

COMBINATION TOOL SET

製品番号 **K700**

セット内容 **全57点**

製品名	製品番号/仕様	
ソケット (12角) DEEP SOCKET (12pt)	4D-	10, 12, 13, 14, 15, 17, 19, 21, 22, 24
ラチェットハンドル(ホールドタイプ) RATCHET HANDLE (SOCKET HOLD TYPE)	RH4H	
エクステンションバー EXTENSION BAR	320 (75mm), 321 (150mm)	
ボールジョイント BALL JOINT	BJ40	
スパナ SPANNER	DS-	5.507, 0810, 1113, 1214, 1719, 2224
モンキレンチ ADJUSTABLE WRENCH	MW-200	
コンビネーションスリムプライヤ (マスターグリップ) COMBINATION SLIM PLIERS	CPS-200G	
ラジオペンチ NEEDLE NOSE PLIERS	RP-150G	
パワーグリップドライバー (貫通) POWER GRIP SCREWDRIVER	PGMD- 100	◎六角軸ドライバー
	PGPD- 001, 002	⊕六角軸ドライバー
コンビネーションハンマー COMBINATION HAMMER	BHC-05 (0.5ポンド)	
ロングボールポイントL形レンチ LONG BALL POINT HEX KEY WRENCH SET	BL-	2.5, 03, 04, 05, 06, 08, 10
ビットラチェットセット (BRS20) BIT RATCHET SET	BR	ビットラチェット
	RDBH-065 (65mm)	ビットホルダー
	BT-P1, P2, P3 (各2個)	⊕ドライバービット
	BT-M5.5, M6, M8	◎ドライバービット
	BT-H4, H5, H6, H8	ヘキサゴンビット
	BT-T15H, T20H, T25H, T27H, T30H, T40H	T型トルクスビット (いじり筋止タイプ)
	BTA2 (1/4" 6.35mmソケット用)ビットアダプター	
	プラスチックケース (ベルトフック付)	
ツールケース TOOL CASE	TBP008	

Figure 3.1: Individual components of the TONE K700 tool set, demonstrating the range of tools included.

4. MAINTENANCE

Proper maintenance extends the life of your TONE K700 tool set and ensures optimal performance. Follow these guidelines:

- **Cleaning:** After each use, wipe down tools with a clean, dry cloth to remove dirt, grease, and debris. For stubborn grime, a mild degreaser can be used, followed by thorough drying.
- **Lubrication:** Periodically apply a light coat of machine oil to moving parts, such as the ratchet mechanism, plier pivots, and adjustable wrench screw, to ensure smooth operation and prevent rust.
- **Inspection:** Regularly inspect tools for signs of wear, damage, or corrosion. Look for bent shafts, chipped edges, worn teeth on wrenches, or cracks in handles. Replace or repair damaged tools immediately.
- **Storage:** Always store the tools in their original case in a dry, clean environment. Avoid storing them in damp or humid conditions, which can lead to rust. The tool case (TBP008) is designed for secure and organized storage.

5. TROUBLESHOOTING

While TONE tools are built for durability, occasional issues may arise. Here are some common troubleshooting tips:

- **Ratchet Handle Slipping:** If the ratchet mechanism slips, it may be due to excessive force, wear, or lack of lubrication. Clean the mechanism and apply a light lubricant. If slipping persists, the internal mechanism may be worn and require professional service or replacement.
- **Sockets Rounding Fasteners:** This usually indicates using the wrong size socket or applying excessive torque at an angle. Ensure the socket fits snugly and apply force directly in line with the fastener.
- **Tools Sticking/Stiff:** Pliers or adjustable wrenches may become stiff due to dirt or lack of lubrication. Clean the pivot points and apply a penetrating lubricant, then work the joint until it moves freely.
- **Corrosion/Rust:** If rust appears, it can often be removed with a wire brush or fine abrasive paper, followed by cleaning and oiling. Prevent rust by always storing tools dry and clean.

For issues not covered here, or if a tool is severely damaged, it is recommended to contact TONE customer support or a qualified tool repair specialist.

6. SPECIFICATIONS

The TONE K700 Combination Tool Set includes the following specifications and components:

Category	Specification/Component
Model Number	K700
Drive Size	0.5 inch (12.7 mm)
Set Quantity	36 pieces
External Dimensions (W x D x H)	Approx. 15.7 x 12.8 x 4.1 inches (400 x 326 x 105 mm)
Set Weight	Approx. 12.9 lbs (5.4 kg)
Tool Case	TBP008

Included Components:

- **Sockets (12-point):** 4D-10, 12, 13, 14, 15, 17, 19, 21, 22, 24
- **Ratchet Handle (Hold Type):** RH4H
- **Extension Bars:** 320 (75mm), 321 (150mm)
- **Ball Joint:** BJ40
- **Spanners:** DS-5.507, 00810, 1113, 1214, 1719, 2224
- **Monkey Wrench:** MW-200
- **Combination Slim Pliers:** CPS-200G
- **Radio Pliers:** RP-150G
- **Power Grip Drivers (Throughout):** PGMD-100, GPGD-001, 002
- **Bit Ratchet Set:** BRS20 (includes various bits)

- **Combination Hammer:** BHC-05 (0.5 lbs)
- **Long Ball Point L-shaped Wrench Set:** BL-2.5, 03, 04, 05, 06, 08, 10

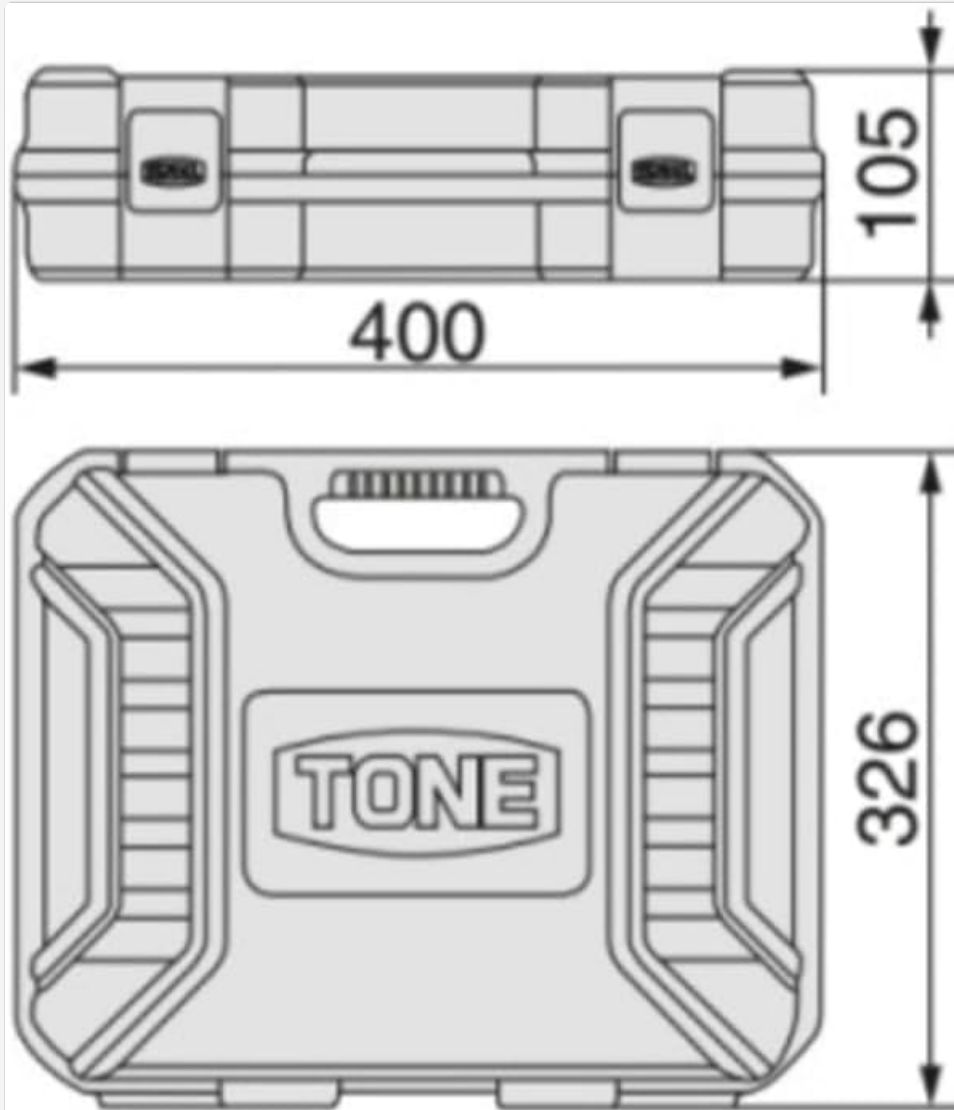


Figure 6.1: Dimensions of the TONE K700 tool case.

7. WARRANTY AND SUPPORT

Information regarding the specific warranty terms for the TONE K700 Combination Tool Set was not available in the provided product data. For detailed warranty information, please refer to the documentation included with your purchase or visit the official TONE website.

For customer support, technical assistance, or inquiries about replacement parts, please contact TONE directly through their official channels. You can often find contact information on the manufacturer's website or on the product packaging.

TONE Official Website: www.tone-tool.co.jp (Please note: This link is provided as a general reference to the manufacturer's website and may require navigation to the specific support section for your region.)