



[Manuals.plus](#) /

> [Kanto](#) /

> Kanto PMX700 Pro Series Full Motion Articulating TV Wall Mount User Manual

Kanto PMX700

Kanto PMX700 Pro Series Full Motion Articulating TV Wall Mount User Manual

Model: PMX700

Brand: Kanto

INTRODUCTION

The Kanto PMX700 Pro Series Full Motion Articulating TV Wall Mount is designed for 50" to 100" TVs, offering adjustable positioning, integrated cable management, and toolless tilt functionality. This manual provides comprehensive instructions for safe and effective installation, operation, and maintenance of your TV wall mount.

SAFETY INFORMATION

- Read all instructions carefully before installation. Failure to do so may result in personal injury or property damage.
- Professional installation is recommended for optimal safety and performance.
- Ensure the mounting surface can safely support the combined weight of the mount and your television.
- Do not exceed the maximum weight capacity of the mount.
- Always use the provided hardware and follow the specified drilling and tightening procedures.

PACKAGE CONTENTS

- Kanto PMX700 TV Wall Mount
- Mounting Hardware (lag bolts, anchors, washers, spacers)
- Drill Template
- Integrated Cable Management Clips and Covers

SETUP AND INSTALLATION

The PMX700 mount features a segmented design for easier installation. The wall plate can be installed unassisted, and the arm assembly can then be hooked into place.

Step 1: Prepare the TV

Attach the TV brackets to the back of your television. Ensure proper screw length and use spacers if necessary to avoid damaging internal components.



Rear view of a television with the Kanto PMX700 brackets attached, ready for mounting.

Step 2: Locate Wall Studs and Mark Drilling Points

Use a stud finder to locate the center of your wall studs. Use the provided drill template to mark the precise drilling locations.

Official Kanto video demonstrating the installation process for PMX Series Full Motion TV Mounts, including wall plate setup.



The Kanto PMX700 mount's wall plate, highlighting the horizontal offset feature for flexible stud placement.

Step 3: Install Wall Plate

Drill pilot holes and secure the wall plate to the wall using the appropriate lag bolts and anchors for your wall type (wood studs or concrete).

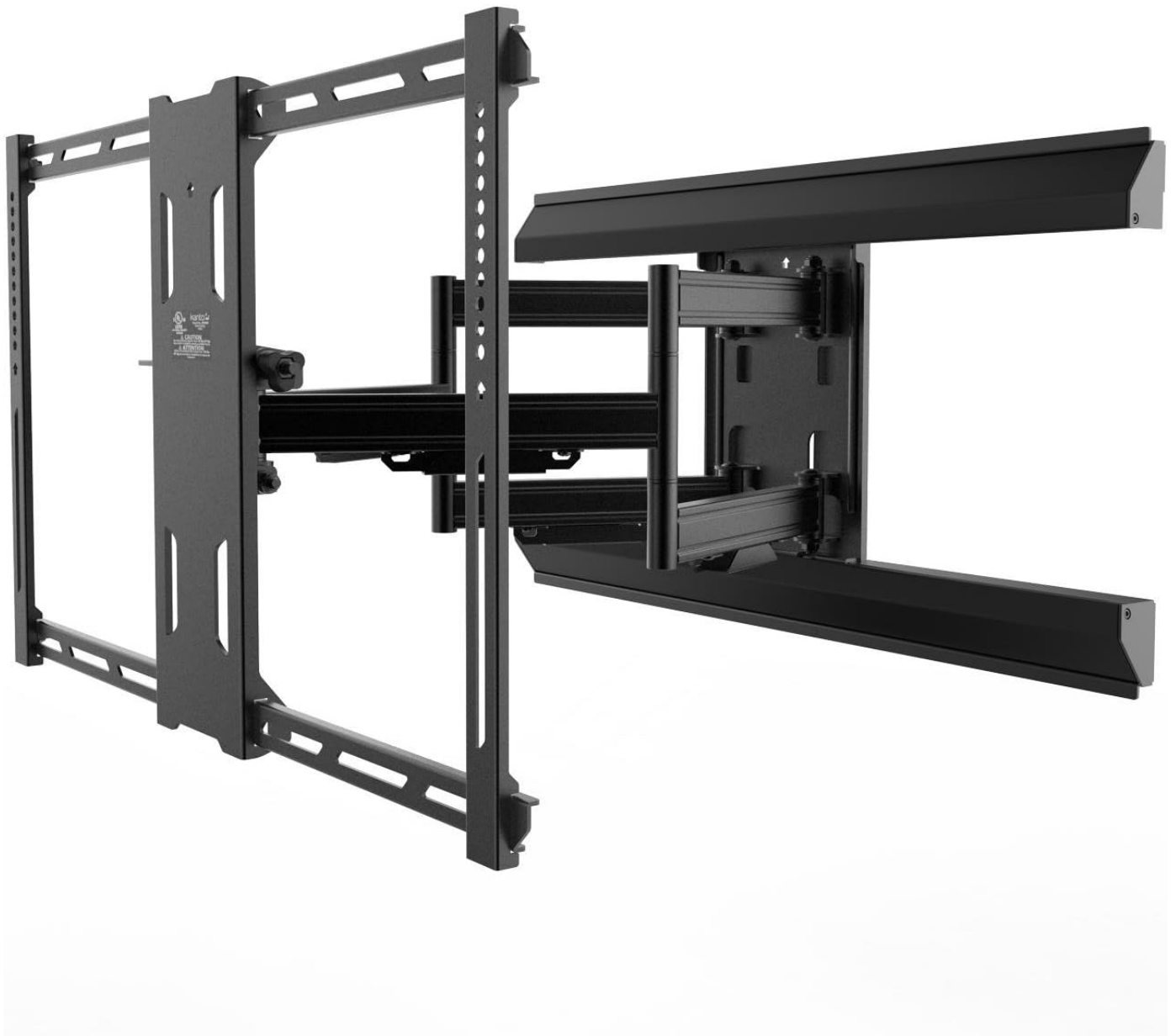




The Kanto PMX700 mount in its fully retracted position, showing its low-profile design against the wall.

Step 4: Attach Arm Assembly

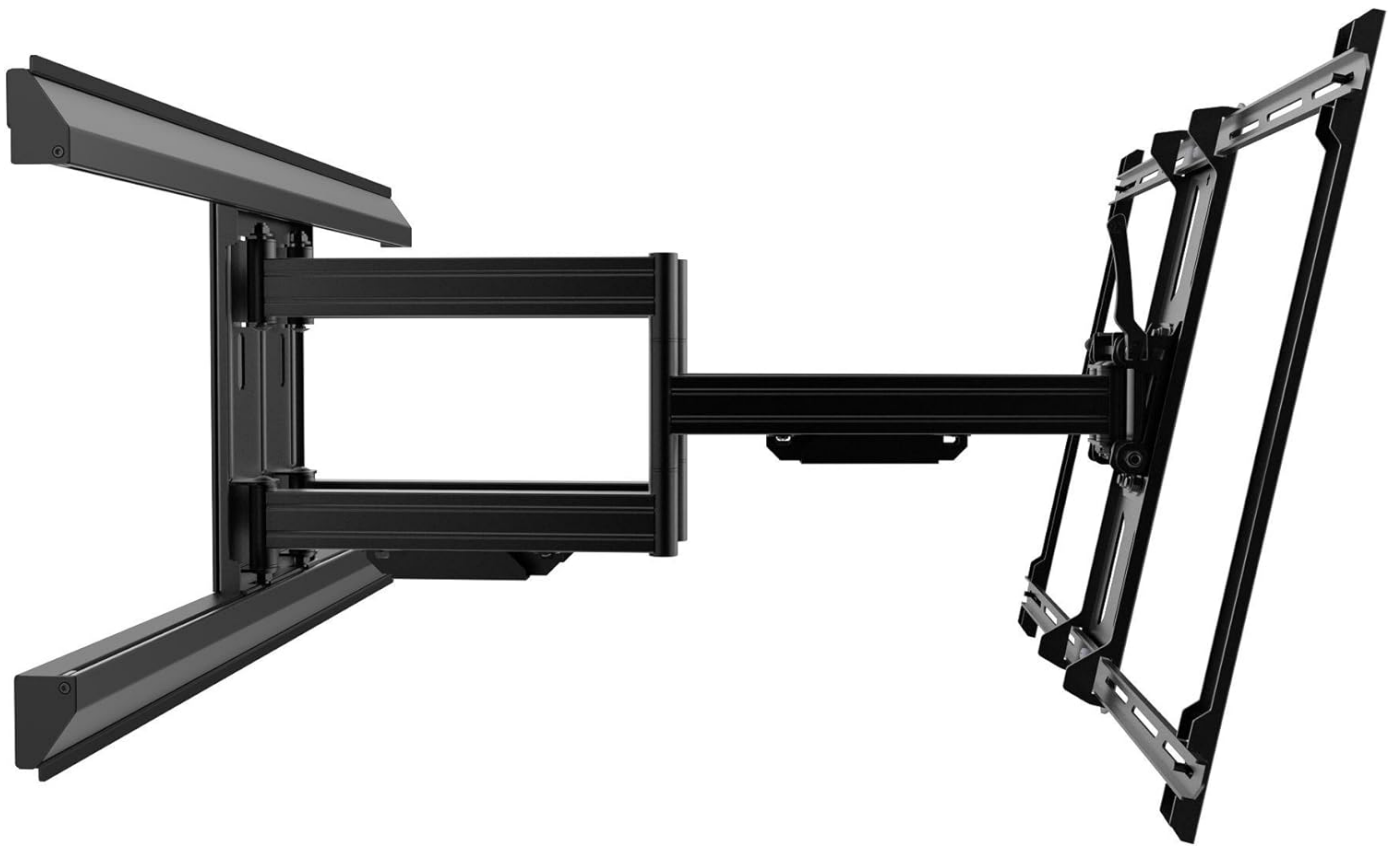
The arm assembly can be easily hooked into the wall plate and secured with the provided hardware. This segmented design simplifies the installation process.



Front view of the Kanto PMX700 TV wall mount, showcasing its robust construction and articulating arms.

Step 5: Mount the TV

Carefully lift the television and hook the TV brackets onto the arm assembly. Secure the TV using the safety screws.



A television mounted on the Kanto PMX700, extended from the wall, demonstrating its full motion capabilities.

OPERATING INSTRUCTIONS

Adjusting Position

The full-motion design allows you to extend, swivel, and tilt your TV to achieve the optimal viewing angle. The PMX700 extends up to 31.3 inches from the wall. The horizontal offset feature allows the arm assembly to be positioned independently of the wall plate, making it easier to center your television regardless of stud location.



Side view of the Kanto PMX700 TV wall mount fully extended, demonstrating its reach and articulation.

Toolless Tilt

The PMX series features a specially designed tilt mechanism that allows for precise adjustments without the need of tools. Set the tension to allow for fingertip adjustments, or lock it in place at the desired angle. The maximum tilt angle is 12 degrees.



Detailed view of the toolless tilt mechanism on the Kanto PMX700 mount.

Cable Management

Utilize the integrated cable management clips and covers to route and conceal cables for a clean and organized appearance. This helps maintain a professional and tidy setup.



Close-up of the Kanto PMX700 mount's cable management system, showing cables neatly routed.

MAINTENANCE

- Regularly check all screws and bolts to ensure they are securely tightened. Loose connections can compromise safety and stability.
- Clean the mount with a soft, dry cloth. Avoid abrasive cleaners or solvents that could damage the finish.
- Periodically lubricate moving parts with a silicone-based spray to maintain smooth articulation and tilt functionality.

TROUBLESHOOTING

- **If the TV is not level:** Adjust the leveling screws on the TV brackets. The segmented design allows for easy post-installation leveling.
- **If the mount feels loose:** Re-tighten all wall plate and arm assembly bolts. Refer to the installation steps for proper torque.
- **If movement is stiff:** Apply a small amount of silicone-based lubricant to the articulating joints.
- **If cables are pinched:** Re-route cables through the integrated management system, ensuring they have enough slack for full motion.

SPECIFICATIONS

Mounting Type	Wall Mount
Movement Type	Articulating, Tilt
Material	Aluminum
Color	Black
Compatible Devices	Monitor, Television
Maximum Tilt Angle	12 Degrees

Minimum-Supported Screen Size	50 Inches
Maximum-Supported Screen Size	100 Inches
Item Weight	46.7 Pounds
Maximum Extension	31.3 Inches
Retracted Profile	2.6 Inches from wall

WARRANTY AND SUPPORT

The Kanto PMX700 TV Wall Mount comes with a Ten-year manufacturer's warranty, ensuring long-term reliability and peace of mind.

For technical support, warranty claims, or additional assistance, please visit the official Kanto website or contact Kanto customer service directly. Contact information can typically be found on the Kanto website or product packaging.