

Mount-It! MI-2781

Mount-It! MI-2781 Dual Monitor Desk Stand

Instruction Manual

INTRODUCTION

Thank you for choosing the Mount-It! MI-2781 Dual Monitor Desk Stand. This product is designed to enhance your workspace ergonomics and efficiency by securely holding two monitors, freeing up valuable desk space. With its robust construction and versatile adjustability, you can achieve optimal viewing angles and reduce strain during long working hours. Please read this manual thoroughly before installation and use to ensure proper setup and safe operation.



Image: A user benefiting from the ergonomic setup provided by the Mount-It! MI-2781 Dual Monitor Desk Stand.

SAFETY INFORMATION

- **Weight Capacity:** Do not exceed the maximum weight capacity of 17 lbs (7.7 kg) per monitor. Exceeding this limit may result in instability and potential injury.
- **Monitor Size:** This stand is designed for monitors up to 32 inches. Ensure your monitors fit within these dimensions.
- **VESA Compatibility:** Verify that your monitors have VESA mounting patterns of 75x75mm or 100x100mm.
- **Desk Stability:** Ensure your desk surface is stable and capable of supporting the combined weight of the stand and two monitors.
- **Assembly:** Follow all assembly instructions carefully. Improper assembly can lead to product failure or injury.
- **Adjustments:** When making adjustments, support your monitors to prevent them from falling. Adjustments should be made slowly and carefully.
- **Children:** Keep small parts away from children to prevent choking hazards.

PACKAGE CONTENTS

Please check to ensure all components are present and undamaged before beginning assembly. If any parts are missing or damaged, contact customer support.

- Base Plate
- Main Pole
- Monitor Arms (2)
- VESA Plates (2)
- Cable Management Clips
- Hardware Kit (screws, washers, Allen wrenches)
- Grommet Mounting Option (optional use)

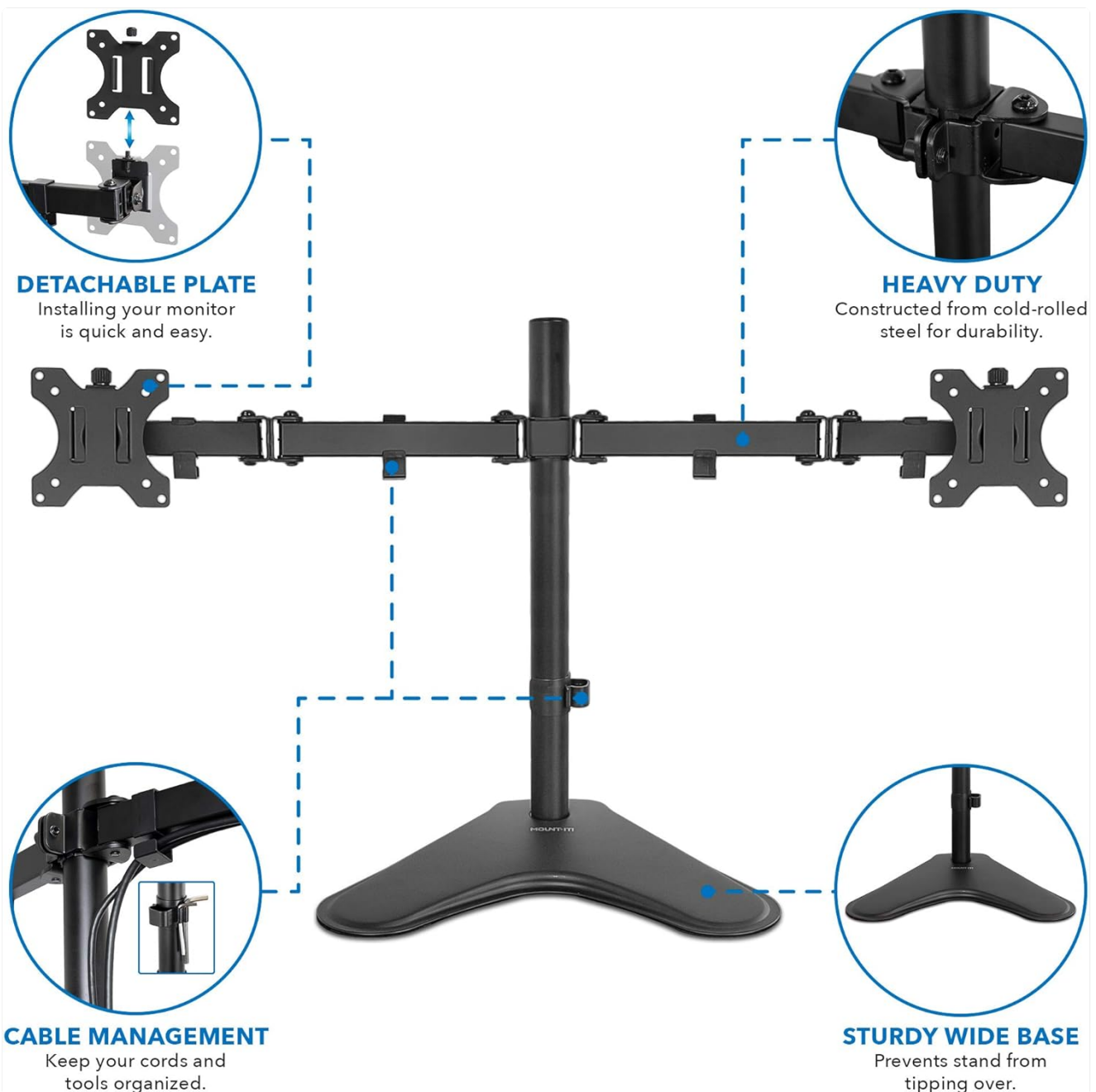


Image: Exploded view of the MI-2781 components, highlighting key features like detachable VESA plates and cable management.

SETUP AND ASSEMBLY

Follow these steps to assemble your Mount-It! MI-2781 Dual Monitor Desk Stand.

1. **Attach the Main Pole to the Base:** Secure the main pole to the freestanding base plate using the provided screws and Allen wrench. Ensure it is tightened firmly for stability.
2. **Install Monitor Arms:** Slide the monitor arms onto the main pole at your desired height. Use the locking mechanism to secure them in place.
3. **Attach VESA Plates to Monitors:** Carefully attach the VESA plates to the back of each monitor using the appropriate screws from the hardware kit. Ensure the screws are tightened securely but do not overtighten.
4. **Mount Monitors to Arms:** Slide the monitors (with attached VESA plates) onto the monitor arms. The detachable plate design allows for quick and easy installation. Secure them with the locking screws.
5. **Cable Management:** Route your monitor cables through the integrated cable management clips on the arms and down the main pole to keep your workspace tidy.

Your browser does not support the video tag.

Video: Official Mount-It! MI-2781 Dual Monitor Desk Stand assembly and adjustment guide. This video demonstrates the installation process and how to make various adjustments for optimal monitor positioning.

FITS SCREEN SIZES UP TO 32"



VESA COMPATIBLE:

75x75
100x100

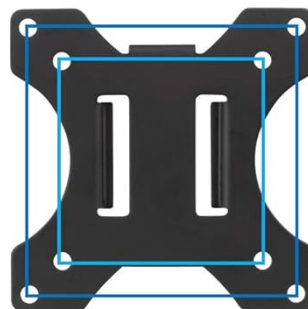


Image: The MI-2781 stand supporting two monitors, illustrating VESA compatibility and maximum screen size.

OPERATING AND ADJUSTMENTS

The MI-2781 offers extensive adjustability to customize your viewing experience.

- **Height Adjustment:** Loosen the collar on the main pole to slide the monitor arms up or down. Retighten the collar once the desired height is reached.
- **Tilt:** Each monitor can be tilted $\pm 45^\circ$ to reduce glare and find your preferred angle. Loosen the tilt knob behind the VESA plate, adjust, and retighten.
- **Swivel:** Swivel your monitors $\pm 90^\circ$ to share your screen with colleagues or adjust for different tasks.
- **Rotation:** Rotate your monitors 360° to switch between landscape and portrait orientations.
- **Arm Extension:** Adjust the monitor arms to bring screens closer or push them further away from you.

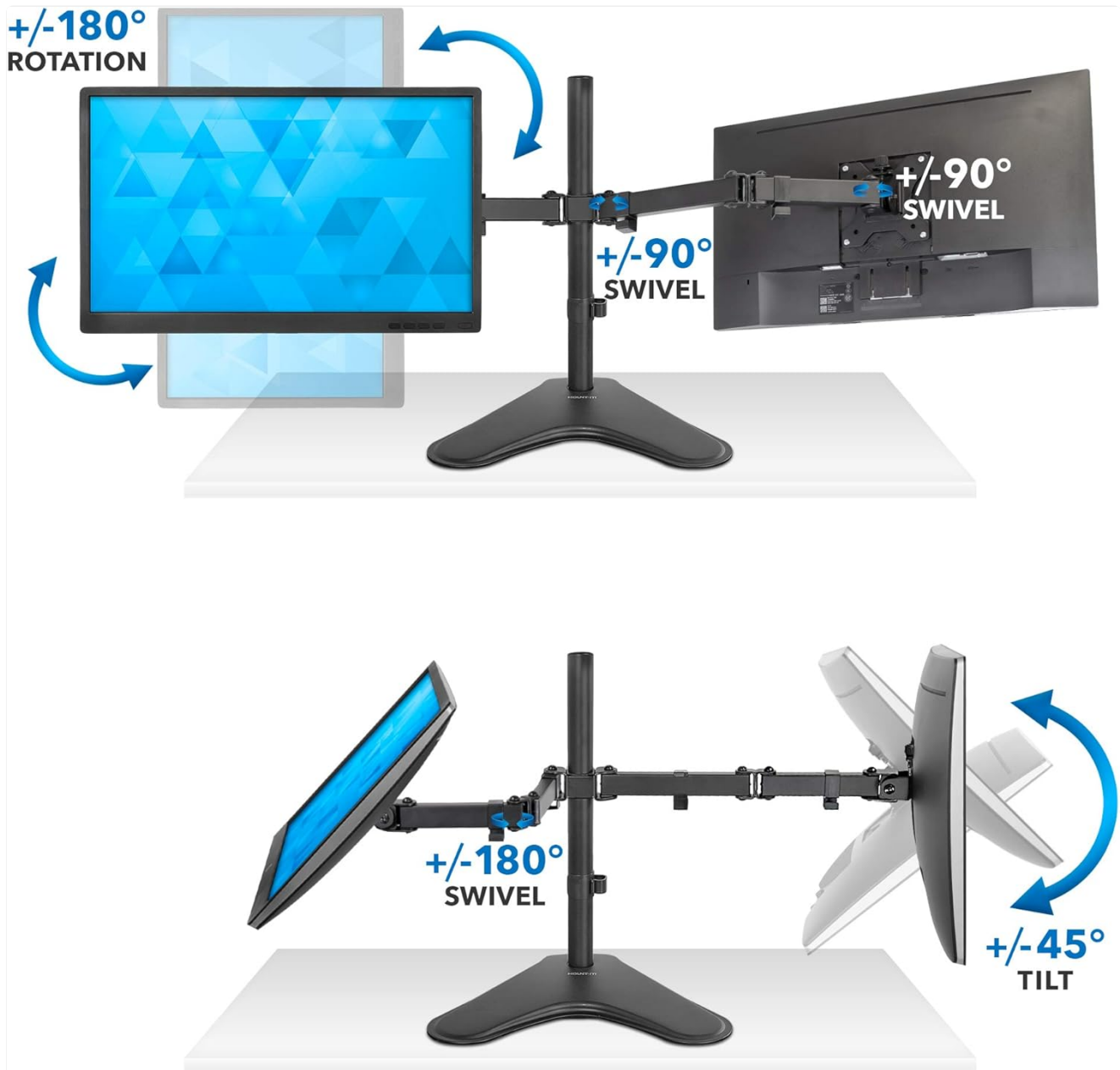


Image: Demonstrating the tilt, swivel, and 360° rotation features of the monitor arms.

HEIGHT ADJUSTABLE

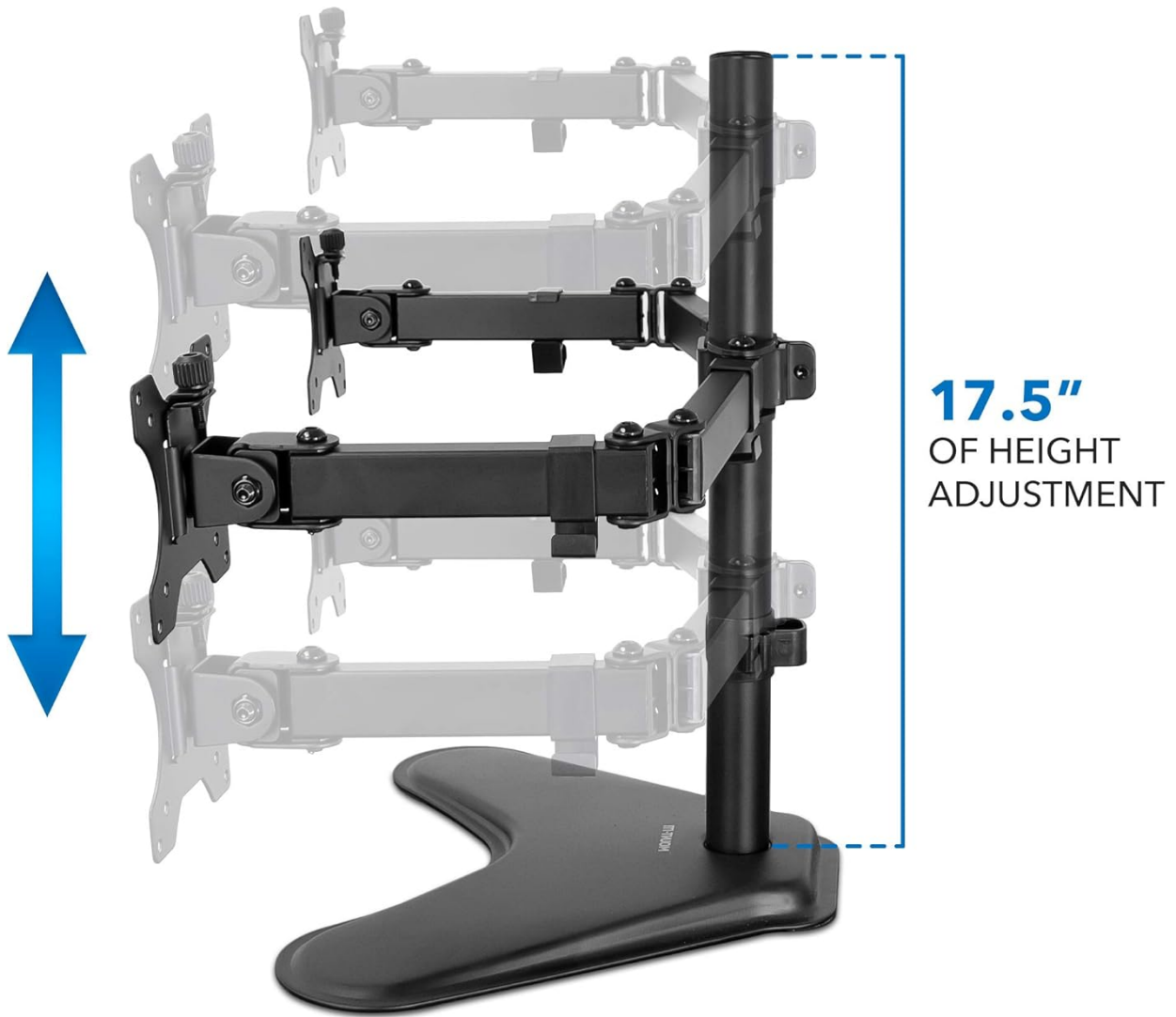


Image: Illustrating the 17.5 inches of height adjustment available on the main pole.

MAINTENANCE

Regular maintenance ensures the longevity and safe operation of your monitor stand.

- **Cleaning:** Wipe the stand with a soft, damp cloth. Avoid abrasive cleaners or solvents that could damage the finish.
- **Check Connections:** Periodically check all screws and bolts to ensure they remain tight. Retighten if necessary.
- **Cable Management:** Ensure cables are securely routed and not pinched or strained.

TROUBLESHOOTING

Problem	Possible Cause	Solution
---------	----------------	----------

Problem	Possible Cause	Solution
Stand is unstable or wobbles.	Loose connections; uneven desk surface; monitors too heavy.	Ensure all screws are tightened. Place the stand on a flat, stable surface. Verify monitor weight is within limits.
Monitors sag or do not hold position.	Tilt mechanism not tightened; monitor weight exceeds capacity.	Tighten the tilt adjustment knob. Confirm monitor weight is within the 17 lbs limit.
Difficulty adjusting monitor position.	Adjustment points are too tight.	Loosen the relevant adjustment screws slightly, make the adjustment, then retighten.

SPECIFICATIONS

- **Model:** MI-2781
- **Brand:** Mount-It!
- **Material:** Alloy Steel, Aluminum
- **Color:** Black
- **Mounting Type:** Freestanding (Tabletop) with optional Grommet Mount
- **Number of Monitors:** 2
- **Max Screen Size:** Up to 32 inches per monitor
- **Max Weight Capacity:** 17 lbs (7.7 kg) per monitor
- **VESA Compatibility:** 75x75mm, 100x100mm
- **Height Adjustment:** Yes, up to 17.5 inches
- **Tilt:** +/-45°
- **Swivel:** +/-90°
- **Rotation:** 360°
- **Item Dimensions (Base Footprint):** Approximately 19 x 11.3 inches

WARRANTY AND SUPPORT

Mount-It! products are backed by a limited warranty. For specific warranty details, product support, or to report missing/damaged parts, please visit the official Mount-It! website or contact their customer service directly. Keep your purchase receipt as proof of purchase.

Contact Information: Please refer to the packaging or the official Mount-It! website for the most current customer support contact details.