



Manuals.plus /

› Toyota /

› Toyota 69050-02340 Door Lock Assembly Instruction Manual

## Toyota 69050-02340

# Toyota 69050-02340 Door Lock Assembly Instruction Manual

Model: 69050-02340

## 1. INTRODUCTION

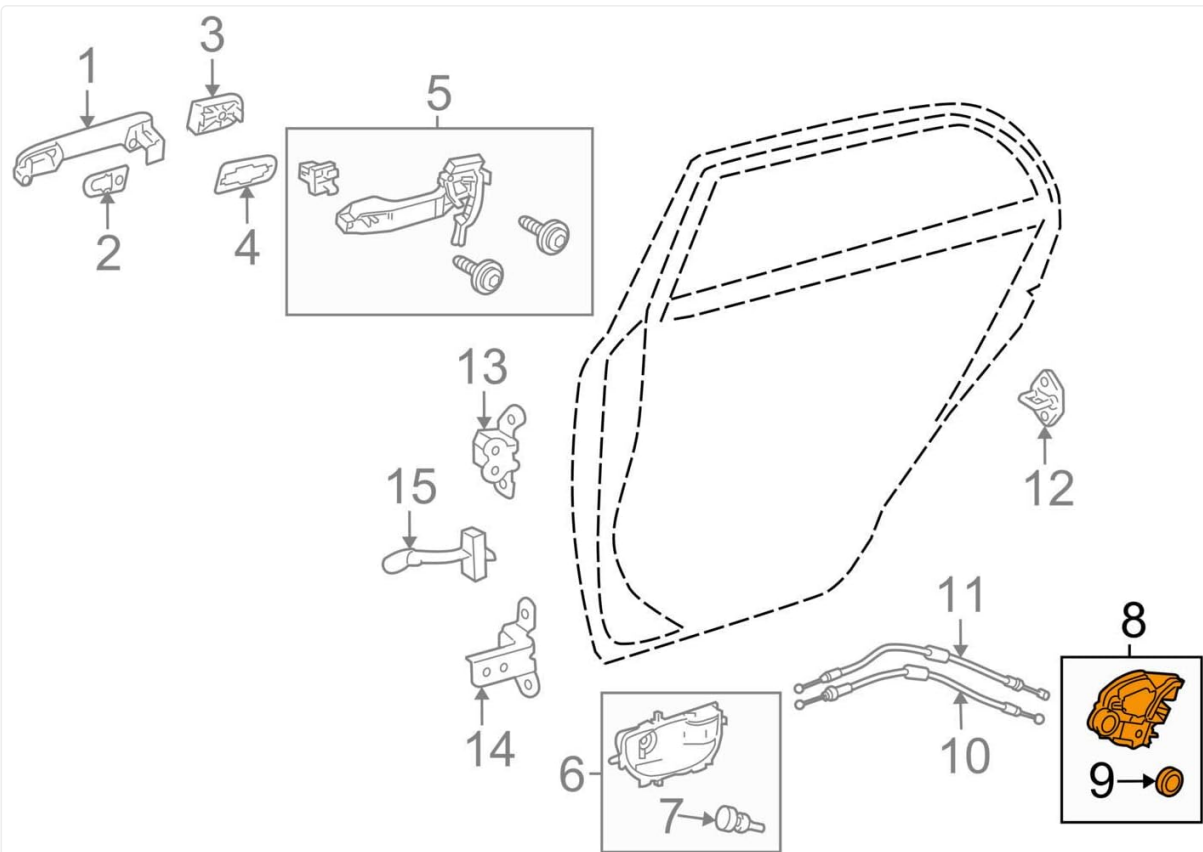
---

This manual provides essential instructions for the proper installation, operation, and maintenance of the Toyota 69050-02340 Door Lock Assembly. This component is a genuine Original Equipment Manufacturer (OEM) part designed to ensure compatibility and optimal performance with your vehicle. Please read this manual thoroughly before proceeding with any installation or maintenance procedures.

## 2. PRODUCT OVERVIEW

---

The Toyota 69050-02340 is a direct-fit door lock assembly, manufactured from metal, designed for vehicle doors. It is a genuine OEM factory original part, guaranteed against poor workmanship and material defects.



**Only one part or sub-assembly in diagram included. See Item Specifics for Reference #. Diagram may not be specific to your vehicle. See Compatibility for vehicle-specific diagrams.**

**Figure 2.1:** Front view of the Toyota 69050-02340 Door Lock Assembly. This image displays the primary component, which is a metal assembly designed to control the locking and unlocking mechanism of a vehicle door.

### 3. COMPATIBILITY

This door lock assembly is designed for specific Toyota vehicle models. It is crucial to verify compatibility with your vehicle's make, model, and year before installation. Refer to the detailed compatibility list and vehicle-specific diagrams to ensure proper fitment.

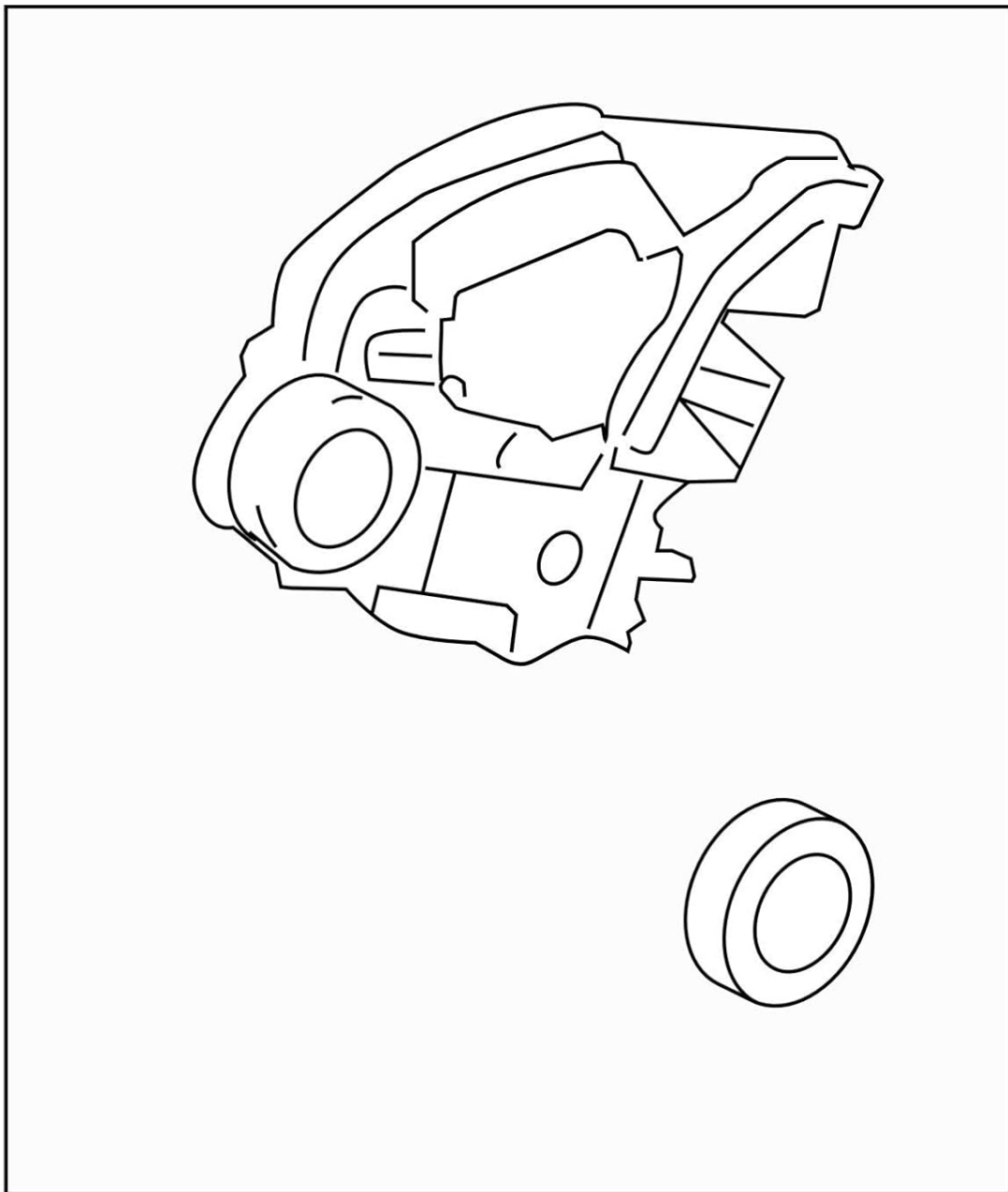


**Figure 3.1:** Partial compatibility list for the Toyota 69050-02340 Door Lock Assembly. This list details various Toyota Camry and Corolla models and years for which this part is compatible. Users should cross-reference their vehicle's specifications with this list to confirm suitability.

**Important: Only one part or sub-assembly in the diagram is included. See Item Specifics for Reference. Diagram may not be specific to your vehicle. See Compatibility for vehicle-specific diagrams.**

### 4. INSTALLATION (SETUP)

Installation of the door lock assembly requires mechanical knowledge and specific tools. It is highly recommended that installation be performed by a qualified automotive technician to ensure correct fitment and function, and to prevent damage to the vehicle or the part.



**# 8**

**Only one part or sub-assembly in diagram included. See Item Specifics for Reference #. Diagram may not be specific to your vehicle. See Compatibility for vehicle-specific diagrams.**

**Figure 4.1:** Exploded diagram illustrating various components related to the Toyota door lock system. This diagram helps identify the position of the door lock assembly (item 8) and other associated parts like handles, cables, and mounting hardware.

## Compatible List

1.YEAR: 2018 MAKE: Toyota MODEL: Camry TRIM: Hybrid LE Sedan 4-Door ENGINE: 2.5L 2487CC 152Cu. In. 14 ELECTRIC/GAS DOHC Naturally Aspirated REFNUM: 9  
2.YEAR: 2018 MAKE: Toyota MODEL: Camry TRIM: Hybrid SE Sedan 4-Door ENGINE: 2.5L 2487CC 152Cu. In. 14 ELECTRIC/GAS DOHC Naturally Aspirated REFNUM: 9  
3.YEAR: 2018 MAKE: Toyota MODEL: Camry TRIM: Hybrid XLE Sedan 4-Door ENGINE: 2.5L 2487CC 152Cu. In. 14 ELECTRIC/GAS DOHC Naturally Aspirated REFNUM: 9  
4.YEAR: 2018 MAKE: Toyota MODEL: Camry TRIM: L Sedan 4-Door ENGINE: 2.5L 2487CC 152Cu. In. 14 GAS DOHC Naturally Aspirated REFNUM: 9  
5.YEAR: 2018 MAKE: Toyota MODEL: Camry TRIM: LE Sedan 4-Door ENGINE: 2.5L 2487CC 152Cu. In. 14 GAS DOHC Naturally Aspirated REFNUM: 9  
6.YEAR: 2018 MAKE: Toyota MODEL: Camry TRIM: SE Sedan 4-Door ENGINE: 2.5L 2487CC 152Cu. In. 14 GAS DOHC Naturally Aspirated REFNUM: 9  
7.YEAR: 2018 MAKE: Toyota MODEL: Camry TRIM: XLE Sedan 4-Door ENGINE: 2.5L 2487CC 152Cu. In. 14 GAS DOHC Naturally Aspirated REFNUM: 9  
8.YEAR: 2018 MAKE: Toyota MODEL: Camry TRIM: XLE Sedan 4-Door ENGINE: 3.5L 3456CC V6 GAS DOHC Naturally Aspirated REFNUM: 9  
9.YEAR: 2018 MAKE: Toyota MODEL: Camry TRIM: XSE Sedan 4-Door ENGINE: 2.5L 2487CC 152Cu. In. 14 GAS DOHC Naturally Aspirated REFNUM: 9  
10.YEAR: 2018 MAKE: Toyota MODEL: Camry TRIM: XSE Sedan 4-Door ENGINE: 3.5L 3456CC V6 GAS DOHC Naturally Aspirated REFNUM: 9  
11.YEAR: 2018 MAKE: Toyota MODEL: Corolla TRIM: Base Sedan 4-Door ENGINE: 1.8L 1798CC 14 GAS DOHC Naturally Aspirated  
12.YEAR: 2018 MAKE: Toyota MODEL: Corolla TRIM: CE Sedan 4-Door ENGINE: 1.8L 1798CC 14 GAS DOHC Naturally Aspirated  
13.YEAR: 2018 MAKE: Toyota MODEL: Corolla TRIM: L Sedan 4-Door ENGINE: 1.8L 1798CC 14 GAS DOHC Naturally Aspirated REFNUM: 8  
14.YEAR: 2018 MAKE: Toyota MODEL: Corolla TRIM: LE Eco Sedan 4-Door ENGINE: 1.8L 1798CC 14 GAS DOHC Naturally Aspirated REFNUM: 8  
15.YEAR: 2018 MAKE: Toyota MODEL: Corolla TRIM: LE Sedan 4-Door ENGINE: 1.8L 1798CC 14 GAS DOHC Naturally Aspirated REFNUM: 8  
16.YEAR: 2018 MAKE: Toyota MODEL: Corolla TRIM: SE Plus Sedan 4-Door ENGINE: 1.8L 1798CC 14 GAS DOHC Naturally Aspirated  
17.YEAR: 2018 MAKE: Toyota MODEL: Corolla TRIM: SE Sedan 4-Door ENGINE: 1.8L 1798CC 14 GAS DOHC Naturally Aspirated REFNUM: 8  
18.YEAR: 2018 MAKE: Toyota MODEL: Corolla TRIM: XLE Sedan 4-Door ENGINE: 1.8L 1798CC 14 GAS DOHC Naturally Aspirated REFNUM: 8  
19.YEAR: 2018 MAKE: Toyota MODEL: Corolla TRIM: XSE Sedan 4-Door ENGINE: 1.8L 1798CC 14 GAS DOHC Naturally Aspirated REFNUM: 8  
20.YEAR: 2017 MAKE: Toyota MODEL: Corolla TRIM: 50th Anniversary Special Edition Sedan 4-Door ENGINE: 1.8L 1798CC 14 GAS DOHC Naturally Aspirated REFNUM: 8  
21.YEAR: 2017 MAKE: Toyota MODEL: Corolla TRIM: Base Sedan 4-Door ENGINE: 1.8L 1798CC 14 GAS DOHC Naturally Aspirated  
22.YEAR: 2017 MAKE: Toyota MODEL: Corolla TRIM: C Sedan 4-Door ENGINE: 1.8L 1798CC 14 GAS DOHC Naturally Aspirated  
23.YEAR: 2017 MAKE: Toyota MODEL: Corolla TRIM: CE Sedan 4-Door ENGINE: 1.8L 1798CC 14 GAS DOHC Naturally Aspirated  
24.YEAR: 2017 MAKE: Toyota MODEL: Corolla TRIM: L Sedan 4-Door ENGINE: 1.8L 1798CC 14 GAS DOHC Naturally Aspirated REFNUM: 8  
25.YEAR: 2017 MAKE: Toyota MODEL: Corolla TRIM: LE Eco Sedan 4-Door ENGINE: 1.8L 1798CC 14 GAS DOHC Naturally Aspirated REFNUM: 8  
26.YEAR: 2017 MAKE: Toyota MODEL: Corolla TRIM: LE Sedan 4-Door ENGINE: 1.8L 1798CC 14 GAS DOHC Naturally Aspirated REFNUM: 8  
27.YEAR: 2017 MAKE: Toyota MODEL: Corolla TRIM: SE Plus Sedan 4-Door ENGINE: 1.8L 1798CC 14 GAS DOHC Naturally Aspirated  
28.YEAR: 2017 MAKE: Toyota MODEL: Corolla TRIM: SE Sedan 4-Door ENGINE: 1.8L 1798CC 14 GAS DOHC Naturally Aspirated REFNUM: 8  
29.YEAR: 2017 MAKE: Toyota MODEL: Corolla TRIM: XLE Sedan 4-Door ENGINE: 1.8L 1798CC 14 GAS DOHC Naturally Aspirated REFNUM: 8  
30.YEAR: 2017 MAKE: Toyota MODEL: Corolla TRIM: XSE Sedan 4-Door ENGINE: 1.8L 1798CC 14 GAS DOHC Naturally Aspirated REFNUM: 8  
31.YEAR: 2016 MAKE: Toyota MODEL: Corolla TRIM: Base Sedan 4-Door ENGINE: 1.8L 1794CC 109Cu. In. 14 GAS DOHC Naturally Aspirated  
32.YEAR: 2016 MAKE: Toyota MODEL: Corolla TRIM: C Sedan 4-Door ENGINE: 1.8L 1794CC 109Cu. In. 14 GAS DOHC Naturally Aspirated  
33.YEAR: 2016 MAKE: Toyota MODEL: Corolla TRIM: CE Sedan 4-Door ENGINE: 1.8L 1798CC 14 GAS DOHC Naturally Aspirated  
34.YEAR: 2016 MAKE: Toyota MODEL: Corolla TRIM: L Sedan 4-Door ENGINE: 1.8L 1798CC 14 GAS DOHC Naturally Aspirated REFNUM: 8  
35.YEAR: 2016 MAKE: Toyota MODEL: Corolla TRIM: LE Eco Sedan 4-Door ENGINE: 1.8L 1798CC 14 GAS DOHC Naturally Aspirated REFNUM: 8  
36.YEAR: 2016 MAKE: Toyota MODEL: Corolla TRIM: LE Sedan 4-Door ENGINE: 1.8L 1794CC 109Cu. In. 14 GAS DOHC Naturally Aspirated  
37.YEAR: 2016 MAKE: Toyota MODEL: Corolla TRIM: LE Sedan 4-Door ENGINE: 1.8L 1798CC 14 GAS DOHC Naturally Aspirated REFNUM: 8  
38.YEAR: 2016 MAKE: Toyota MODEL: Corolla TRIM: S Plus Sedan 4-Door ENGINE: 1.8L 1794CC 109Cu. In. 14 GAS DOHC Naturally Aspirated  
39.YEAR: 2016 MAKE: Toyota MODEL: Corolla TRIM: S Sedan 4-Door ENGINE: 1.8L 1794CC 109Cu. In. 14 GAS DOHC Naturally Aspirated  
40.YEAR: 2016 MAKE: Toyota MODEL: Corolla TRIM: S Sedan 4-Door ENGINE: 1.8L 1798CC 14 GAS DOHC Naturally Aspirated REFNUM: 8  
41.YEAR: 2016 MAKE: Toyota MODEL: Corolla TRIM: Special Edition Sedan 4-Door ENGINE: 1.8L 1798CC 14 GAS DOHC Naturally Aspirated REFNUM: 8  
42.YEAR: 2015 MAKE: Toyota MODEL: Corolla TRIM: Base Sedan 4-Door ENGINE: 1.8L 1794CC 109Cu. In. 14 GAS DOHC Naturally Aspirated  
43.YEAR: 2015 MAKE: Toyota MODEL: Corolla TRIM: C Sedan 4-Door ENGINE: 1.8L 1794CC 109Cu. In. 14 GAS DOHC Naturally Aspirated  
44.YEAR: 2015 MAKE: Toyota MODEL: Corolla TRIM: CE Sedan 4-Door ENGINE: 1.8L 1798CC 14 GAS DOHC Naturally Aspirated  
45.YEAR: 2015 MAKE: Toyota MODEL: Corolla TRIM: L Sedan 4-Door ENGINE: 1.8L 1798CC 14 GAS DOHC Naturally Aspirated REFNUM: 8  
46.YEAR: 2015 MAKE: Toyota MODEL: Corolla TRIM: LE Eco Sedan 4-Door ENGINE: 1.8L 1798CC 14 GAS DOHC Naturally Aspirated REFNUM: 8  
47.YEAR: 2015 MAKE: Toyota MODEL: Corolla TRIM: LE Sedan 4-Door ENGINE: 1.8L 1794CC 109Cu. In. 14 GAS DOHC Naturally Aspirated  
48.YEAR: 2015 MAKE: Toyota MODEL: Corolla TRIM: LE Sedan 4-Door ENGINE: 1.8L 1798CC 14 GAS DOHC Naturally Aspirated REFNUM: 8  
49.YEAR: 2015 MAKE: Toyota MODEL: Corolla TRIM: S Plus Sedan 4-Door ENGINE: 1.8L 1794CC 109Cu. In. 14 GAS DOHC Naturally Aspirated  
50.YEAR: 2015 MAKE: Toyota MODEL: Corolla TRIM: S Sedan 4-Door ENGINE: 1.8L 1794CC 109Cu. In. 14 GAS DOHC Naturally Aspirated  
51.YEAR: 2015 MAKE: Toyota MODEL: Corolla TRIM: S Sedan 4-Door ENGINE: 1.8L 1798CC 14 GAS DOHC Naturally Aspirated REFNUM: 8  
52.YEAR: 2014 MAKE: Toyota MODEL: Corolla TRIM: Base Sedan 4-Door ENGINE: 1.8L 1794CC 109Cu. In. 14 GAS DOHC Naturally Aspirated  
53.YEAR: 2014 MAKE: Toyota MODEL: Corolla TRIM: C Sedan 4-Door ENGINE: 1.8L 1794CC 109Cu. In. 14 GAS DOHC Naturally Aspirated  
54.YEAR: 2014 MAKE: Toyota MODEL: Corolla TRIM: CE Sedan 4-Door ENGINE: 1.8L 1798CC 14 GAS DOHC Naturally Aspirated REFNUM: 8  
55.YEAR: 2014 MAKE: Toyota MODEL: Corolla TRIM: Eco Plus Sedan 4-Door ENGINE: 1.8L 1798CC 14 GAS DOHC Naturally Aspirated REFNUM: 8  
56.YEAR: 2014 MAKE: Toyota MODEL: Corolla TRIM: Eco Sedan 4-Door ENGINE: 1.8L 1798CC 14 GAS DOHC Naturally Aspirated REFNUM: 8  
57.YEAR: 2014 MAKE: Toyota MODEL: Corolla TRIM: L Sedan 4-Door ENGINE: 1.8L 1798CC 14 GAS DOHC Naturally Aspirated REFNUM: 8  
58.YEAR: 2014 MAKE: Toyota MODEL: Corolla TRIM: LE Sedan 4-Door ENGINE: 1.8L 1798CC 14 GAS DOHC Naturally Aspirated REFNUM: 8  
59.YEAR: 2014 MAKE: Toyota MODEL: Corolla TRIM: S Plus Sedan 4-Door ENGINE: 1.8L 1794CC 109Cu. In. 14 GAS DOHC Naturally Aspirated  
60.YEAR: 2014 MAKE: Toyota MODEL: Corolla TRIM: S Sedan 4-Door ENGINE: 1.8L 1794CC 109Cu. In. 14 GAS DOHC Naturally Aspirated  
61.YEAR: 2014 MAKE: Toyota MODEL: Corolla TRIM: S Sedan 4-Door ENGINE: 1.8L 1798CC 14 GAS DOHC Naturally Aspirated REFNUM: 8

Figure 4.2: Detailed view of the Toyota Door Lock Assembly, specifically highlighting item #8 from the larger diagram. This provides a closer look at the main component being installed.

## General Installation Steps (Consult Service Manual for Specifics):

1. **Preparation:** Ensure the vehicle's battery is disconnected to prevent electrical issues. Gather all necessary tools.
2. **Access Door Panel:** Carefully remove the interior door panel to gain access to the existing door lock assembly. This typically involves removing screws, clips, and disconnecting electrical connectors.
3. **Disconnect Components:** Disconnect the door handle linkages, electrical connectors, and any cables attached to the old door lock assembly.
4. **Remove Old Assembly:** Unbolt and remove the existing door lock assembly from the door frame.
5. **Install New Assembly:** Position the new Toyota 69050-02340 Door Lock Assembly (Item 8 in Figure 4.1) into place and secure it with the appropriate bolts.
6. **Reconnect Components:** Reconnect all door handle linkages, electrical connectors, and cables to the new assembly. Ensure all connections are secure and properly seated.

7. **Test Functionality:** Before reattaching the door panel, reconnect the battery and test the lock and unlock functions (both manual and power, if applicable) from inside and outside the vehicle. Verify that the door opens and closes correctly.
8. **Reassemble Door Panel:** Once functionality is confirmed, reattach the interior door panel, ensuring all clips and screws are securely fastened.

*Always refer to your vehicle's specific service manual for detailed, model-specific instructions and torque specifications.*

## 5. OPERATION

---

The Toyota 69050-02340 Door Lock Assembly functions as the primary mechanism for securing and releasing your vehicle's door. Once installed, its operation is integrated with your vehicle's existing locking system.

- **Locking:** When the door is locked (either manually with the key, via the interior lock switch, or remotely with a key fob), the assembly engages, preventing the door from being opened from the exterior or interior, depending on the vehicle's design.
- **Unlocking:** When the door is unlocked, the assembly disengages, allowing the door to be opened via the handles.

Ensure smooth operation by regularly checking for any obstructions or unusual resistance when locking or unlocking the door.

## 6. MAINTENANCE

---

The Toyota 69050-02340 Door Lock Assembly is designed for durability and minimal maintenance. However, periodic inspection can help ensure its longevity and proper function.

- **Inspection:** Periodically check the door lock mechanism for any signs of wear, corrosion, or damage. Listen for unusual noises during operation.
- **Cleaning:** If the door panel is removed for other maintenance, gently clean any visible dirt or debris from the assembly using a soft cloth. Avoid using harsh chemicals.
- **Lubrication:** Lightly lubricate moving parts with a silicone-based lubricant if squeaking or stiffness is observed. Consult your vehicle's service manual for recommended lubrication points and types.

Do not attempt to disassemble the unit beyond what is necessary for installation or basic inspection, as this may void the warranty or cause damage.

## 7. TROUBLESHOOTING

---

If you experience issues with your door lock assembly, consider the following common problems and potential solutions. For complex issues, professional diagnosis and repair are recommended.

- **Door Does Not Lock/Unlock:**
  - Check electrical connections to the assembly.
  - Inspect door handle linkages for disconnections or obstructions.
  - Verify that the vehicle's central locking system (if applicable) is functioning correctly.
  - A blown fuse related to the power door locks could be the cause.
- **Unusual Noises (Grinding, Clicking):**

- Indicates potential wear or damage to internal components.
- Lubrication might help if it's a minor squeak, but persistent noise often requires replacement.
- **Door Hard to Open/Close:**
  - Check for proper alignment of the door and latch mechanism.
  - Ensure no foreign objects are obstructing the latch.

**Warning: Attempting repairs without proper knowledge can lead to further damage or injury. Consult a certified technician for complex issues.**

## 8. SPECIFICATIONS

---

Feature	Detail
Brand	Toyota
Model Number	69050-02340
Material	Metal
Recommended Uses	Vehicle Doors
Included Components	Door Lock Asm
Item Weight	1.5 pounds
Manufacturer Part Number	69050-02340
Fitment	Direct Fit
Origin	Japan

## 9. WARRANTY AND SUPPORT

---

The Toyota 69050-02340 Door Lock Assembly is a genuine OEM part and is guaranteed against poor workmanship and material defects. For specific warranty terms and conditions, please refer to the official Toyota warranty documentation provided with your purchase or contact an authorized Toyota dealer. For technical support, installation assistance, or warranty claims, please contact your authorized Toyota service center or the official Toyota customer support channels.