

Manuals+

[Q & A](#) | [Deep Search](#) | [Upload](#)

[manuals.plus](#) /

- › [Qazqa](#) /
- › [Qazqa Mistral I Ceiling Fan with Light User Manual](#)

Qazqa 92646

Qazqa Mistral I Ceiling Fan with Light User Manual

Model: 92646

1. PRODUCT OVERVIEW

The Qazqa Mistral I is a modern and stylish multifunctional ceiling fan designed to provide both air circulation and illumination. It features five reversible wooden blades, allowing you to choose between two different finishes to match your interior design. The fan is equipped with three light fittings, suitable for GU10 bulbs, and is controlled via two pull chains – one for the fan and one for the light. Its quiet operation, at approximately 43.5 decibels, makes it suitable for various rooms, including bedrooms, living rooms, and offices. The fan also includes a summer setting for cooling and a winter setting for circulating warm air downwards.



Image 1.1: Front view of the Qazqa Mistral I ceiling fan, showcasing its bronze finish and wooden blades.



Image 1.2: The Qazqa Mistral I ceiling fan installed in a modern bedroom setting, demonstrating its aesthetic integration.



Image 1.3: The Qazqa Mistral I ceiling fan with its reversible blades showing the alternative wicker pattern finish.

2. SAFETY INFORMATION

Please read all instructions carefully before installation and use. Failure to follow these instructions may result in electric shock, fire, or serious personal injury.

- Always disconnect power at the main circuit breaker before attempting any installation, maintenance, or repair.
- Installation should be performed by a qualified electrician or a competent person.
- Ensure the mounting structure can support the weight of the fan (approximately 5.08 kg).
- Do not insert objects into the path of the fan blades.
- Ensure all electrical connections comply with local codes and ordinances.
- For information on recycling and disposal of lamps, please refer to relevant local guidelines.

3. SETUP AND INSTALLATION

This section provides general guidance for the installation of your Qazqa Mistral I ceiling fan. For detailed, step-by-step instructions, it is highly recommended to consult the official installation video by searching "Qazqa Mistral" on YouTube.

3.1. Pre-Installation Checks

- Unpack all components and verify that all parts are present according to the packing list.
- Ensure the power supply is turned off at the circuit breaker.
- Prepare the mounting location, ensuring it is structurally sound and can support the fan's weight.

3.2. Assembly Steps (General)

1. Attach the mounting bracket to the ceiling junction box. The mounting plate has a diameter of 16 cm.
2. Assemble the fan motor housing and downrod. The total product dimensions are 110 cm (diameter) x 40 cm (height). Note that a shorter installation is possible by omitting a section of the downrod if desired.

3. Connect the electrical wiring. Ensure proper grounding and secure all connections.
4. Attach the fan blades to the motor housing. The fan features five wooden blades, each 42.5 cm long, with reversible finishes.
5. Install the light kit. The fan requires three GU10 bulbs, with a maximum wattage of 50 Watts each (bulbs are not included).
6. Secure the canopy to cover the wiring and mounting bracket.

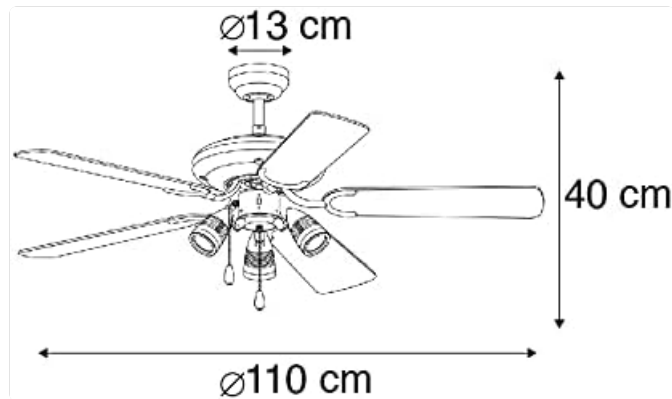


Image 3.1: Diagram illustrating the dimensions of the Qazqa Mistral I ceiling fan, including its 110 cm diameter and 40 cm height.



Image 3.2: Close-up view of the light fittings and the two pull chains for controlling the fan and light functions.

4. OPERATING INSTRUCTIONS

Your Qazqa Mistral I ceiling fan is designed for ease of use with its integrated pull chain controls and seasonal settings.

4.1. Fan Control

The fan speed is controlled by one of the pull chains. Each pull will cycle through the available fan speeds (typically Low, Medium, High) and then turn the fan off. The fan has three speed settings.

4.2. Light Control

The light function is controlled by the second pull chain. Each pull will toggle the light on or off. The light is designed for three GU10 bulbs.

4.3. Summer/Winter Mode

A switch located on the fan's motor housing allows you to change the direction of blade rotation, optimizing air circulation for different seasons:

- **Summer Mode:** Blades rotate counter-clockwise, creating a downward airflow that produces a cooling effect.
- **Winter Mode:** Blades rotate clockwise, creating an upward airflow that helps to circulate warm air trapped near the ceiling, distributing it throughout the room.

Always ensure the fan is completely stopped before changing the direction of rotation.

5. MAINTENANCE

Regular maintenance will help ensure the longevity and optimal performance of your ceiling fan.

5.1. Cleaning

- Before cleaning, ensure the power to the fan is turned off at the circuit breaker.
- Use a soft, damp cloth to wipe down the fan blades and metal parts. Do not use abrasive cleaners or solvents, as they may damage the finish.
- Dust the blades regularly to prevent accumulation, which can affect balance and performance.

5.2. Bulb Replacement

- Ensure the power to the light is off and the bulbs have cooled down before attempting replacement.
- The fan uses three GU10 bulbs. Replace with bulbs of the same type and ensure they do not exceed the maximum wattage of 50 Watts per bulb.

5.3. Periodic Checks

- Periodically check all screws and fasteners on the fan and mounting hardware to ensure they are secure.
- Listen for any unusual noises during operation, which may indicate a loose component.

6. TROUBLESHOOTING

If you encounter issues with your Qazqa Mistral I ceiling fan, refer to the following common problems and solutions:

Problem	Possible Cause	Solution
Fan does not start	No power supply; Loose wiring; Motor issue.	Check circuit breaker and wall switch. Ensure all electrical connections are secure. If problem persists, consult a qualified electrician.
Light does not work	Bulb faulty; Loose wiring; Light switch issue.	Replace bulbs. Check wiring connections to the light kit. Ensure the pull chain for the light is functioning correctly.
Fan wobbles	Loose blades; Unbalanced blades; Loose mounting.	Ensure all blade screws are tightened. Check if blades are bent or damaged. Use the provided balancing kit (if included) or small weights to balance the blades. Verify the mounting bracket is securely fastened to the ceiling.

Problem	Possible Cause	Solution
Noisy operation	Loose screws; Motor issue; Blades hitting obstruction.	Check and tighten all screws on the fan body and blades. Ensure no wires or objects are touching the fan blades. If the noise persists, it may indicate an internal motor issue requiring professional inspection.

If you are unable to resolve the issue using the above steps, please contact customer support or a qualified technician.

7. SPECIFICATIONS

Feature	Detail
Brand	Qazqa
Model Number	92646
Product Dimensions	110 cm (Diameter) x 40 cm (Height)
Item Weight	5.08 Kilograms
Material	Alloy Steel
Color	Bronze
Style	Modern
Number of Light Sources	3
Maximum Bulb Wattage	50 Watts (GU10 socket)
Voltage	230 Volts
Power Source	AC (Alternating Current)
Switch Type	Pull Chains
Protection Class	IP20
Noise Level	43.5 Decibels
Special Features	Dimmable (with compatible bulbs and dimmer switch, not included)
Included Components	Light sources excluded

8. WARRANTY AND SUPPORT

For any questions regarding your Qazqa Mistral I ceiling fan, or for technical support, please contact the retailer or manufacturer directly.

While specific warranty details are not provided in this manual, it is advisable to retain your proof of purchase for any warranty claims.

Additional support resources may be available online. You can often find helpful installation guides and troubleshooting tips by searching for "Qazqa Mistral" on video platforms like YouTube.

