

[Manuals.plus](#) /

› [Speakman](#) /

› [Speakman SE-820 Lifesaver Safety Shower Head Instruction Manual](#)

## Speakman SE-820

# Speakman SE-820 Lifesaver Safety Shower Head

Instruction Manual

Model: SE-820 | Brand: Speakman

## PRODUCT OVERVIEW

The Speakman SE-820 Lifesaver Emergency Shower Head is engineered for optimal performance in emergency situations. It features an integral flow control that regulates water output to 20 gallons per minute (GPM), ensuring a balanced pressure when simultaneously operated with an eyewash (if applicable to the system). A self-draining system is incorporated to prevent water collection and freezing, making it suitable for installation in various environmental conditions.

This emergency shower head is certified to ANSI/ISEA Z358.1 standards and is designed to retrofit into existing shower systems.



Figure 1: Front view of the Speakman SE-820 Lifesaver Safety Shower Head, showing the stainless steel dome and the yellow flow control insert.

## IMPORTANT SAFETY INFORMATION

Read all instructions thoroughly before beginning installation or maintenance. Always wear appropriate personal protective equipment (PPE) to ensure safety during installation and servicing.

This product is designed for emergency use. Ensure proper installation and regular testing to comply with ANSI/ISEA Z358.1 standards for emergency eyewash and shower equipment.

**WARNING: This product can expose you to chemicals including lead, which is known to the State of California to cause cancer and birth defects or other reproductive harm. For more information go to [www.P65Warnings.ca.gov](http://www.P65Warnings.ca.gov).**

## SETUP AND INSTALLATION

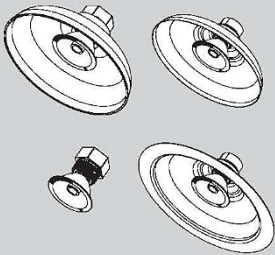
The Speakman SE-820 is designed for straightforward installation. Follow these steps carefully to ensure proper function and compliance.

### Tools and Supplies Required:

- Thread Seal Tape
- Adjustable Wrench

**INSTRUCTIONS FOR MODELS**

SE-810 (-BPT)  
SE-820 (-BPT)  
SE-830 (-BPT)  
SE-840 (-BPT)



**NEED HELP?**

For additional assistance or service please contact:

**SPEAKMAN**® Company  
400 Anchor Mill Road  
New Castle, DE 19720

800-537-2107  
customerservice@speakman.com  
www.speakman.com  
92-SE-800-04


**IMPORTANT**

**FLOW DATA:** 21gpm @ 30psi flowing.

This Emergency Showerhead features a self-draining feature to prevent freezing of water passages within the Showerhead.

**TOOLS AND SUPPLIES**

Thread Seal Tape    Adjustable Wrench



**SAFETY TIPS**

Read all instructions thoroughly before beginning installation. Be sure to wear eye protection.

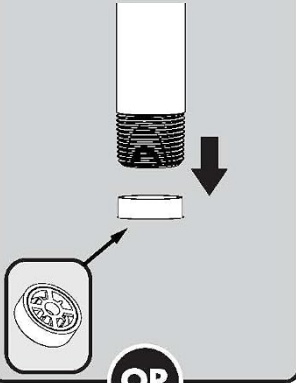
**MAINTENANCE**

Your new Speakman Product is designed for years of trouble-free performance. Keep it looking new by cleaning it periodically with a soft cloth. The use of harsh chemicals and abrasives on any of the Speakman custom finish products may damage the finish and void the product warranty. Please be sure to only use approved cleaners. Please contact Speakman for any clarification of acceptable cleaners.

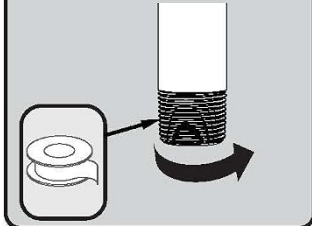
**WARRANTY**

Additional warranty information can be found at [www.speakman.com](http://www.speakman.com)

**1** Option A - If installing Shower Head to existing unit, be sure to remove existing flow control from the outlet pipe.

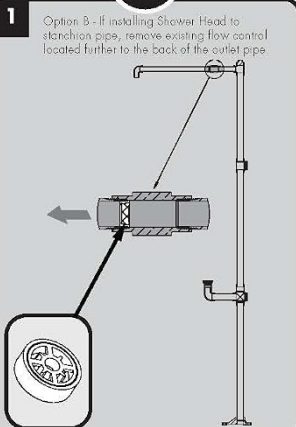


**2** Apply Thread Seal Tape to exposed threads of Emergency Shower Unit in a clockwise direction.



**OR**

**1** Option B - If installing Shower Head to stanchion pipe, remove existing flow control located further to the back of the outlet pipe.



**3** Thread Shower Head onto outlet pipe of Emergency Shower Unit. Wrench-tighten connection. Take care to not overtighten, or damage may occur. Activate Emergency Shower Unit and test for proper operation.

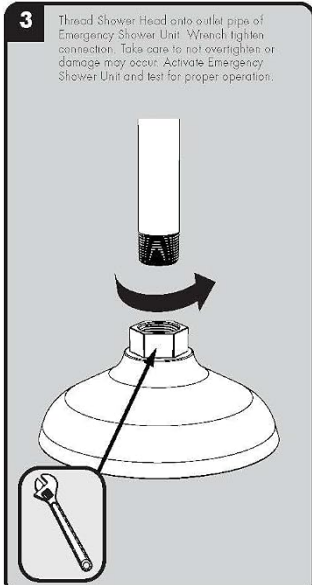


Figure 2: Detailed installation instructions, including required tools and safety guidelines.

### Installation Steps:

- Option A (Existing Shower Head Removal):** If installing into an existing shower head, remove the existing flow control from the outlet pipe.
- Apply thread seal tape to the exposed threads of the emergency shower unit in a clockwise direction.
- Thread the shower head onto the outlet pipe of the emergency shower unit. Use an adjustable wrench to tighten. *Do not overtighten*, as this may cause damage or leaks.
- Option B (New Installation):** If installing the shower head to a stanchion pipe, remove the existing flow control located further back in the outlet pipe.
- After installation, activate the Emergency Shower Unit to test for proper operation and to flush the system.

## Flow Data:

The SE-820 is designed for a flow rate of 20 GPM (gallons per minute) at 30 PSI (pounds per square inch) flowing pressure.

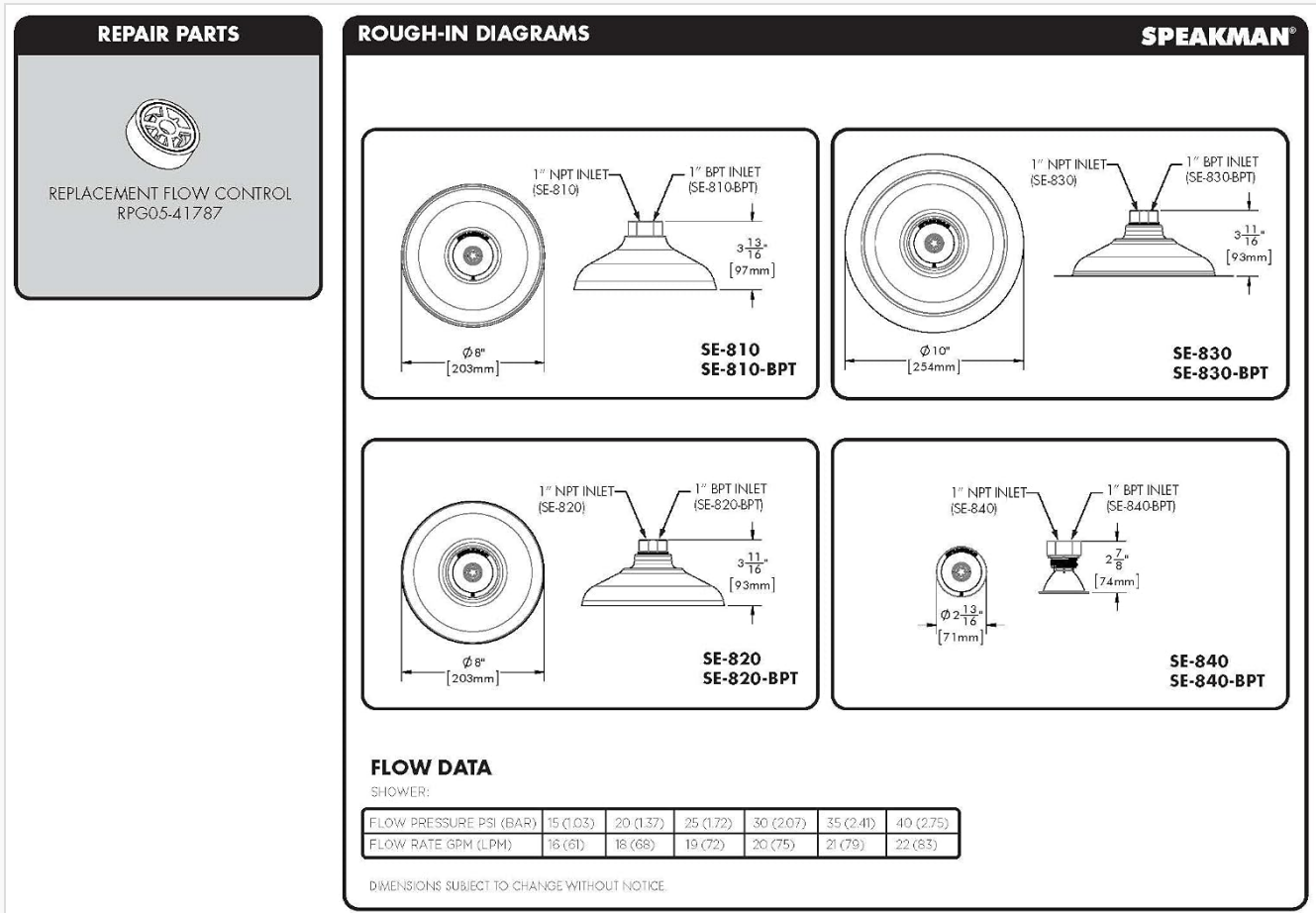


Figure 3: Rough-in diagrams for various Speakman emergency shower head models, including flow data table.

### Shower Flow Data (SE-820)

<b>Flow Pressure PSI (BAR)</b>	<b>15 (1.03)</b>	<b>20 (1.37)</b>	<b>25 (1.72)</b>	<b>30 (2.07)</b>	<b>35 (2.41)</b>	<b>40 (2.75)</b>
Flow Rate GPM (LPH)	16 (61)	18 (68)	19 (72)	20 (75)	21.4 (79)	22 (83)

## OPERATION

The Speakman SE-820 Lifesaver Safety Shower Head is designed for immediate activation as part of an emergency shower system. When the emergency shower is activated, the shower head will deliver a steady stream of water at a regulated flow rate of 20 GPM.

The integral flow control ensures consistent performance, and the self-draining feature automatically empties excess water after use, preventing freezing in cold environments.

## MAINTENANCE

Your new Speakman product is designed for years of trouble-free performance. Regular maintenance is crucial to ensure the longevity and proper function of the emergency shower head.

- Keep the product looking new by cleaning it periodically with a soft cloth.
- Avoid abrasive cleaners, solvents, or strong chemicals, as these can damage the finish and void the product warranty.
- Only use approved cleaners.
- Regularly test the emergency shower system to ensure it is in proper working order and meets ANSI/ISEA Z358.1 compliance.

## Repair Parts:

For replacement parts, refer to the following:

- Replacement Flow Control: RPG05-41787

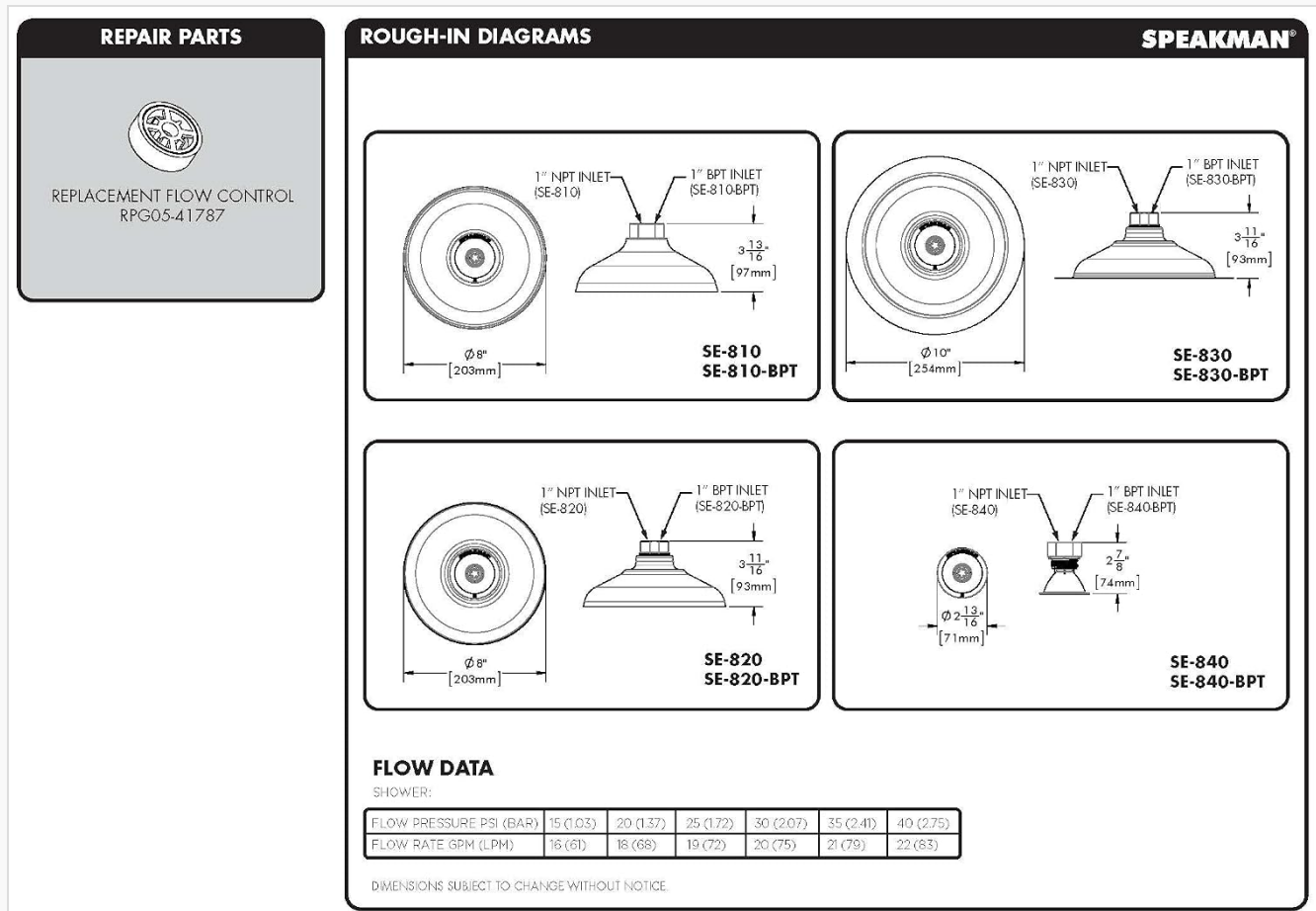


Figure 4: Diagram illustrating the replacement flow control part.

## TROUBLESHOOTING

If you experience issues with your Speakman SE-820 Lifesaver Safety Shower Head, consider the following general troubleshooting steps:

- **Low Flow:** Check for obstructions in the water supply line or within the shower head itself. Ensure adequate water pressure is supplied to the unit. Verify the flow control is correctly installed and not blocked.
- **Leaks:** Ensure all connections are properly tightened with thread seal tape. Do not overtighten. Inspect for any cracks or damage to the shower head or piping.
- **No Water Flow:** Confirm the water supply valve to the emergency shower system is fully open. Check for any blockages in the supply line.

For persistent issues or complex problems, please contact Speakman customer service for assistance.

## SPECIFICATIONS

Detailed specifications for the Speakman SE-820 Lifesaver Safety Shower Head:

- **Model:** SE-820
- **Material:** Stainless Steel
- **Finish Type:** Brushed
- **Shape:** Round
- **Installation Type:** Ceiling Mounted (typical)
- **Flow Rate:** 20 Gallons Per Minute (GPM) at 30 PSI
- **Product Dimensions:** 8 x 8 x 3.81 inches
- **Item Weight:** 14.9 ounces
- **Certification:** ANSI/ISEA Z358.1 certified
- **UPC:** 671252112232

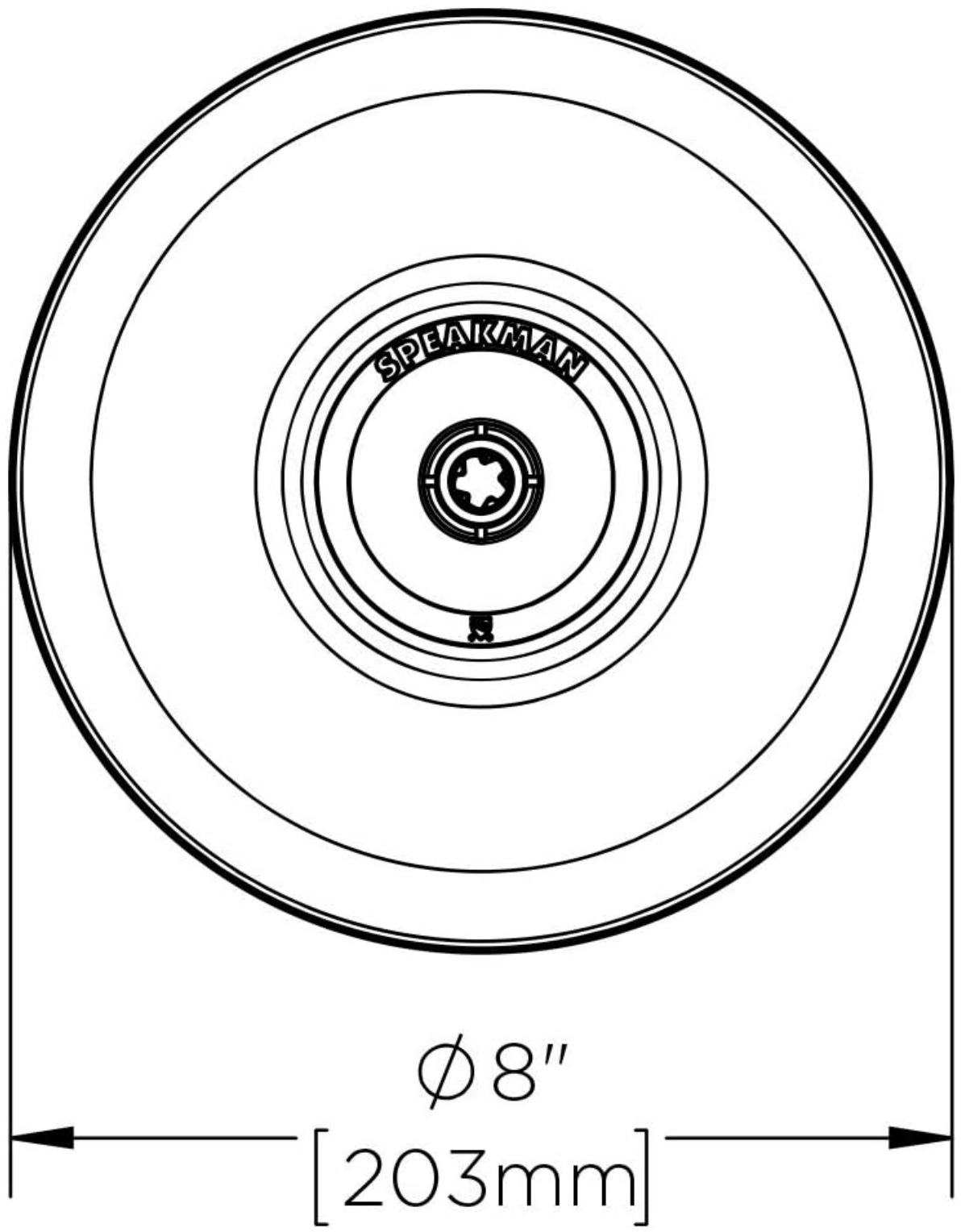
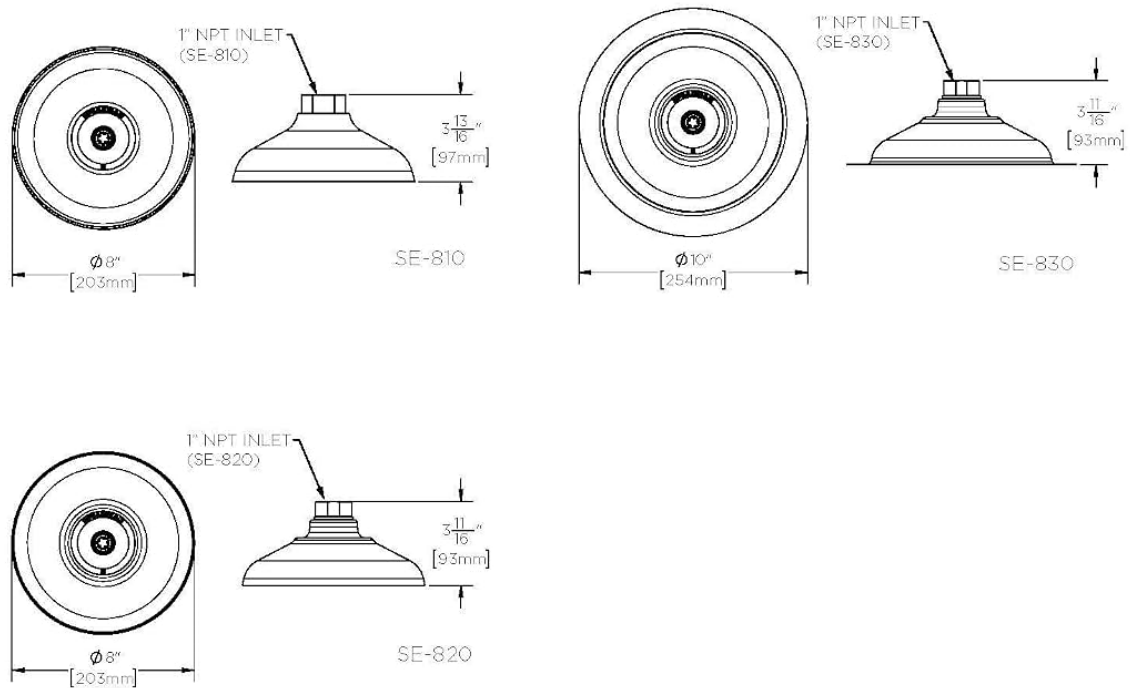


Figure 5: Dimensional drawing of the Speakman SE-820, indicating an 8-inch diameter.



Architect/Engineer Approval Space:

696

SPEAKMAN  
400 ANCHOR MILL ROAD  
NEW CASTLE, DE 19720

P: 800-537-2107  
F: 800-977-2747  
W: WWW.SPEAKMAN.COM  
R: APRIL 2017

Figure 6: Technical drawing showing detailed dimensions and the 1" NPT inlet for the SE-820 model.

## WARRANTY

Speakman products are manufactured under strict quality standards and are designed for long-lasting performance. For specific warranty information, please refer to the official Speakman warranty policy available on their website or contact customer service. Please note that using unapproved cleaners or improper installation may void the product warranty.

Additional warranty information can be found at [www.speakman.com](http://www.speakman.com).

## CUSTOMER SUPPORT

---

For additional assistance or service, please contact Speakman Company:

Speakman Company

400 Anchor Mill Road

New Castle, DE 19720

Phone: 800-537-2107

Email: [customerservice@speakman.com](mailto:customerservice@speakman.com)

Website: [www.speakman.com](http://www.speakman.com)

Reference Document: 92-SE-800-04

---

© 2024 Speakman Company. All rights reserved.

This manual is for informational purposes only. Speakman reserves the right to make changes without prior notice.