

[Manuals.plus](#) /

> [Voigtländer](#) /

> Voigtlander Super Wide-Heliar 15mm f/4.5 Lens for Sony E-Mount Cameras User Manual

## Voigtländer BA329B

# Voigtlander Super Wide-Heliar 15mm f/4.5 Lens for Sony E-Mount Cameras User Manual

## INTRODUCTION

This manual provides detailed instructions for the proper use, setup, and maintenance of your Voigtlander Super Wide-Heliar 15mm f/4.5 Aspherical III Lens for Sony E-Mount cameras. Please read this manual thoroughly before using the lens to ensure optimal performance and longevity.

## PRODUCT OVERVIEW

The Voigtlander Super Wide-Heliar 15mm f/4.5 Aspherical III is an ultra-sharp, ultra-wide-angle manual focus lens designed specifically for Sony E-Mount cameras. It features a robust metal construction and transmits EXIF information to the camera body.

### Key Features:

- Ultra-sharp, ultra-wide-angle design.
- Dedicated Sony FE-Mount for direct compatibility.
- Selective aperture control for clickless video shooting.
- Chipped for EXIF information transmission to the camera.
- Manual focus operation.





**Figure 2:** Side view of the Voigtlander Super Wide-Heliar 15mm f/4.5 Lens, illustrating the focus and aperture rings with their respective markings.

## SETUP

### Attaching the Lens:

1. Ensure both the camera and the lens are clean and free of dust.
2. Align the red dot on the lens barrel with the corresponding red dot on your Sony E-Mount camera body.
3. Gently insert the lens into the camera mount.

4. Rotate the lens clockwise until it clicks into place, indicating it is securely locked. Do not force the lens if it does not rotate smoothly.

## Detaching the Lens:

1. Turn off your camera.
2. Press and hold the lens release button on your camera body.
3. While holding the button, rotate the lens counter-clockwise until it detaches from the camera body.
4. Place the rear lens cap on the detached lens and the body cap on the camera to protect the sensor.

## OPERATING THE LENS

---

### Focusing:

This is a manual focus lens. Rotate the focus ring (the wider ring closer to the camera body) to adjust the focus. The lens features a mechanical focus ring with distinct start and stop points, providing tactile feedback. For precise focusing, especially with wide-angle lenses, utilize your camera's focus peaking and magnification assist functions. Many Sony E-Mount cameras can be configured to automatically activate focus magnification when the focus ring is turned.

### Aperture Control:

The aperture is controlled via the aperture ring (the narrower ring closer to the front of the lens). Rotate this ring to select your desired f-stop. The lens offers selective aperture control, allowing you to switch between clicked stops for photography and a clickless mode for smooth aperture adjustments during video recording. Refer to your camera's manual for how to best utilize manual aperture lenses for exposure.

### EXIF Data Transmission:

The lens is chipped to transmit EXIF information (such as aperture and focal length) to your Sony E-Mount camera body. This ensures that relevant shooting data is recorded with your images.

### Integrated Lens Hood:

The lens features an integrated, non-removable lens hood. This hood helps to reduce flare and ghosting by blocking extraneous light from entering the lens. Due to the integrated design, filters cannot be directly attached to the front of this lens.

## MAINTENANCE AND CARE

---

- **Cleaning the Lens:** Use a soft, lint-free microfiber cloth specifically designed for optical surfaces to clean the lens elements. For stubborn smudges, use a small amount of lens cleaning fluid applied to the cloth, not directly to the lens. Use a blower brush to remove dust particles before wiping.
- **Storage:** When not in use, always attach the front and rear lens caps to protect the lens elements and mount. Store the lens in a dry, cool place, away from direct sunlight and extreme temperatures. Consider using a dehumidifying cabinet if you live in a high-humidity environment.
- **Handling:** Avoid dropping or subjecting the lens to strong impacts. Always hold the lens by its barrel, not by the focus or aperture rings, when attaching or detaching it.

## TROUBLESHOOTING

---

- **Lens not locking onto camera:** Ensure the lens is correctly aligned with the camera mount's red dot and that no obstructions are present. Do not force the lens; if it does not rotate and click, re-align and try again.

- **Images appear soft or out of focus:** This is a manual focus lens. Ensure you are using your camera's focus assist features (e.g., focus peaking, magnification) to achieve accurate focus. For landscape photography, setting the focus to infinity may not always yield the sharpest results across the entire scene; fine-tune using magnification.
- **No EXIF data recorded:** Verify that the lens is securely mounted and that your camera's firmware is up to date. If the issue persists, consult a qualified service technician.
- **Vignetting or distortion:** Some degree of vignetting (darkening at the corners) and minor distortion is common with ultra-wide-angle lenses. Modern image editing software often includes lens profiles that can automatically correct these optical characteristics.

## SPECIFICATIONS

Feature	Detail
Brand	Voigtländer
Model Number	BA329B
Focal Length	15 mm
Maximum Aperture	f/4.5
Lens Type	Wide Angle
Compatible Mountings	Sony E
Focus Type	Manual Focus
Product Dimensions	5.2 x 4.4 x 4.4 inches
Item Weight	1 pound

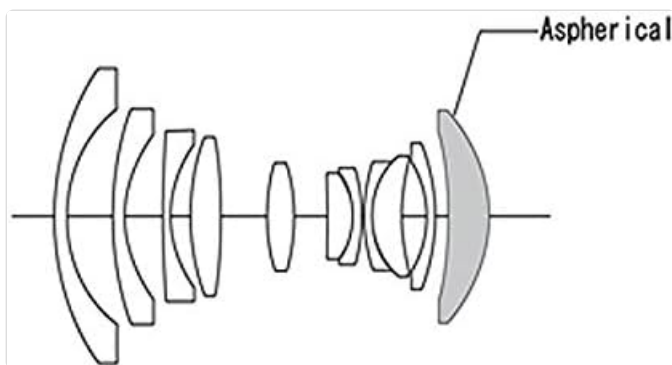


Figure 3: Simplified optical diagram illustrating the lens element arrangement, including aspherical elements.

## WARRANTY AND SUPPORT

For information regarding warranty coverage and technical support, please refer to the documentation provided with your purchase or visit the official Voigtländer website. Keep your proof of purchase for warranty claims.



