

[Manuals.plus](#) /

> [Bosch](#) /

> Bosch OSL005C 5 pc. Starlock® Oscillating Multi-Tool Accessory Blade Set Instruction Manual

Bosch OSL005C

Bosch OSL005C 5 pc. Starlock® Oscillating Multi-Tool Accessory Blade Set Instruction Manual

Model: OSL005C | Brand: Bosch

1. PRODUCT OVERVIEW

The Bosch OSL005C is a 5-piece Starlock oscillating multi-tool accessory blade set designed for a variety of applications in metal, wood, and other general-purpose materials. This set includes a specialized carbide blade for enhanced performance in metal cutting tasks. The Starlock interface ensures a secure, three-dimensional fit between the multi-tool and the accessory, providing optimal torque transfer and reduced vibration for higher performance.

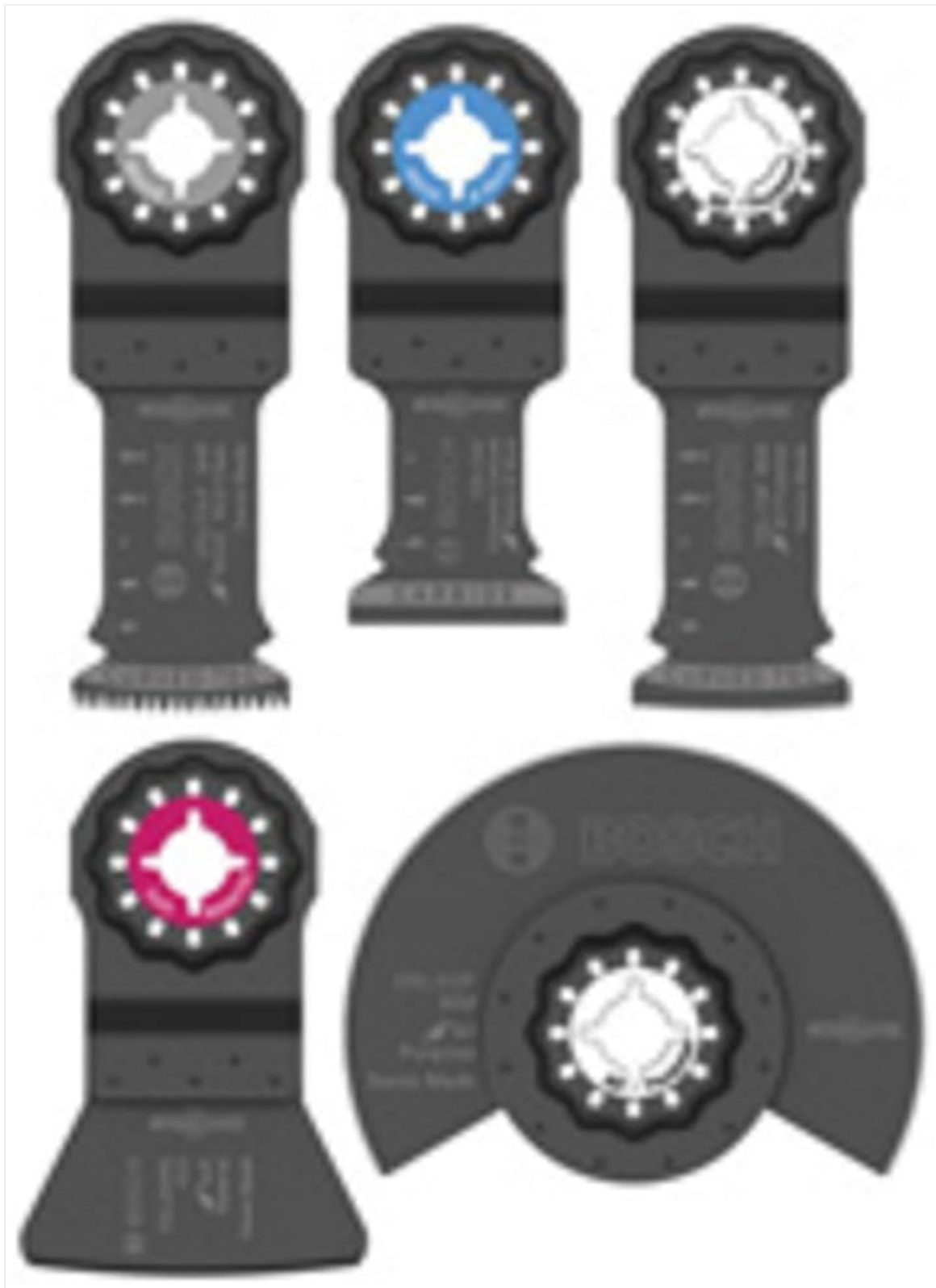


Image 1.1: The Bosch OSL005C 5-piece Starlock Oscillating Multi-Tool Accessory Blade Set.

The set includes the following blades:

- **OSL114C Carbide Blade:** For extreme metal applications.
- **OSL114JF Plunge Blade:** Bi-metal, optimized for clean cuts in hardwood.
- **OSL114F Plunge Blade:** Bi-metal, for wood and general purpose.
- **OSL312F Segmented Blade:** Bi-metal, for all-purpose cutting.
- **OSL200RS Scraping Blade:** For soft materials like caulk, adhesives, and carpet.

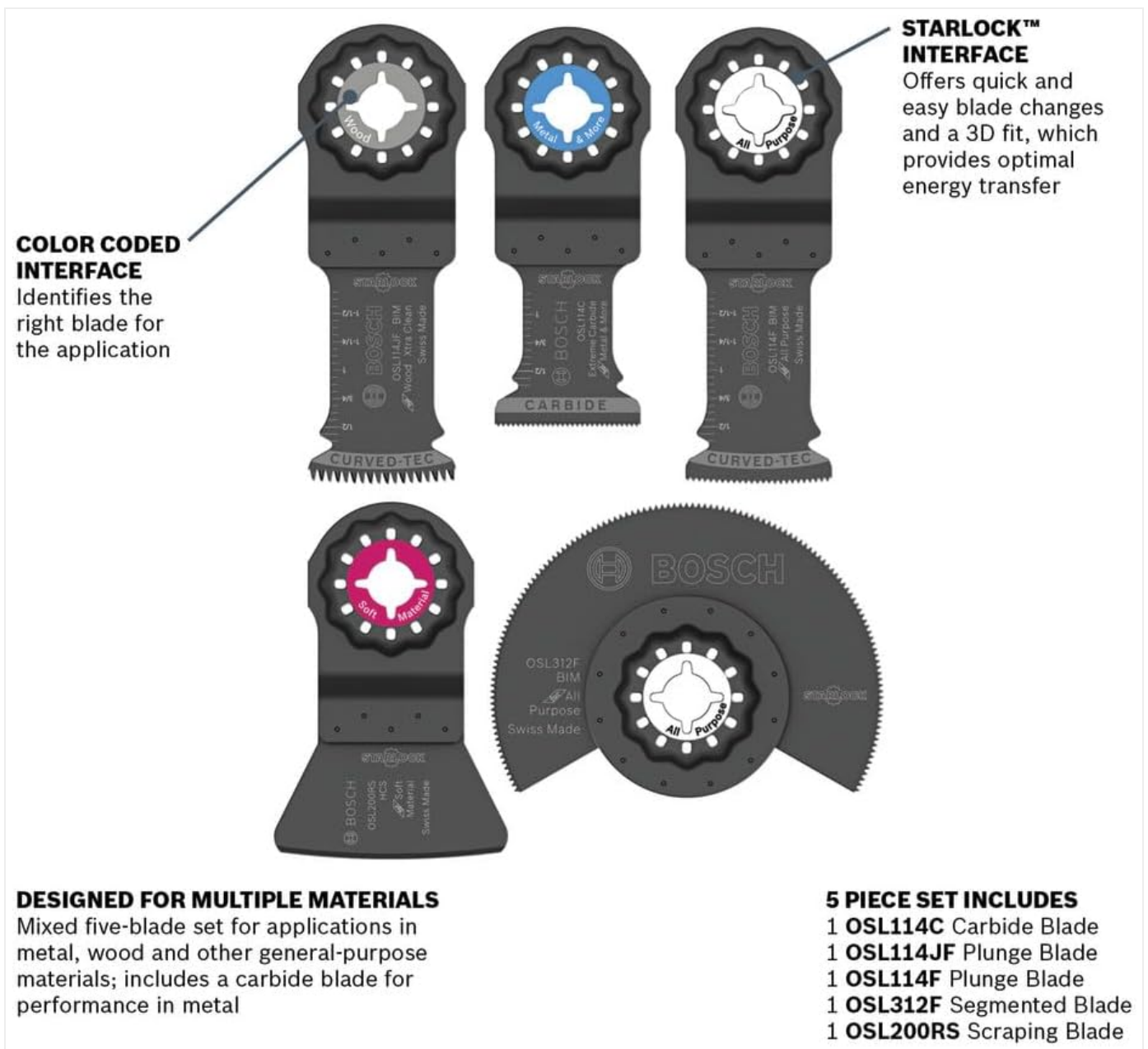


Image 1.2: Overview of the five Starlock blades included in the OSL005C set, highlighting their color-coded interfaces for quick identification.

The Starlock interface is designed for professional performance and is compatible with existing OIS-compatible tools from brands such as Bosch, Fein, Milwaukee, Makita, and others.

FITS MULTIPLE BRANDS



**FEIN
MILWAUKEE
MAKITA
RIDGID
ROCKWELL
HITACHI
RYOBI
OTHER PRO
TOOLS**

STARLOCK.

Image 1.3: Starlock blade compatibility with various multi-tool brands.

2. SAFETY INFORMATION

Always prioritize safety when using power tools and accessories. Read and understand the safety instructions provided with your oscillating multi-tool before using these blades. Failure to follow all instructions may result in electric shock, fire, and/or serious injury.

- **Eye Protection:** Always wear appropriate eye protection, such as safety goggles or safety glasses with side shields, when operating power tools.
- **Hand Protection:** Wear heavy-duty work gloves to protect hands from sharp blades and debris.
- **Respiratory Protection:** When cutting materials that produce dust, wear a dust mask or respirator.
- **Secure Workpiece:** Always secure the workpiece firmly to prevent movement during operation.
- **Inspect Blades:** Before each use, inspect blades for damage, cracks, or excessive wear. Do not use damaged blades.
- **Proper Blade Selection:** Use the correct blade type for the material being cut to ensure efficient and safe

operation.

- **Tool Compatibility:** Ensure the blade is correctly installed and securely fastened to a compatible oscillating multi-tool.
- **Keep Clear:** Keep hands and body parts away from the cutting area and moving blades.
- **Unplug Tool:** Always unplug the multi-tool or remove the battery pack before changing accessories or performing maintenance.

3. SETUP AND INSTALLATION

The Starlock system is designed for quick and easy blade changes. Follow these steps to install a blade onto your compatible oscillating multi-tool:

1. **Ensure Tool is Off and Unplugged/Battery Removed:** Before handling any accessories, make sure your oscillating multi-tool is turned off, unplugged from the power source, or has its battery pack removed to prevent accidental startup.
2. **Release the Blade (if applicable):** If a blade is currently installed, pull the lever on the multi-tool's head to release it.
3. **Align the Starlock Blade:** Take the desired Starlock blade and align its star-shaped interface with the corresponding fitting on the multi-tool's head. The color-coded interface on the blade helps identify its primary application (e.g., wood, metal, soft material, all-purpose).
4. **Snap New Blade into Place:** Push the blade firmly onto the tool head until it audibly clicks and locks into position. Ensure the blade is seated securely and does not wobble.
5. **Verify Installation:** Gently tug on the blade to confirm it is firmly attached before operating the tool.

HOW-TO CHANGE STARLOCK BLADES

1 PULL LEVER TO RELEASE THE BLADE



2 SNAP NEW BLADE INTO PLACE



Image 3.1: Visual guide for changing Starlock blades.

For a visual demonstration of the blade changing process, please refer to the official product video below:



Video 3.1: Official Bosch video demonstrating the Starlock Professional Oscillating System, including blade changes and various applications.

4. OPERATING INSTRUCTIONS

Select the appropriate blade for your task and ensure it is securely installed before beginning work. Always refer to your multi-tool's manual for specific operating procedures.

4.1. OSL114C Carbide Blade (Metal & More)

This blade is designed for extreme durability and performance in tough materials, including hardened metal. It is ideal for cutting nails, screws, rebar, and other metallic objects embedded in wood or other substrates.



MIXED SET TO COVER A RANGE OF GENERAL APPLICATIONS

STARLOCK

Image 4.1: The OSL114C Carbide Blade in use for cutting metal.

4.2. OSL114JF and OSL114F Plunge Blades (Wood)

These bi-metal plunge blades are optimized for clean and precise cuts in wood. The OSL114JF is specifically designed for hardwood, while the OSL114F is suitable for general wood applications. They are excellent for making cutouts in flooring, trim, or for flush cutting applications.

OSL114JF PLUNGE BLADE

**FOR CUTS
IN WOOD**

**BI-METAL BLADE
OPTIMIZED FOR CLEAN
CUTS IN HARD WOOD**

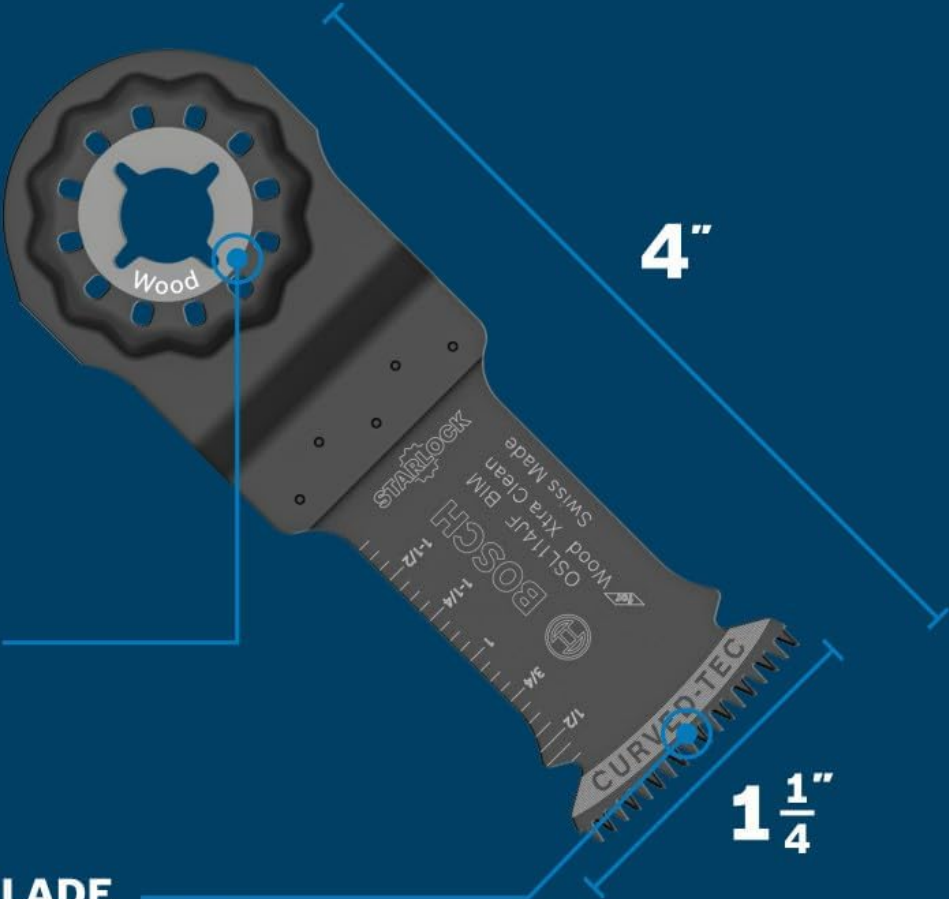


Image 4.2: The OSL114JF Plunge Blade, designed for wood cutting.



Image 4.3: Using a wood plunge blade for precise cuts.

4.3. OSL312F Segmented Blade (All-Purpose)

This bi-metal segmented blade is versatile for various all-purpose cutting tasks. Its circular shape allows for flush cutting and working in corners or tight spaces. It is suitable for wood, plastic, and non-ferrous metals.

4.4. OSL200RS Scraping Blade (Soft Materials)

The scraping blade is designed for removing soft materials such as caulk, adhesives, paint, and carpet. Its sharp edge allows for efficient material removal without damaging the underlying surface.



Image 4.4: The OSL200RS Scraping Blade in action.

5. MAINTENANCE

Proper maintenance extends the life of your blades and ensures consistent performance.

- **Cleaning:** After each use, clean blades to remove debris, resin, or other material buildup. Use a wire brush or appropriate cleaning solution for the blade material.
- **Inspection:** Regularly inspect blades for signs of wear, dullness, cracks, or bent teeth. A dull blade can lead to inefficient cutting, overheating, and increased strain on your multi-tool.
- **Storage:** Store blades in their original case or a suitable container to protect them from damage and moisture. Keep them out of reach of children.
- **Sharpening:** While some blades can be sharpened, it is generally recommended to replace them when they become dull or damaged to maintain optimal performance and safety.

6. TROUBLESHOOTING

If you encounter issues while using your Bosch Starlock blades, consider the following:

- **Poor Cutting Performance:**

- Ensure the correct blade type is selected for the material.
- Check if the blade is dull or damaged; replace if necessary.
- Verify the blade is securely attached to the multi-tool.

- **Excessive Vibration:**

- Confirm the blade is properly seated and locked onto the tool.
- Inspect the blade for any bends or damage that could cause imbalance.

- **Overheating Blade:**

- Reduce cutting pressure.
- Allow the blade to cool periodically, especially during prolonged use.
- Ensure the blade is sharp; dull blades generate more friction and heat.

If problems persist, consult your multi-tool's instruction manual or contact Bosch customer support.

7. SPECIFICATIONS

Model	OSL005C
Brand	Bosch
Number of Pieces	5
Material	Blend (Bi-metal, Carbide, HCS)
Compatible Materials	Metal, Wood, Soft Materials
Product Dimensions (L x W)	1"L x 8.75"W (packaging)
Item Weight	27.22 g
Included Components	(1) OSL114C, (1) OSL114JF, (1) OSL114F, (1) OSL200RS, (1) OSL312F
UPC	000346482836

8. WARRANTY AND SUPPORT

For detailed warranty information regarding your Bosch Starlock oscillating multi-tool accessory blades, please refer to the official Bosch website or the documentation included with your purchase. Bosch provides support for its products to ensure customer satisfaction.

Online Support: Visit the official Bosch Tools website for product information, FAQs, and contact options.

Customer Service: Contact Bosch customer service for assistance with product inquiries, technical support, or warranty claims.



