

[Manuals.plus](#) /

> [Revell](#) /

> Revell of Germany Tiger II Ausf.B (Henschel Turret) Model Kit Instruction Manual

Revell 80-3249

Revell of Germany Tiger II Ausf.B (Henschel Turret) Model Kit Instruction Manual

Model Number: 80-3249

INTRODUCTION

This instruction manual provides detailed guidance for assembling and maintaining your Revell of Germany Tiger II Ausf.B (Henschel Turret) plastic model kit. This 1:35 scale model offers an engaging building experience for enthusiasts aged 16 years and older. The kit features an extensively modeled chassis, easy-to-mount tracks, a rotating turret, an elevating gun, and hatches that can be positioned open or closed. Two sets of decals are included for customization.



SETUP AND PREPARATION

Before beginning assembly, ensure you have a clean, well-lit workspace. This kit contains 250 small plastic parts and requires additional materials for completion. Cement and paint are not included in this kit and must be purchased separately. Review all parts and the included paper instructions thoroughly before starting.

Required Tools and Materials (Not Included):

- Plastic model cement or glue
- Hobby knife or sprue cutters
- Small files or sandpaper for cleaning parts
- Paints (acrylic or enamel, as recommended by Revell for military models)
- Paintbrushes or airbrush
- Tweezers for small parts

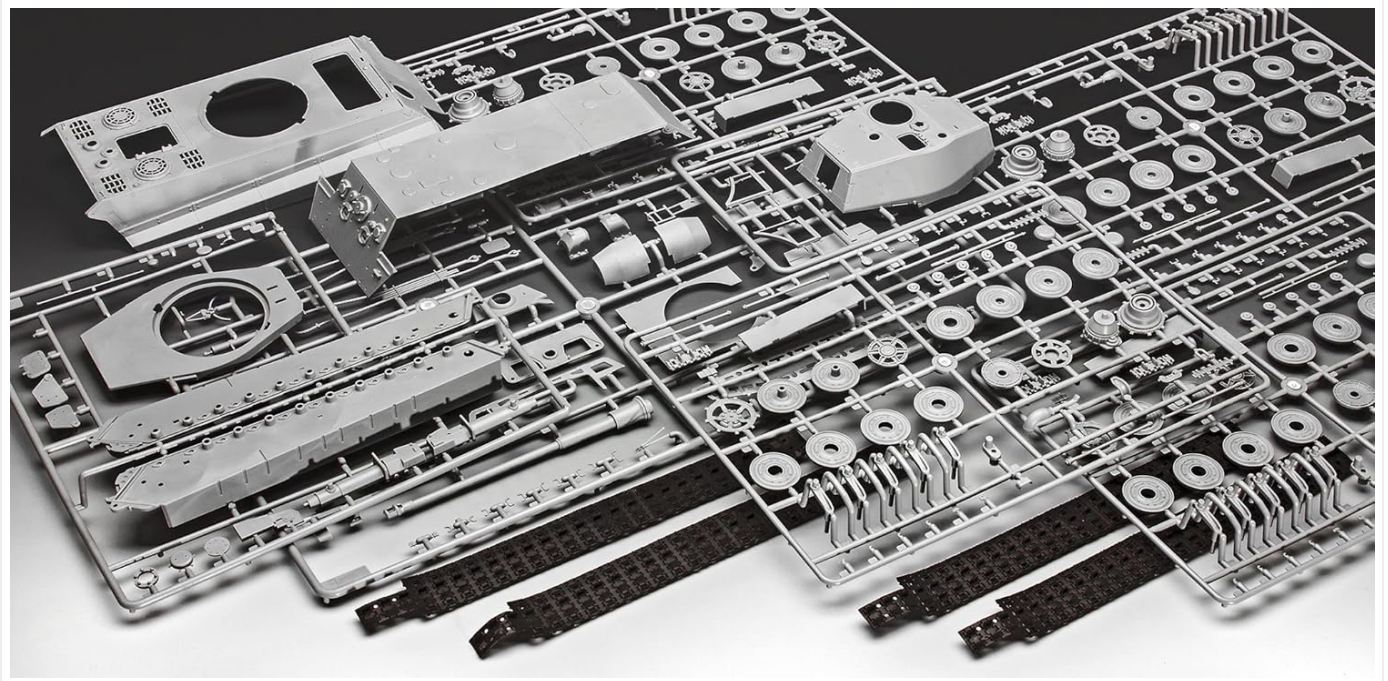


Image: Various plastic sprues containing the unassembled parts of the Revell Tiger II Ausf.B model kit, laid out on a surface.



BUILD + PAINT
Model Kit - Cement and Paint not included

03249



Inhalt - Content - Le contenu - Inhalt - Contenido - Conținut

Batch Code:

Verpackung für spätere Rückfragen aufbewahren.
Keep packaging for later questions.
Conserver l'emballage pour références ultérieures.
Bewaar de verpakking voor eventuele vragen.
Guardar el embalaje para futuras consultas.
Conservare l'imballaggio per richieste future.

Made in Ukraine. Manufactured by: Carrera Revell Europe GmbH, Henschelstr. 20-30, D-32257 Bünde.
Distributed in USA by: Carrera Revell of Americas Inc., Suite 307N, 197 Route 18 South, East Brunswick, NJ 08816, USA.
Distributed in UK by: Carrera Revell UK Ltd., Unit 10, Old Airfield Industrial Estate, Cheddington Lane, Tring HP23 4QR, UK.
REVELL IS THE REGISTERED TRADEMARK OF CARRERA REVELL EUROPE GMBH. © 2025



BUILD + PAINT
Model Kit - Cement and Paint not included



Photographie - Fotografie - model - Penname - Fotografie - Fotografia - modelle



Ⓢ Detaillierte Bausätze für fortgeschrittene Modellbauer mit Erfahrung beim Bemalen und Kleben.
Ⓢ Nicht zusammengebauter Kunststoffmodellbausatz, Klebstoff und Farben (nicht enthalten) zur Fertigstellung gemäß Abbildung erforderlich.
Ⓢ Detailed model kits for advanced model builders with experience of painting and gluing.
Ⓢ Non-assembled plastic model kits. Adhesive and paints (not included) required for results similar to the images.
Ⓢ Kits détaillés pour modélistes avancés ayant de l'expérience dans la peinture et le collage.
Ⓢ Kit de modelisme en plastique non assemblé. Colle et peintures (non incluses) nécessaires pour la finition conformément aux illustrations.
Ⓢ Gedetailleerde bouwpakketten voor gevorderde modelbouwers met ervaring in schilderen en lijmen.
Ⓢ Niet-geassembleerde kunststof modelbouwset. Lijm en lak (niet meegeleverd) voor de assemblage volgens de afbeeldingen benodigd.
Ⓢ Kits en detalle para constructores de maquetas avanzados con experiencia en el pegado y el pintado.
Ⓢ Kit de modelismo de plástico sin montar. Adhesivo y pinturas (no incluidas) requeridos para completar el modelo según las ilustraciones.
Ⓢ Kit da costruzione dettagliati per costruttori di modelli avanzati con esperienza con colla e colori.
Ⓢ Kit di modellini in plastica smontati. Colla e vernici necessari (non inclusi) per il completamento secondo le figure.

Ⓢ Empfohlenes Zubehör:
Ⓢ Recommended accessories:
Ⓢ Accessoires recommandés:
Ⓢ Aanbevolen toebehoren:
Ⓢ Accesorios recomendados:
Ⓢ Accessori consigliati:



Ⓢ Modellbausatz des legendären Tiger II, auch Königstiger genannt, mit Henschel-Turm - Turmpanzerfahrzeug mit Drehtablette - Montagefreundliche Vinylketten - Drehbarer Turm - Höhenrichtbare Kanone - Turmhaken wahlweise geöffnet darzustellen - Authentische Abziehbilder für zwei Fahrzeuge

Ⓢ Model construction kit of the legendary Tiger II, also known as the King Tiger with the Henschel turret - Extensively modelled chassis with torsion bar suspension - Easy to mount Vinyl tracks - Rotatable turret - Elevating gun - Turret hatches can be mounted in the open or closed position - Authentic decal set for two vehicles

Ⓢ Modèle à construire du légendaire Tiger II, surnommé Tigre Royal, avec tourelle Henschel - Train de roulement soigné, avec suspensions par barres de torsion - chenilles en vinyle faciles à monter - tourelle pivotante - Canon réglable en élévation - Possibilité de laisser les écoutilles de tourelle ouvertes - Décalcomanies authentiques pour deux engins

Ⓢ Modelo para armar del legendario Tiger II, también llamado Königstiger (Tigre de Bengala), con torre Henschel - Amplia suspensión con barra de torsión - Cadena de vinilo de montaje fácil - Torreta giratoria - Cañón de altura ajustable - Escotillas de la torre representables opcionalmente como abiertas - Autoadhesivos auténticos para dos vehículos

Ⓢ Modello in kit del leggendario Tiger II, noto anche come Königstiger (Tigre Reale) con torretta Henschel - Carrello completo con sospensioni a barra di torsione - Catena in vinile facile da montare - Torretta girevole - Cannone regolabile in altezza - Portelli della torretta apribili a scelta - Decalcomanie autentiche per due veicoli

Ⓢ Für Basis-Bemalung empfohlen:
Ⓢ Aanbevolen voor basisbeschildering:

Ⓢ Recommended for basic painting:
Ⓢ Recomendado para la pintura básica:

Ⓢ Recommandé pour la peinture de base:
Ⓢ Raccomandato per la pittura di base:

⚠ WARNING: Not suitable for children under 3 years. Small parts, choking hazard.



www.revell.de

03249 4 009803 032498

V.02.02

Image: Back of the Revell Tiger II Ausf.B model kit box, showing various assembled views, recommended paint colors, and skill level indicators.

ASSEMBLY INSTRUCTIONS

Follow the step-by-step instructions provided in the physical manual included with your kit. The assembly process typically involves cutting parts from the sprues, cleaning any excess plastic (flash), gluing parts together, and applying paint and decals.

Key Assembly Features:

- **Chassis:** Extensively modeled chassis with torsion bar suspension details.
- **Tracks:** Easy-to-mount track sections for realistic appearance.
- **Turret:** Rotating Henschel turret with an elevating 88mm gun.
- **Hatches:** Hatches can be assembled in either open or closed positions.
- **Decals:** Two sets of decals are provided for various marking options.

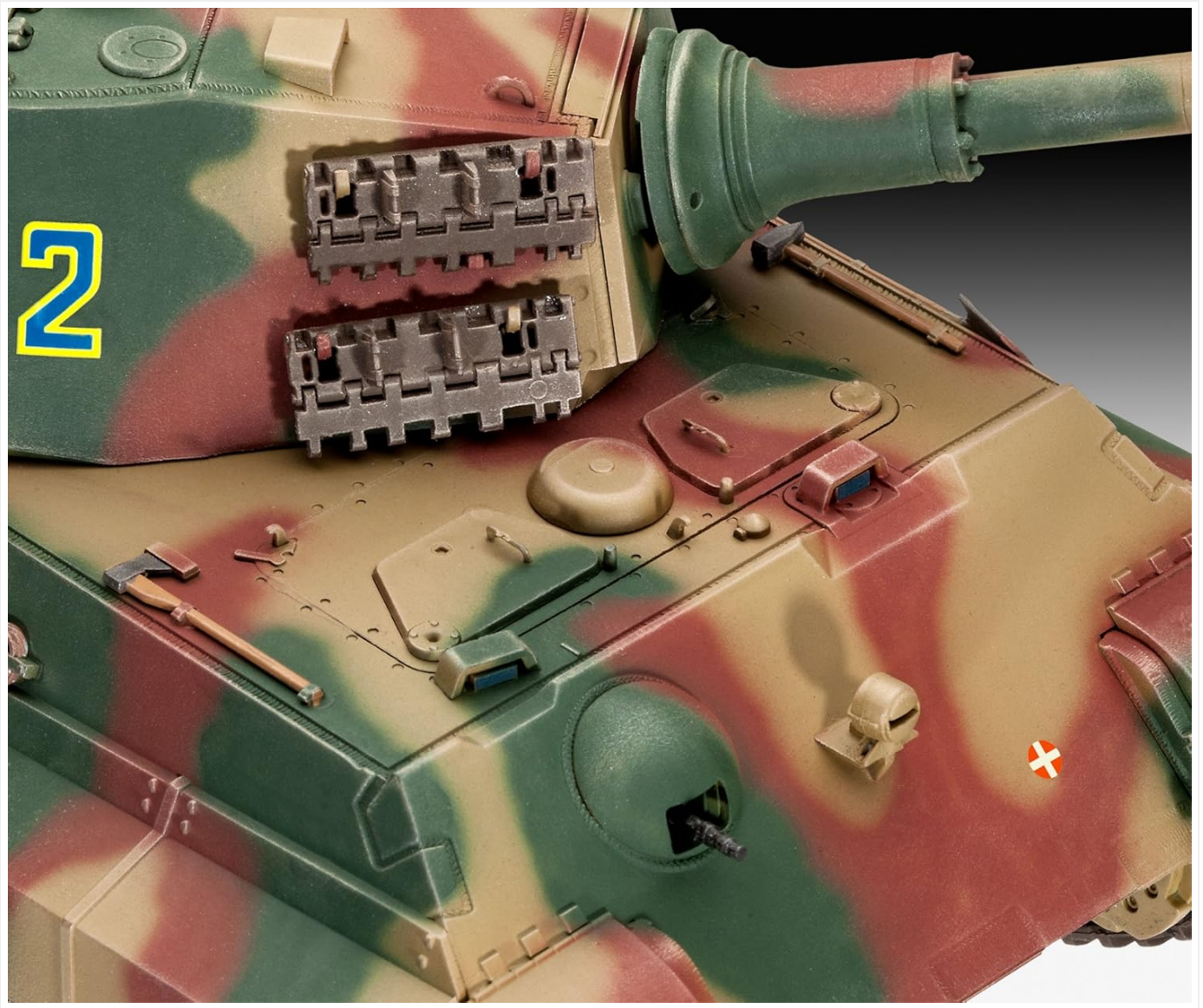


Image: Close-up view of the upper hull of the assembled Revell Tiger II Ausf.B model, showing intricate details and camouflage paint scheme.



Image: Top-down view of the Henschel turret on the assembled Revell Tiger II Ausf.B model, highlighting the gun barrel, commander's cupola, and turret details.

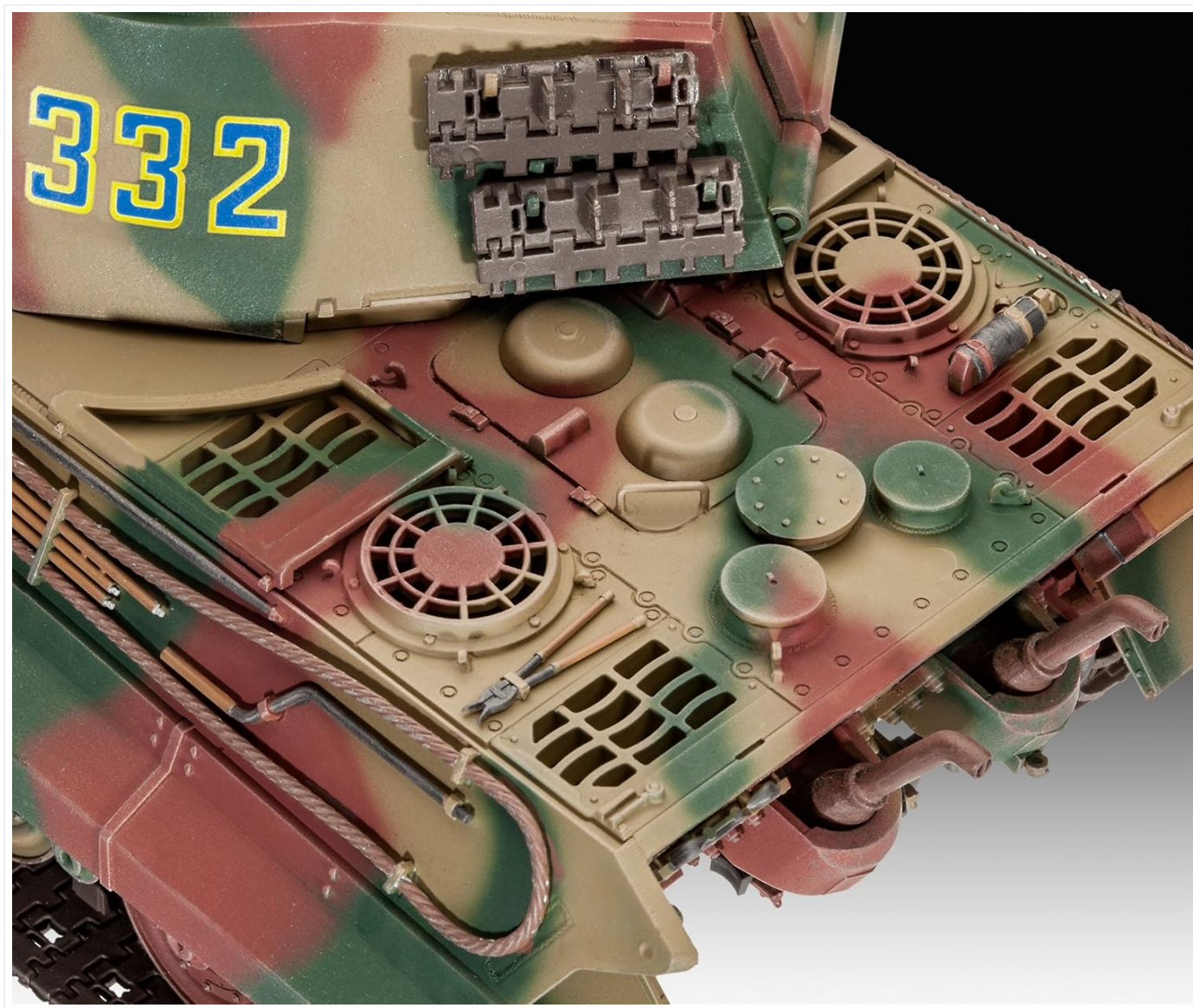


Image: Rear-top view of the assembled Revell Tiger II Ausf.B model, showing the engine deck grilles, exhaust pipes, and various tools mounted on the hull.



Image: Side view of the assembled Revell Tiger II Ausf.B model, showcasing the detailed tracks, road wheels, and side skirts.

DISPLAY AND HANDLING

Once assembled and painted, your Revell Tiger II model is designed for display. Handle the model with care to prevent damage to delicate parts. The turret is designed to rotate, and the main gun can be elevated, allowing for dynamic display options.

- Avoid dropping the model.
- Do not apply excessive force to movable parts.
- Display in a stable location away from direct sunlight or extreme temperatures.

MAINTENANCE

To keep your model in optimal condition, occasional cleaning is recommended.

- **Dusting:** Use a soft brush or a can of compressed air to gently remove dust.
- **Cleaning:** For more stubborn dirt, lightly dampen a soft cloth with water (avoiding harsh chemicals) and gently wipe the surface. Ensure the cloth is not dripping wet.
- **Storage:** If storing the model, place it in a protective container to prevent dust accumulation and accidental damage.

TROUBLESHOOTING (ASSEMBLY)

While assembling your model, you might encounter common issues. Here are some tips:

- **Parts not fitting:** Ensure you have the correct parts for the step. Check for excess plastic (flash) on the edges of parts and carefully remove it with a hobby knife or file.
- **Glue issues:** Use plastic model cement sparingly. Too much glue can melt the plastic or leave unsightly marks. Allow sufficient drying time for each joint.
- **Decal application:** Ensure the surface is clean and smooth. Use decal setting solutions for better adhesion and to conform decals to irregular surfaces.
- **Missing parts:** Double-check the sprues and the box. If a part is genuinely missing, contact Revell customer support.

SPECIFICATIONS

Feature	Detail
Brand	Revell
Model Name	Tiger II Ausf.B (Henschel Turret)
Model Number	80-3249
Scale	1:35
Material Type	Plastic
Number of Pieces	250
Item Dimensions (L x W x H)	11.54 x 4.72 x 4.33 inches (29.3 x 12.0 x 11.0 cm approx. for assembled model)
Item Weight	0.2 Kilograms (approx. for kit components)
Recommended Age Range	16 years to 80 years (192 months to 960 months)
Included Components	Revell Germany Tiger II Ausf.B (Henschel Turret) plastic parts, decals
Additional Features	Height-adjustable cannon, rotating tower

WARRANTY INFORMATION

This product is sold without an explicit manufacturer's warranty. Please refer to the retailer's return policy for any issues with the kit upon receipt.

CUSTOMER SUPPORT

For further assistance or inquiries regarding Revell products, please visit the official Revell store or contact their customer service directly.

Revell Store: [Visit the Revell Store on Amazon](#)

