

US Stove GW1949

US Stove GW1949 Wiseway Non-Electric Pellet Stove User Manual

Model: GW1949

[Introduction](#) [Safety Information](#) [Setup](#) [Operating](#)
[Instructions](#) [Maintenance](#) [Troubleshooting](#) [Specifications](#) [Warranty & Support](#)

1. INTRODUCTION

This manual provides essential information for the safe and efficient operation, installation, and maintenance of your US Stove GW1949 Wiseway Non-Electric Pellet Stove. Please read all instructions carefully before use.

The US Stove Wiseway pellet stove operates without electricity, utilizing a natural gravity feed system. This design minimizes mechanical parts, reducing maintenance requirements. It is an EPA-certified and UL-listed non-electric pellet stove.





Figure 1: Front view of the US Stove GW1949 Wiseway Non-Electric Pellet Stove.

2. SAFETY INFORMATION

WARNING: Improper installation, adjustment, alteration, service, or maintenance can cause injury or property damage. Read the installation, operating, and maintenance instructions thoroughly before installing or servicing this equipment.

Proposition 65 Warning: This product can expose you to chemicals including carbon monoxide, which is known to the State of California to cause birth defects or other reproductive harm. For more information go to www.P65Warnings.ca.gov.

General Safety Precautions:

- Always ensure proper ventilation.
- Maintain required clearances to combustible materials.
- Use only approved pellet fuel.
- Never use gasoline, lantern fuel, kerosene, charcoal lighter fluid, or similar liquids to start or 'freshen up' a fire in this stove. Keep all such liquids well away from the stove when it is in use.
- Do not store fuel within the installation clearances or within the space required for charging and ash removal.
- Keep children and pets away from the hot surfaces of the stove.
- Install carbon monoxide detectors in your home.

3. SETUP AND INSTALLATION

The US Stove GW1949 Wiseway Pellet Stove requires assembly. Refer to the detailed assembly instructions provided with your product packaging for step-by-step guidance. Key steps include:

1. **Unpacking:** Carefully remove all components from the packaging. Inspect for any shipping damage.
2. **Placement:** Position the stove on a non-combustible surface, ensuring adequate clearance from walls and other combustible materials. The stove offers extremely small clearances on the rear and sides, making it easy to install.
3. **Ventilation System:** This stove uses standard 3-inch pellet venting. Ensure the venting is correctly installed and sealed according to local building codes and manufacturer guidelines.
4. **Pellet Hopper Assembly:** The pellet slide drops into the feed opening of the pellet hopper.
5. **Final Checks:** Before initial use, double-check all connections and ensure the stove is stable and level.





Figure 2: Side view illustrating the gravity feed system of the pellet stove.





Figure 3: Rear view of the pellet stove, highlighting the exhaust pipe connection.

4. OPERATING INSTRUCTIONS

The Wiseway stove is designed for easy starting and operation due to its non-electric, natural draft system.

Starting the Stove:

1. **Load Pellets:** Fill the 60-pound hopper with approved wood pellets. The hopper can last for up to 30 hours.
2. **Ignition:** Heat the burn chamber and flue to initiate pellet flow. A propane torch is recommended for this step.
3. **Natural Draft:** Once heated, the natural draft will take over, ramping the stove up to its operating temperature.

Adjusting Heat Output:

Adjustments to the heat output are made by opening and closing the fresh air intakes located on the front of the stove. The window allows you to observe the flame traveling up the body of the stove.



Figure 4: Air intake controls and flame viewing window.

Heat Distribution:

Since the stove uses no electricity, heat is radiated off the 3-1/2 inch tubing and the steel baffles on the back, providing efficient heating for areas up to 2,000 sq. ft.

Your browser does not support the video tag.

Video 1: Official product video demonstrating the US Stove GW1949 Wiseway Non-Electric Pellet Stove in operation.

5. MAINTENANCE

Regular maintenance is crucial for the longevity and efficient operation of your pellet stove. Always ensure the stove is completely cool before performing any maintenance.

Ash Removal:

- Periodically remove ash from the ash tray.
- Shake the burn tubes to dislodge any accumulated fly ash. Fly ash tends to clump, especially at the rear of the secondary burn plate and somewhat in the burn cage, which can restrict draft.
- Clean the stove with a shop vacuum designed for ash removal.

Cleaning the Burn Cage:

If the stove is not burning optimally, check the ash tray and then shake the burn tubes. If necessary, use a long object to remove the air cover on the front of the primary burn tube, sliding it through the spaces in the burn cage to dislodge buildup.

Your browser does not support the video tag.

Video 2: User-submitted video demonstrating the cleaning process for the pellet stove, including ash removal and accessing internal components.

General Cleaning:

- Wipe clean the exterior surfaces of the stove as needed.
- Regularly inspect the chimney and flue for creosote buildup and have it cleaned by a qualified professional.

6. TROUBLESHOOTING

This section addresses common issues you might encounter with your US Stove GW1949 Wiseway Pellet Stove.

Issue: Stove not heating efficiently or flame is weak.

- **Check for Ash Buildup:** Excessive ash in the burn chamber, ash tray, or around the burn tubes can restrict airflow and reduce efficiency. Refer to the "Maintenance" section for ash removal procedures.
- **Verify Air Intakes:** Ensure the fresh air intakes on the front of the stove are open to the desired setting.
- **Inspect Pellets:** Ensure you are using dry, high-quality wood pellets. Moisture or poor-quality pellets can affect combustion.
- **Chimney Draft:** A poor chimney draft can lead to inefficient burning. Check for obstructions in the flue or chimney.

Issue: Smoke entering the room.

- **Blocked Flue/Chimney:** This is a serious safety concern. Immediately check for blockages in the flue pipe or chimney.
- **Insufficient Draft:** Ensure the stove has established a strong natural draft. Pre-heating the flue with a torch during startup can help.
- **Improper Sealing:** Check all connections in the venting system for proper sealing.

Issue: Pellets not feeding correctly.

- **Hopper Level:** Ensure the pellet hopper has sufficient pellets.
- **Pellet Quality:** Poor quality or oversized pellets can cause feeding issues.
- **Obstruction:** Check the pellet slide and feed mechanism for any obstructions.

If you encounter persistent issues, contact US Stove customer support for assistance.

7. SPECIFICATIONS

Brand	US Stove
Model Number	GW1949
Material	Alloy Steel
Color	Black
Product Dimensions (D x W x H)	24"D x 15"W x 52"H
Item Weight	131 Pounds
Assembly Required	Yes
Heat Output	40,000 British Thermal Units
Heating Area	Up to 2,000 sq. Ft.
Ventilation Type	Vented (Standard 3-inch pellet venting)
Fuel Type	Wood Pellets
Hopper Capacity	60 Pounds (up to 30 hours burn time)
Efficiency	High Efficiency, EPA-certified
Mounting Type	Freestanding
Manufacturer	United States Stove Company
UPC	012685019499

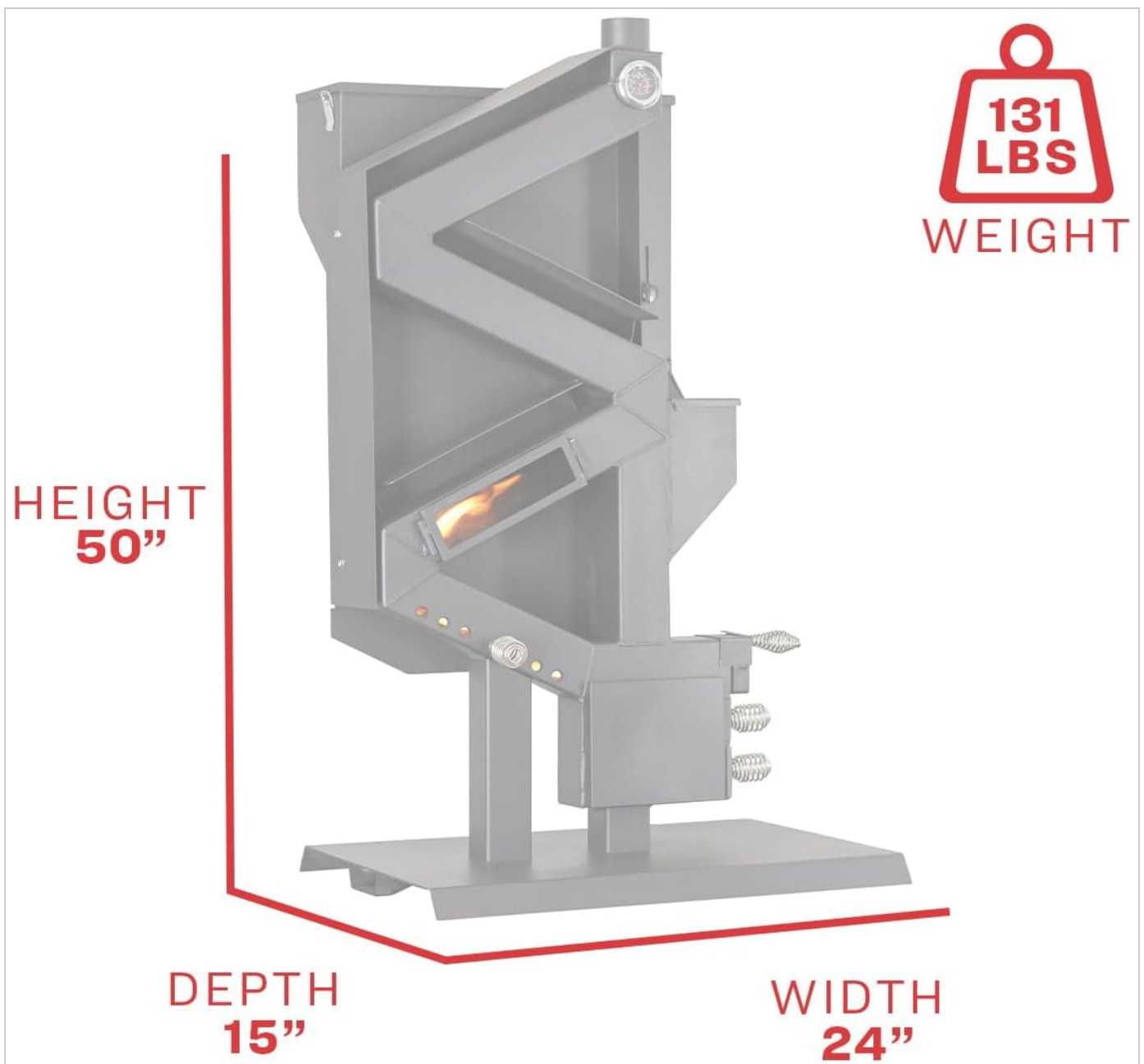


Figure 5: Product dimensions for installation planning.

8. WARRANTY & SUPPORT

Warranty Information:

The US Stove GW1949 Wiseway Non-Electric Pellet Stove comes with a warranty:

- **Firebox:** 3 years
- **Cabinet:** 1 year

Please retain your proof of purchase for warranty claims. For full warranty terms and conditions, refer to the documentation included with your product or contact customer support.

Customer Support:

For technical assistance, troubleshooting, or parts inquiries, please contact United States Stove Company customer support. Contact information can typically be found on the manufacturer's website or in the product packaging. Online resources and additional support may be available through the [US Stove Store on Amazon](#).



© 2026 US Stove Company. All rights reserved.