

[Manuals.plus](#) /

> [SEAFLO](#) /

> SEAFLO 01 Series 1100 GPH Bilge Pump Instruction Manual

## SEAFLO SFBP1-G1100-01

# SEAFLO 01 Series 1100 GPH Bilge Pump Instruction Manual

Model: SFBP1-G1100-01 | Brand: SEAFLO

## 1. INTRODUCTION

Thank you for choosing the SEAFLO 01 Series 1100 GPH Bilge Pump. This 12V marine submersible pump is engineered for efficient and reliable water evacuation from marine vessels. It features anti-airlock protection and is designed for durability in marine environments. Please read this manual thoroughly before installation and operation to ensure proper use and longevity of your pump.



Image 1.1: The SEAFLO 01 Series 1100 GPH Bilge Pump, a compact and robust unit designed for marine use.

## 2. SAFETY INFORMATION

Always observe the following safety precautions to prevent injury or damage to the pump and vessel:

- Ensure the power supply is disconnected before installing, inspecting, or performing maintenance on the pump.
- This pump is designed for pumping water only. Do not use it for flammable liquids, chemicals, or other hazardous materials.
- Verify that the voltage of the power supply matches the pump's voltage rating (12V DC).
- Install an appropriate fuse (5A recommended for 12V) in the positive lead to protect the pump and wiring.
- All electrical connections must be waterproof and sealed to prevent corrosion and short circuits.
- Mount the pump securely to prevent movement during operation.

## 3. PRODUCT FEATURES

The SEAFLO 01 Series 1100 GPH Bilge Pump incorporates several features for optimal performance and reliability:

- **Powerful 1100 GPH Water Flow:** Provides rapid water evacuation from marine vessels.
- **Anti-Airlock Technology:** Built-in protection prevents airlocks, ensuring continuous and reliable water evacuation.
- **Fully Submersible:** Designed for complete submersion in water.
- **Robust and Quiet Motor:** Features a long-life motor for durable and quiet operation.
- **High-Quality Impeller:** Optimized impeller design for superior efficiency and clog prevention.
- **Snap-Off Removable Strainer Base:** Allows for easy cleaning and maintenance.
- **Marine-Grade Wiring:** 3 ft (1 m) 18 AWG marine-grade wire leads for secure electrical connections.



Image 3.1: Close-up view of the high-quality impeller, designed for efficient water movement.

|                     |                       |
|---------------------|-----------------------|
| <b>Model Number</b> | <b>SFBP1-G1100-01</b> |
| <b>Voltage</b>      | <b>12V DC</b>         |
| <b>Flow Rate</b>    | <b>1100 GPH</b>       |
| <b>Current</b>      | <b>3.0 A</b>          |
| <b>Head</b>         | <b>14.8' (4.5 m)</b>  |
| <b>Max Draw</b>     | <b>6.0 A</b>          |
| <b>Outlet Size:</b> | <b>1-1/8"</b>         |
| <b>Wire Lead</b>    | <b>1m /3.0'</b>       |

Image 3.2: Illustration of the robust and quiet motor assembly within the pump housing.

## 4. SPECIFICATIONS

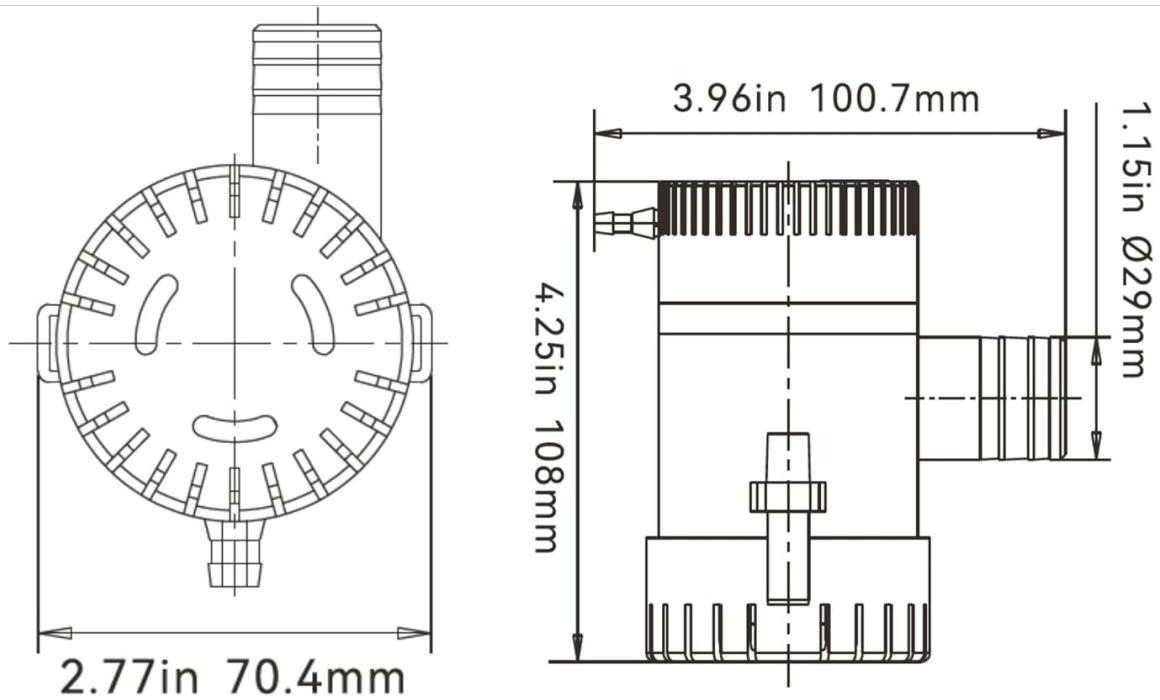
Detailed technical specifications for the SEAFLO 01 Series 1100 GPH Bilge Pump:

| Specification   | Value                |
|-----------------|----------------------|
| Model Number    | SFBP1-G1100-01       |
| Voltage         | 12V DC               |
| Flow Rate       | 1100 GPH (18.33 GPM) |
| Outlet Diameter | 1-1/8" (29 mm)       |

| Specification                  | Value                                  |
|--------------------------------|--|
| Max Head                       | 14.8 ft (4.5 m)                        |
| Current Draw                   | 3.0A                                   |
| Max Draw                       | 6.0A                                   |
| Wire Lead Length               | 3 ft (1 m)                             |
| Material                       | Stainless Steel (shaft), ABS (housing) |
| Product Dimensions (L x W x H) | 3.96" x 2.77" x 4.25"                  |
| Item Weight                    | 12.32 ounces                           |



Image 4.1: Visual representation of the pump's 1-1/8 inch outlet and maximum head capacity.



|                     |                          |
|---------------------|--------------------------|
| <b>Model Number</b> | <b>SFBP1-G1100-01</b>    |
| <b>Voltage</b>      | <b>12V DC</b>            |
| <b>Flow Rate</b>    | <b>1100 GPH</b>          |
| <b>Current</b>      | <b>3.0 A</b>             |
| <b>Max Draw</b>     | <b>6.0 A</b>             |
| <b>Outlet Size:</b> | <b>1-1/8"</b>            |
| <b>Wire Lead</b>    | <b>1m /3.0' - 18 AWG</b> |

Image 4.2: Diagram showing the pump's physical dimensions and key specifications.

## 5. SETUP AND INSTALLATION

Proper installation is crucial for the pump's performance and safety. Follow these steps:

- Mounting:** Select a suitable location in the lowest part of the bilge where water collects. Secure the pump firmly to a flat surface using appropriate fasteners. The removable strainer base allows for easy mounting and detachment of the motor cartridge.
- Hose Connection:** Connect a 1-1/8" (29 mm) ID hose to the pump's outlet. Ensure the hose is routed upwards to a through-hull fitting above the waterline, with a continuous upward slope to prevent airlocks. Use marine-grade hose clamps to secure the connection.
- Wiring:** This is a manual bilge pump and requires an external switch or float switch for operation. Connect the pump's positive (brown) wire to the positive terminal of your 12V DC power source via a 5A fuse and a control switch (manual or automatic float switch). Connect the negative (black) wire to the negative terminal of your power source. Ensure all connections are watertight using marine-grade connectors and heat shrink tubing.

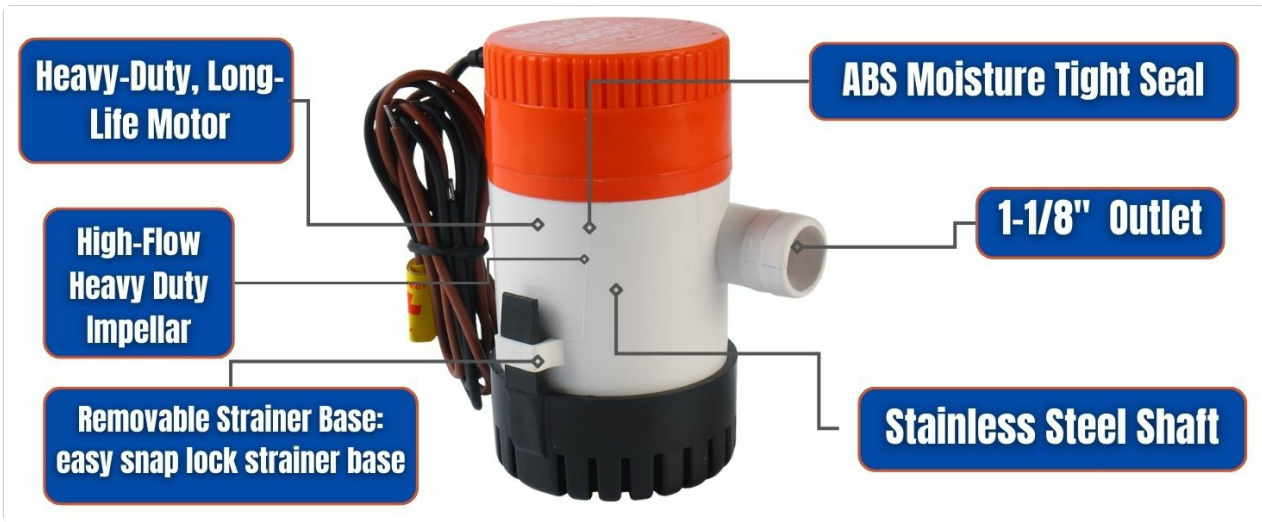


Image 5.1: The non-automatic bilge pump, compatible with external manual or float switches for operation.



Image 5.2: Illustration of the pump's wiring leads for connection to a 12V DC power source and switch.

## 6. OPERATING INSTRUCTIONS

The SEAFLO 01 Series 1100 GPH Bilge Pump is a manual pump, meaning it requires an external switch to activate. It does not have an integrated float switch.

- **Manual Operation:** To operate the pump manually, activate the connected manual switch. The pump will run as long as the switch is engaged.
- **Automatic Operation (with external float switch):** If an external float switch is installed, the pump will activate automatically when the water level rises and lifts the float switch. It will turn off once the water level drops below the switch's activation point.
- **Testing:** Periodically test the pump by introducing water into the bilge or by manually activating the switch to ensure it operates correctly.

Your browser does not support the video tag.

Video 6.1: Official SEAFLO video demonstrating the 1100 GPH bilge pump in operation, showing its powerful water flow.



Image 6.2: The bilge pump actively discharging water, illustrating its high flow rate.

## 7. MAINTENANCE

Regular maintenance ensures optimal performance and extends the life of your bilge pump:

- **Strainer Cleaning:** Periodically inspect and clean the strainer base to remove debris such as leaves, hair, or other foreign objects that can impede pump operation. The snap-off design allows for easy removal and cleaning.
- **Impeller Inspection:** After removing the strainer, inspect the impeller for any damage or blockages. Ensure it spins freely.
- **Electrical Connections:** Check all electrical connections for corrosion or loose wiring. Clean and re-seal as necessary to maintain watertight integrity.
- **Hose Inspection:** Ensure the discharge hose is free of kinks, blockages, or leaks.

## Non-Automatic Bilge Pump



**COMPATIBLE WITH SWITCH OR FLOAT SWITCH**

Image 7.1: The pump with its snap-off strainer base detached, demonstrating ease of access for cleaning.



# Snap-Off Removable Strainer-Base

Super Easy Maintenance!



Image 7.2: The removable strainer base and the main pump body, highlighting the design for easy maintenance.

## 8. TROUBLESHOOTING

If your SEAFLO bilge pump is not operating as expected, refer to the following common issues and solutions:

| Problem                                    | Possible Cause  | Solution  |
|--|---|---|
| Pump does not run                          | No power, blown fuse, loose wiring, faulty switch.                      | Check power supply, replace fuse, inspect and secure wiring, test switch.   |
| Pump runs but no water is discharged       | Clogged strainer/impeller, airlock, collapsed hose, pump not submerged. | Clean strainer/impeller, clear airlock by tilting pump or cycling power, check hose for obstructions, ensure pump is fully submerged. |
| Low flow rate                              | Partially clogged strainer/impeller, low voltage, excessive head.       | Clean strainer/impeller, check battery voltage, ensure discharge hose is clear and routing is optimal.                                |
| Pump runs continuously (with float switch) | Stuck float switch, faulty float switch, wiring error.                  | Inspect float switch for obstructions, test float switch, verify wiring connections.  |

## 9. WARRANTY AND SUPPORT

The SEAFLO 01 Series 1100 GPH Bilge Pump is backed by a **4-Year Limited Warranty**. This warranty covers defects in materials and workmanship under normal use and service. For warranty claims or technical support, please contact SEAFLO customer service through the retailer where the product was purchased or visit the official SEAFLO website for contact information.

Please retain your proof of purchase for warranty validation.