

Hunter 59259

Hunter Cranbrook 52-inch Indoor Ceiling Fan with LED Light and Remote Control Instruction Manual

Model: 59259

1. PRODUCT OVERVIEW

The Hunter Cranbrook 52-inch Indoor Ceiling Fan is designed to provide efficient air circulation and lighting for various indoor spaces. This modern low-profile fan features a sleek design, energy-efficient LED lighting, and convenient remote control operation.

Key Features:

- **Low Profile Design:** Ideal for rooms with ceilings less than 9 feet in height.
- **Integrated LED Light:** Includes one energy-efficient LED bulb for bright, dimmable lighting.
- **Remote Control:** Easily adjust fan speed and light settings from anywhere in the room.
- **WhisperWind Motor:** Provides powerful airflow with quiet operation.
- **Reversible Blades:** Features 4 reversible blades with different finishes (Blonde Oak and Mid Century Walnut) to match your decor.
- **Year-Round Comfort:** Reversible motor function allows for downdraft in summer and updraft in winter to optimize air circulation.



Image: Hunter Cranbrook Ceiling Fan featuring the WhisperWind Motor, illustrating adjustable speeds for sleeping (low), relaxing (medium), and activities (high).

2. WHAT'S INCLUDED

Your Hunter Cranbrook Ceiling Fan package includes the following components:

- 1 x Ceiling Fan Unit
- 4 x Reversible Blades
- 1 x LED Integrated Light Kit
- 1 x Handheld Remote Control
- Installation Hardware

Hunter

52
INCHES

CRANBROOK

LED Bulb



4 Reversible
Blades



Handheld
Remote



Included In The Box

Image: Diagram showing the included components: 52-inch fan, LED bulb, 4 reversible blades, and handheld remote.

Hunter.

**REMOTE
INCLUDED**



Light dimming



Change speed



Battery included



Image: Close-up of the white handheld remote control for the Hunter Cranbrook fan, showing buttons for light dimming, speed change, and indicating battery inclusion.

3. SETUP AND INSTALLATION

Installation of the Hunter Cranbrook ceiling fan is designed to be straightforward. For detailed step-by-step instructions, please refer to the comprehensive installation guide provided in the product packaging.

Important Considerations:

- Ensure power is turned off at the circuit breaker before beginning installation.
- This fan is suitable for indoor use only.
- The low-profile design is ideal for rooms with ceilings less than 9 feet in height.
- The blades are reversible, allowing you to choose between Blonde Oak and Mid Century Walnut finishes

to best suit your room's aesthetic.

Hunter

REVERSIBLE
BLADES

CRANBROOK



BLADE FINISH 1

BLONDE OAK



BLADE FINISH 2

MID CENTURY WALNUT

Which finish will you choose? This two sided blade is perfect when trying to match it with your room style.

Image: Two views of the Hunter Cranbrook fan, highlighting the reversible blades with Blonde Oak and Mid Century Walnut finishes, offering versatile style options.

4. OPERATING INSTRUCTIONS

The Hunter Cranbrook ceiling fan is operated using the included handheld remote control. This remote allows you to manage both the fan speed and the integrated LED light.

Remote Control Functions:

- **Fan Speed:** Select from 3 different speeds (1, 2, 3) to adjust airflow.
- **Light Control:** Turn the LED light on/off and dim it to your desired brightness.
- **Reversible Motor:** Utilize the reverse function for seasonal comfort.

Seasonal Operation:

To optimize comfort and energy efficiency, adjust the fan's direction based on the season:

- **Summer Mode:** Set blades to spin counter-clockwise to create a downdraft, providing a cooling effect.

- **Winter Mode:** Set blades to spin on low speed in a clockwise direction to create an updraft, circulating warm air evenly throughout the room.



Image: Diagram illustrating the reversible multi-speed motor function, showing counter-clockwise rotation for summer downdraft and clockwise rotation for winter updraft.

Your browser does not support the video tag.

Video: Official Hunter Fan video showcasing the Cranbrook Indoor Low Profile Ceiling Fan, demonstrating its features and design.

5. MAINTENANCE

Regular maintenance ensures optimal performance and longevity of your Hunter Cranbrook ceiling fan.

- **Cleaning:** Periodically wipe down the fan blades and motor housing with a soft, damp cloth. Avoid using abrasive cleaners that may damage the finish.
- **Blade Screws:** Check all blade screws for tightness at least twice a year. Loose screws can cause wobbling and noise.
- **Light Kit:** Ensure the LED bulb is securely tightened. Replace the LED bulb only with a compatible energy-efficient LED bulb if needed.

6. TROUBLESHOOTING

If you encounter any issues with your Hunter Cranbrook ceiling fan, please refer to the following general troubleshooting tips. For more complex problems, contact Hunter customer support.

- **Fan Does Not Start:** Check power supply, ensure remote control batteries are functional, and verify all wiring connections are secure.
- **Fan Wobbles:** Ensure all blade screws are tightened. Check that the mounting bracket is securely fastened to the ceiling.
- **Light Does Not Work:** Verify the LED bulb is correctly installed and not loose. Check power supply and remote control functionality.

7. SPECIFICATIONS

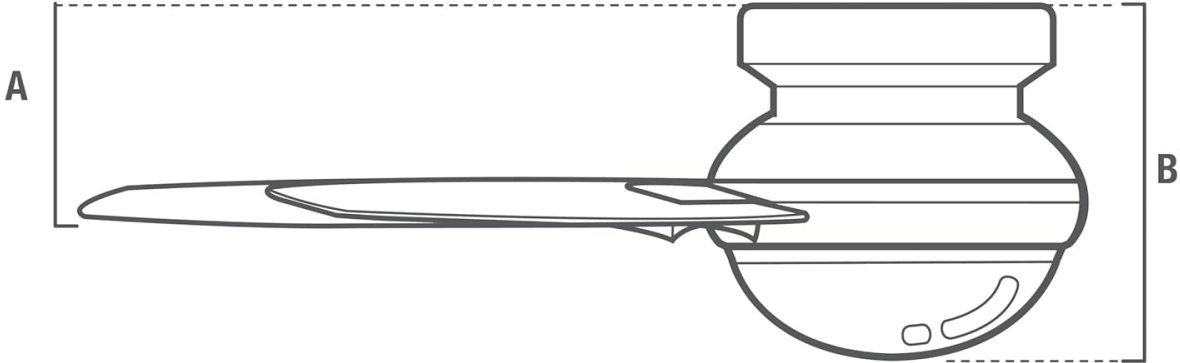
Attribute	Detail
Brand	Hunter
Model Name	Cranbrook Indoor Low Profile Ceiling Fan
Model Number	59259
Product Dimensions	52"D x 52"W x 52"H
Item Weight	22 Pounds
Color	Gloss Black finish
Number of Blades	4
Blade Material	Engineered Wood
Light Type	LED
Controller Type	Remote Control
Number of Speeds	3
Voltage	120 Volts
Wattage	61.1 watts
Indoor Outdoor Usage	Indoor
Mounting Type	Flush Mount
UPC	049694592590

Hunter
52
INCHES

LARGE ROOM

59259

Fan Design May Vary



Low Profile:

A: 8.43

B: 15.65

Fan Dimensions

Image: Diagram showing the low profile dimensions of the Hunter Cranbrook 52-inch fan: A: 8.43 inches, B: 15.65 inches.

8. WARRANTY AND SUPPORT

Hunter stands by the quality of its products. The Hunter Cranbrook 52-inch Indoor Ceiling Fan comes with a **Lifetime Warranty** on the motor.

For further assistance, troubleshooting, or to explore other Hunter products, please visit the official Hunter Store:

[Visit the Hunter Store](#)