

Manuals+

[Q & A](#) | [Deep Search](#) | [Upload](#)

manuals.plus /

› [Alcaplast](#) /

› [Alcaplast APV4444 Chrome Floor Drain User Manual](#)

Alcaplast APV4444

Alcaplast APV4444 Chrome Floor Drain User Manual

Model: APV4444 | Brand: Alcaplast

1. INTRODUCTION

This user manual provides comprehensive instructions for the installation, operation, and maintenance of the Alcaplast APV4444 Chrome Floor Drain. Please read this manual thoroughly before installation and use to ensure proper function and longevity of the product.

The Alcaplast APV4444 is a high-quality floor drain designed for efficient water drainage in various applications, featuring a durable stainless steel grille and an integrated odor trap.

Key Features:

- Floor drain with design grille made of stainless steel.
- Integrated odor trap for preventing unpleasant smells.
- Vertical outlet for efficient drainage.
- Removable components for easy cleaning and maintenance.

2. PRODUCT OVERVIEW

The Alcaplast APV4444 Chrome Floor Drain consists of several key components designed for optimal performance and ease of maintenance.



Figure 2.1: Exploded view showing the main components of the Alcaplast APV4444 floor drain, including the stainless steel grille, frame, and main body with the vertical outlet.

Components:

- **Stainless Steel Grille:** The top cover, designed for aesthetic appeal and efficient water flow, made from durable stainless steel.
- **Frame:** Supports the grille and provides a secure fit within the floor.
- **Odor Trap:** An internal mechanism that uses a water seal to prevent sewer gases from entering the living space.
- **Drain Body:** The main housing of the drain, connecting to the plumbing system with a vertical outlet.

3. INSTALLATION INSTRUCTIONS

Proper installation is crucial for the effective and long-term performance of the Alcaplast APV4444 floor drain. It is recommended that installation be performed by a qualified professional.

APV4444

BODENABLAUF 150×150/50/75 MIT SENKRECHTEM ABGANG, ROST: ROSTFREIER STAHL, ROSTFREIER STAHL-DICHTUNGSLANSCH UND MÄNSCHETTE – 2. ABDICHTUNG, GERUCHSVERSCHLUSS MIT SPERRWASSER UND KLASPE

Anwendung:

- Für innere Räume, wo eine häufige Verwendung vorausgesetzt wird, die mit einem regelmäßigen Ablauf des Wassers verbunden ist (Badezimmer) – Wasser-Geruchsverschluss
- Für Außenräume, wo eine Senkung der Temperaturen unter den Gefrierpunkt möglich ist – Trockener Geruchsverschluss
- Für Entwässerung in der Fußbodenebene
- Für barrierefreien Zugang

Eigenschaften:

- Gitter – Edelstahl 143×143×5 mm
- Höhenverstellbarer Stutzen 37 – 110 mm
- Breiter Isolationskragen für Anbindung an Wasserdämmung des Baus
- Kragen der 2. Isolationsstufe zur Anbindung der Isolationschicht unter dem Fußbodenbelag
- Rostfreier Kragen für feste Befestigung der Bahn oder des Gewebes für Wasserdämmung des Baus
- Direkter Anschluss an Ablauf Ø75/50 mm
- Siphon ermöglicht die perfekte Reinhaltung, bis zum Abflussrohr
- Optionale Verwendung des trockenen oder Wasser-Geruchsverschlusses
- Die Geruchsverschlüsse verhindern ein Durchdringen von Gerüchen aus der Kanalisation
- Kompatibilität mit den Teilen von Duschrinnen einschließlich des Wasser-, trockenen und kombinierten Geruchsverschlusses SMART
- Material: Polypropylen, gegen mechanische, chemische und thermische Beschädigung beständig

Normen:

CSN EN 1253

Technische Parameter:

Durchfluss mit Einlaufgitter (Wasser-Geruchsverschluss)	46 l/min
Durchfluss mit Einlaufgitter (Trockener Geruchsverschluss)	62 l/min
Geruchsverschluss mit Sperrwasser	51 mm
Geruchsverschluss-Beständigkeit gegen Gegendruck	480 Pa
Belastungskategorie K3	300 kg

Verpackungsinhalt:

- Bodenablaufkörper senkrecht Ø50/75 mm
- Bodenablauf Aufsatz 150×150 mm
- Gitter – Edelstahl
- Geruchsverschluss mit Sperrwasser
- Trockener Geruchsverschluss
- Dichtungsfansch aus Edelstahl + Montagesatz
- Kragen der 2. Isolationsstufe innen Ø105 mm
- Dichtungssatz

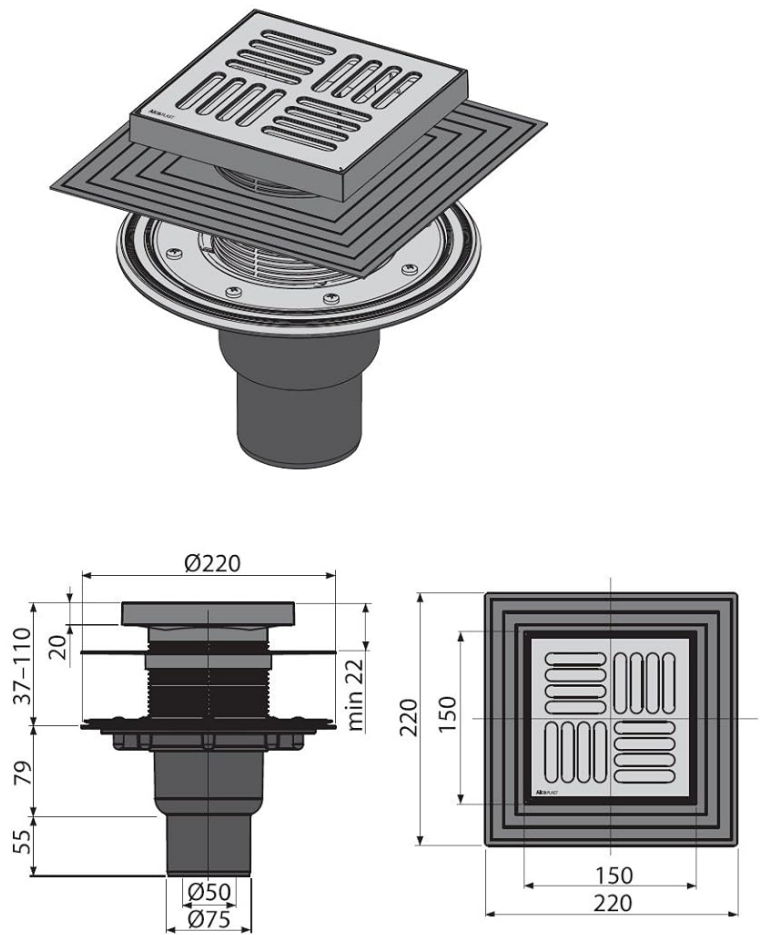


Figure 3.1: Detailed technical drawing illustrating the dimensions and recommended installation method for the Alcaplast APV4444 floor drain, including connections and sealing layers.

Installation Steps:

1. **Prepare the Installation Area:** Ensure the floor opening is appropriately sized for the drain body (refer to Figure 3.1 for dimensions). The area must be clean and level.
2. **Connect to Drainage System:** Connect the vertical outlet (DN50) of the drain body to the existing or new drainage pipe. Ensure a secure and watertight connection.
3. **Position the Drain Body:** Place the drain body into the prepared opening. Adjust its height to be flush with the finished floor level, accounting for the thickness of the waterproofing layer and tiling.
4. **Apply Waterproofing:** Apply a suitable waterproofing membrane around the drain body flange, ensuring it integrates seamlessly with the floor's waterproofing system to prevent leaks. The flange is designed to facilitate this connection.
5. **Install the Frame:** Once the waterproofing is complete and cured, place the drain frame into position.
6. **Install the Odor Trap:** Insert the odor trap component into the drain body. Ensure it is seated correctly to form a proper water seal.
7. **Place the Grille:** Finally, place the stainless steel grille into the frame. It should sit flush and securely.
8. **Test for Leaks:** After installation, perform a water test to check for any leaks and ensure proper drainage.

Note: Always consult local building codes and plumbing regulations for specific requirements regarding floor drain installation.

4. OPERATION

The Alcaplast APV4444 floor drain operates passively, allowing water to flow through its grille and into the drainage system. The integrated odor trap maintains a water seal to prevent sewer gases from entering the room.

Ensure that the odor trap always contains water. If the drain is not used for extended periods, the water in the trap may evaporate, potentially allowing odors to escape. Periodically pour a small amount of water into the drain to replenish the water seal.

5. MAINTENANCE

Regular maintenance ensures the optimal performance and longevity of your Alcaplast APV4444 floor drain. The removable components facilitate easy cleaning.

Cleaning Instructions:

- 1. Remove the Grille:** Carefully lift the stainless steel grille from the drain frame.
- 2. Remove the Odor Trap:** Gently pull out the odor trap component.
- 3. Clean Components:** Wash the grille and odor trap with warm soapy water. Remove any hair, debris, or soap scum that may have accumulated. A soft brush can be used for stubborn residue.
- 4. Clean Drain Body:** Inspect the inside of the drain body for any blockages. If necessary, use a drain snake or a suitable cleaning solution to clear any obstructions.
- 5. Rinse and Reassemble:** Rinse all components thoroughly with clean water. Reinsert the odor trap, ensuring it is properly seated, then place the grille back into the frame.

Frequency: It is recommended to clean the drain every 1-3 months, or more frequently in high-use areas, to prevent clogs and maintain hygiene.

6. TROUBLESHOOTING

This section addresses common issues you might encounter with your floor drain.

Problem	Possible Cause	Solution
Slow Drainage	Accumulation of hair, soap scum, or debris in the drain or trap.	Perform a thorough cleaning of the grille, odor trap, and drain body as described in the Maintenance section. If the issue persists, the blockage may be further down the plumbing system, requiring professional assistance.
Unpleasant Odors	Dry odor trap (water seal evaporated). Accumulation of organic matter in the drain.	Pour water into the drain to replenish the water seal in the odor trap. Clean the drain thoroughly to remove any odor-causing debris.
Water Leaking Around Drain	Improper waterproofing during installation. Damage to the drain body or seals.	This is a serious issue. Immediately stop using the area and contact a qualified plumber to inspect the installation and waterproofing.

7. SPECIFICATIONS

Detailed technical specifications for the Alcaplast APV4444 Chrome Floor Drain.

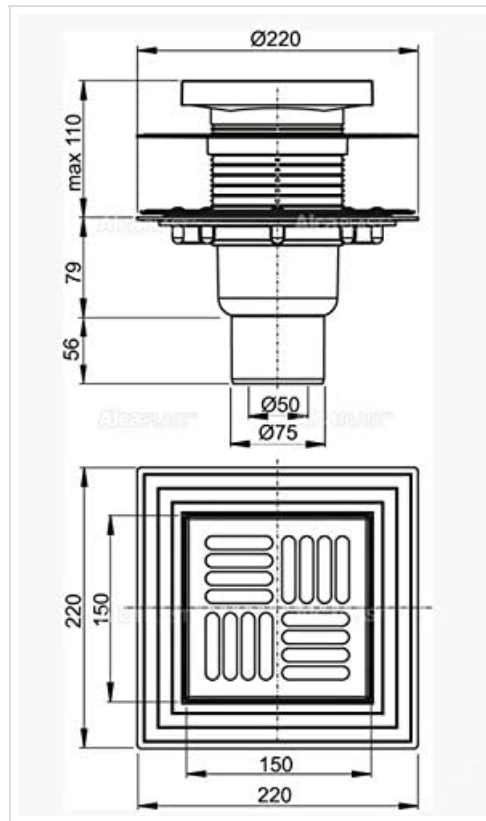


Figure 7.1: Dimensional drawing showing the key measurements of the Alcaplast APV4444 floor drain.

Attribute	Value
Manufacturer	Alcaplast
Part Number	APV4444
Item Weight	1.22 Kilograms
Product Dimensions	19.2 x 22.8 x 23.3 cm
Item Model Number	APV4444
Color	Chrome
Style	Modern
Finish	Polished
Material	Stainless Steel
Item Package Quantity	1
Special Features	Removable
Included Components	Floor drain
Drain Outlet Diameter	DN50 (50mm)
Grille Dimensions	105 x 105 mm (approximate, based on product description)

8. WARRANTY AND SUPPORT

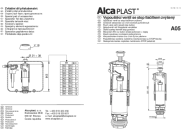


Alcaplast products are manufactured to high standards of quality and durability. For specific warranty information, please refer to the documentation provided with your purchase or visit the official Alcaplast website.

For technical support, spare parts, or any inquiries regarding your Alcaplast APV4444 Chrome Floor Drain, please contact your retailer or the Alcaplast customer service department.

Please retain your proof of purchase for warranty claims.

© 2024 Alcaplast. All rights reserved.
This manual is subject to change without prior notice.

Related Documents - APV4444

	<p>AlcaPLAST A402: Sifon umyvadlový ø32 DESIGN celokovový - Návod k instalaci Návod k instalaci sifonu AlcaPLAST A402. Podrobné pokyny pro montáž celokovového umyvadlového sifonu ø32 DESIGN, masivní provedení. Informace v češtině, angličtině a dalších jazycích.</p>
	<p>AlcaPLAST A05 Flush Valve with Raised Stop Button - Installation and Parts Guide Detailed information and installation guide for the AlcaPLAST A05 flush valve, featuring a raised stop button. Includes part identification, dimensions, and adjustment instructions.</p>
	<p>Canale de Scurgere Alca 2020: Design și Funcționalitate pentru Băi Moderne Descoperiți colecția Alca 2020 de canale de scurgere pentru du, cu design inovator, funcționalitate superioară și materiale durabile pentru estetica băilor moderne. Găsiți o gamă larg de soluții pentru fiecare necesitate.</p>
	<p>Alca Pre-Wall Installation Systems and Flush Plates Catalog Discover Alca's innovative pre-wall installation systems and stylish flush plates. This catalog showcases a wide range of bathroom solutions, emphasizing design, functionality, water-saving technologies (ECOLOGY), and user comfort. Explore options for modern bathrooms, including ventilation and accessibility features.</p>