

MAD OWL 7R lamp

MAD OWL Beam 230 7R 230W Projector Lamp Instruction Manual

Model: 7R lamp | Brand: MAD OWL

1. INTRODUCTION

This manual provides essential information for the safe and effective use of your MAD OWL Beam 230 7R 230W Projector Lamp. This high-performance lamp is designed for professional stage lighting applications, offering exceptional brightness and a long operational life. Please read these instructions carefully before installation and operation to ensure optimal performance and safety.



Image 1.1: The MAD OWL Beam 230 7R 230W Projector Lamp, showcasing its clear glass bulb and light green base.

2. PRODUCT FEATURES

The MAD OWL Beam 230 7R 230W Projector Lamp is engineered for superior performance in demanding environments. Key features include:

- **Platinum 7R 230:** Utilizes advanced Platinum 7R technology for intense light output.
- **Versatile Compatibility:** Specifically designed for use with 7R moving beam lights, 7R sharpie lights, 7R scanners, and 7R following spots.
- **Extended Lifetime:** Offers an average bulb lifetime of 2000 hours under normal operating conditions.
- **Robust Construction:** Designed to be safe and resistant to breakage.
- **Exceptional Brightness:** Delivers extremely bright illumination for professional stage effects.

- High reflectance lamp cup
- Multilayer coating technology
- High temperature and fire resistant materials



USED FOR



Image 2.1: Illustration showing various stage lighting fixtures and projectors that utilize the 7R lamp, including moving head lights, follow spots, and traditional projectors.



Image 2.2: A dual view of the 7R lamp, showing its top-down perspective and an angled side view, highlighting its tubular shape and reflective interior.

3. SAFETY INFORMATION

Always observe the following safety precautions when handling or installing the lamp:

- **Power Disconnection:** Always disconnect power to the fixture and allow it to cool completely before attempting to install or replace the lamp.
- **Handle with Care:** Avoid touching the glass part of the lamp directly with bare hands. Oils from your skin can create hot spots and reduce lamp life. Use a clean cloth or gloves.
- **Eye Protection:** Never look directly into the lamp when it is operating, as the intense light can cause eye damage.
- **Proper Disposal:** Dispose of old lamps according to local regulations, as they may contain mercury or other hazardous materials.
- **Ventilation:** Ensure the fixture has adequate ventilation to prevent overheating, which can shorten lamp life and pose a fire hazard.

4. INSTALLATION AND SETUP

Follow these general steps for replacing or installing your 7R projector lamp. Refer to your specific lighting fixture's manual for detailed instructions.

1. **Unpack the Lamp:** Carefully remove the new lamp from its packaging. Inspect it for any visible damage.



Image 4.1: The 7R lamp securely packaged in a cardboard box with foam inserts, ensuring protection during transit.

2. **Access the Lamp Compartment:** Open the lamp compartment of your lighting fixture. This usually involves unscrewing a cover or opening a latch.
3. **Remove Old Lamp (if applicable):** If replacing an old lamp, carefully disconnect its wiring and remove it from the socket. Allow it to cool if it was recently in use.
4. **Insert New Lamp:** Align the new lamp with the socket and gently push it into place. Ensure the connectors on the lamp base are properly seated.



Image 4.2: A hand gently holding the 7R lamp, illustrating its compact size and the metal contacts at its base for connection.



Image 4.3: A detailed view of the 7R lamp's base, showing the light green housing and the two metal electrical contacts.

5. **Secure Wiring:** Reconnect any wiring that was detached. Ensure all connections are secure.
6. **Close Compartment:** Close and secure the lamp compartment cover.
7. **Test:** Reconnect power to the fixture and test the lamp's operation.

5. OPERATION

Once installed, the 7R lamp operates as part of your lighting fixture. Observe the following operational guidelines:

- **Warm-up Time:** Allow the lamp a brief warm-up period after ignition to reach full brightness and stable color temperature.
- **Cool-down Time:** After turning off the fixture, allow sufficient time for the lamp to cool down before moving or handling the fixture. Rapid cooling or immediate re-ignition can reduce lamp life.
- **Avoid Frequent On/Off Cycles:** Excessive switching on and off can significantly shorten the lamp's lifespan.

6. MAINTENANCE

Proper maintenance can help extend the life of your 7R lamp and ensure consistent performance:

- **Cleanliness:** Periodically clean the lamp and the fixture's optical components (reflectors, lenses) with a soft, lint-free cloth and a suitable optical cleaner. Ensure the fixture is off and cool before cleaning.
- **Ventilation Check:** Regularly inspect the fixture's cooling fans and vents to ensure they are free from dust and debris, allowing for proper airflow.
- **Environmental Conditions:** Operate the lamp within the recommended temperature and humidity ranges specified by your lighting fixture's manufacturer.

7. TROUBLESHOOTING

If you encounter issues with your 7R lamp, consider the following common problems and solutions:

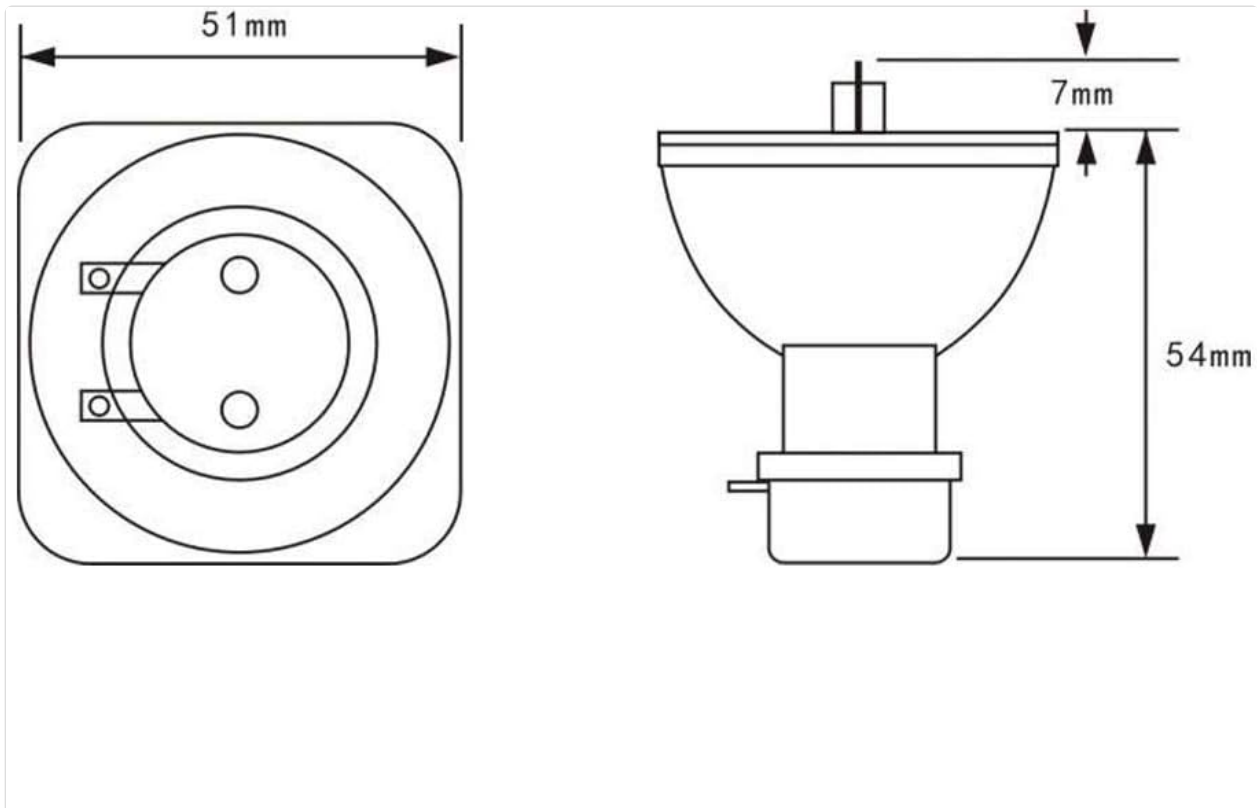
- **Lamp Not Igniting:**
 - Check if the lamp is properly seated in its socket.
 - Verify all electrical connections are secure.
 - Ensure the fixture is receiving power.
 - Consult your fixture's manual for specific ignition sequence or ballast issues.
- **Lamp Dim or Flickering:**
 - This may indicate the lamp is nearing the end of its life.
 - Check for proper ventilation; overheating can affect performance.
 - Ensure the fixture's power supply is stable.
- **Short Lamp Lifespan:**
 - Frequent on/off cycling can drastically reduce lamp life.
 - Inadequate cooling or excessive operating temperatures.
 - Power fluctuations or improper voltage.
 - Ensure the lamp is compatible with your fixture's ballast.

8. SPECIFICATIONS

Detailed technical specifications for the MAD OWL Beam 230 7R 230W Projector Lamp:

Specification	Value
Model Number	7R lamp
Brand	MAD OWL
Wattage	230 Watts
Average Life	2000 Hours
Material	Platinum

Specification	Value
Shape	Tubular (T)
Item Weight	3.17 ounces
Package Dimensions	3.46 x 3.27 x 3.23 inches
UPC	602258012837



Model	Power	Wick Length	High	Life	Color Temperatu	Luminous Flux
200W 5R	200W	51 mm	61 mm	2000 hour	8000k	10000 lm
230W 7R	230W	51 mm	61 mm	2000 hour	8000k	11200 lm

Image 8.1: A technical diagram illustrating the dimensions of the 7R lamp, including its wick length, height, and overall measurements in millimeters.

9. WARRANTY AND SUPPORT

For specific warranty information regarding your MAD OWL Beam 230 7R 230W Projector Lamp, please refer to the purchase documentation or contact the seller directly. Keep your proof of purchase for any warranty claims.

For technical support or further inquiries, please reach out to the manufacturer or authorized distributor. Contact information can typically be found on the product packaging or the seller's website.