

Manuals.plus /

› Hunter /

› Hunter Newsome 53311 52-inch Indoor Ceiling Fan with LED Light - Instruction Manual

## Hunter 53311

# Hunter Newsome 53311 52-inch Indoor Ceiling Fan with LED Light - Instruction Manual

Model: 53311 | Brand: Hunter

## INTRODUCTION

This manual provides detailed instructions for the safe installation, operation, and maintenance of your Hunter Newsome 53311 52-inch Indoor Ceiling Fan with LED Light. Please read all instructions carefully before beginning installation and retain this manual for future reference.



*Image: Hunter Newsome 52-inch Indoor Ceiling Fan in Premier Bronze with LED light, showcasing its traditional design and five blades.*

## IMPORTANT SAFETY INFORMATION

Always follow basic safety precautions when installing and operating electrical appliances to reduce the risk of fire, electric shock, and personal injury.

- Ensure the power is turned off at the circuit breaker before installation or maintenance.
- All wiring must be in accordance with national and local electrical codes.
- The mounting structure must be capable of supporting the weight of the fan (approximately 8800 grams).
- Do not operate the fan with damaged blades.
- Keep hands, clothing, and other objects clear of the fan blades when the fan is in operation.

## SETUP AND INSTALLATION

### 1. Unpacking and Inspection

Carefully remove all components from the packaging. Inspect all parts for any damage. Ensure all listed components are present before proceeding with installation.

*Hunter*

**52**  
INCHES

# NEWSOME

2 LED Bulbs



5 Reversible  
Blades



Downrod  
3in included



# Included In The Box

Image: Included components for the Hunter Newsome 53311 fan, featuring two LED bulbs, five reversible blades, and a 3-inch downrod.

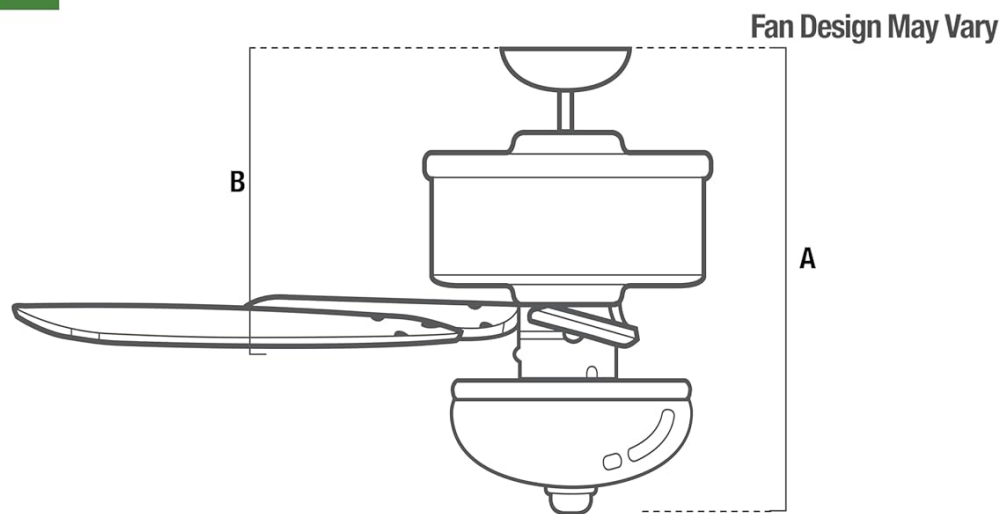
## 2. Mounting Options

The Newsome 53311 fan offers a three-position mounting system for standard, low, or angled installation. The fan includes a 3-inch downrod for standard mounting. Ensure the chosen mounting method is appropriate for your ceiling height and structure.

*Hunter*  
**52**  
INCHES

# LARGE ROOM

53311



### Low Profile:

2in downrod included

**A: 17.45**

**B: 10.68**

### Standard:

3in downrod included

**A: 18.45**

**B: 11.68**

### Angled:

36in downrod not included

**A: 51.45**

**B: 44.68**

# Fan Dimensions

Image: Fan dimensions for various mounting types: Low Profile (2in downrod), Standard (3in downrod), and Angled (36in downrod not included), with corresponding height measurements.

## 3. Blade Installation

Attach the five walnut wood blades to the motor housing using the provided hardware. Ensure all screws are securely tightened.

## 4. Light Kit Installation

Install the 13W Frosted Amber Bowl Light Kit according to the instructions provided in the separate light kit manual. Insert the energy-efficient LED bulbs.

## 5. Electrical Wiring

Connect the fan's electrical wiring to your household wiring as per the wiring diagram in the full installation guide. If you are unsure, consult a qualified electrician.

## OPERATING INSTRUCTIONS

---

### 1. Pull Chain Control

The fan and light are operated by traditional pull chains. One chain controls the fan speed, and the other controls the light.

### 2. Fan Speeds

The fan features a 3-speed WhisperWind motor. Pull the fan chain to cycle through the speeds: High, Medium, Low, and Off. The fan is designed for powerful airflow with ultra-quiet operation.

Hunter

# WHISPERWIND® MOTOR



Adjustable to work in any space.



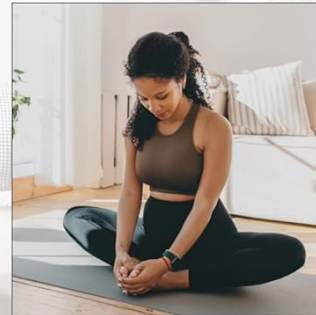
### LOW-SPEED

Suitable for Sleeping



### MEDIUM-SPEED

Suitable for Relaxing



### HIGH-SPEED

Suitable for Activities

*Image: The Hunter WhisperWind Motor offers three adjustable speeds: Low for sleeping, Medium for relaxing, and High for activities, ensuring comfort in any space.*

### 3. Reversible Motor Function

The fan includes a reversible motor for year-round comfort. A switch on the motor housing allows you to change the direction of the blades.

- **Summer Mode:** Set blades to spin counter-clockwise to create a downdraft, providing a cooling effect.
- **Winter Mode:** Set blades to spin clockwise on low speed to create an updraft, circulating warm air trapped near the ceiling.

Hunter



*Image: Reversible Multi-Speed Motor diagram, illustrating how to set blades counter-clockwise for a cooling downdraft in Summer Mode and clockwise for an updraft to circulate warm air in Winter Mode.*

#### 4. Light Operation

Pull the light chain to turn the LED light on or off. The integrated LED bulbs provide bright, reliable lighting.

#### 5. Energy Efficiency

Utilizing your ceiling fan can help optimize energy usage. Turning up your thermostat by 4°F and using the fan can provide consistent comfort while saving energy.

Hunter

SAVE ENERGY, SAVE MONEY



Turn up your thermostat 4°F and turn on your fan for consistent comfort.

*Image: A woman adjusts a thermostat, with a Hunter ceiling fan in the background, demonstrating how to save energy by using the fan to maintain comfort at a higher thermostat setting.*

## Product Videos

Your browser does not support the video tag.

*Video: This video provides an overview of the Hunter Newsome Indoor/Outdoor Ceiling Fan, highlighting its features and design. Note: This specific model is for indoor use.*

Your browser does not support the video tag.

*Video: This video showcases the Hunter Newsome Ceiling Fan, focusing on its LED light and low-profile style, demonstrating its aesthetic and functional benefits.*

## MAINTENANCE

### 1. Cleaning

To clean the fan, wipe with a soft, damp cloth. Do not use abrasive cleaners or solvents, as these may damage the finish or blades. Regular cleaning helps maintain the fan's appearance and performance.

## 2. Blade Balancing

The Hunter Newsome fan is designed for stable operation and typically does not require blade balancing. If you notice any wobbling, ensure all blade screws are tightened. Refer to the full installation guide for detailed balancing instructions if necessary.

## 3. Bulb Replacement

The fan uses energy-efficient LED bulbs. When replacement is needed, ensure the power is off before changing bulbs. Use LED bulbs of the appropriate wattage and base type as specified in the light kit manual.

## TROUBLESHOOTING

---

If your fan is not operating correctly, consult the following common issues:

- **Fan does not start:** Check circuit breakers and wall switches. Ensure all wiring connections are secure.
- **Light does not work:** Check the light pull chain. Ensure bulbs are correctly installed and not faulty. Verify wiring connections to the light kit.
- **Fan wobbles:** Ensure all blade screws are tight. Check that the fan is securely mounted to the ceiling junction box. Verify that the blades are not bent or damaged.
- **Noisy operation:** Ensure all screws are tight. Check for any loose parts. The WhisperWind motor is designed for quiet operation; unusual noises may indicate a loose component.

For more detailed troubleshooting, refer to the complete installation and troubleshooting guide or contact Hunter customer support.

## SPECIFICATIONS

---

Feature	Detail
Brand	Hunter
Model Name	Newsome
Model Number	53311
Color	Premier Bronze
Product Dimensions	52"D x 52"W x 13.02"H
Item Weight	8800 Grams
Number of Blades	5
Blade Material	Walnut Wood
Light Type	LED (13W Frosted Amber Bowl Light Kit)
Number of Speeds	3
Controller Type	Pull Chain Control
Air Flow Capacity	5077 Cubic Feet Per Minute
Voltage	120 Volts
Indoor/Outdoor Usage	Indoor
Mounting Type	Ceiling Mount (Standard, Low, Angled)
Certification	UL Listed
UPC	049694533111

## QUALITY ASSURANCE

Hunter is committed to rigorous testing to ensure product safety and reliability, exceeding industry standards. This includes extensive testing of components and overall fan performance.

Your browser does not support the video tag.

*Video: This video highlights Hunter's commitment to quality through extensive testing and certification processes, ensuring product durability and safety.*

## WARRANTY INFORMATION

### Motor - Limited Lifetime Warranty

If any part of your ceiling fan motor fails during your ownership of the fan due to a defect in material or workmanship, as determined solely by Hunter, Hunter will provide you with a replacement fan free of charge. This limited warranty applies only to the motor itself and does not apply to electronic controls (such as remote control transmitters, remote control receivers, or capacitors) used in conjunction with the motor. Such electronic control items are included in the one-year limited warranty.

### Other Components - One Year Limited Warranty

Except as otherwise indicated throughout this warranty, if any part of your Hunter ceiling fan fails at any time within one year of the date of purchase due to a defect in material or workmanship, as determined solely by Hunter, Hunter will provide a replacement part free of charge.

## SUPPORT

---

For further assistance, technical support, or warranty claims, please visit the official Hunter Fan Company website or contact their customer service department. Have your model number (53311) and proof of purchase ready.

Official Website: [www.hunterfan.com](http://www.hunterfan.com)

