

[Manuals.plus](#) /

› [Silva-Homeline](#) /

› Silva Schneider EBM-G 880E Built-in Microwave with Grill User Manual

## Silva-Homeline EBM-G 880E

# Silva Schneider EBM-G 880E Built-in Microwave with Grill User Manual

Model: EBM-G 880E

## INTRODUCTION

This manual provides essential instructions for the safe and efficient operation of your Silva Schneider EBM-G 880E built-in microwave oven with grill function. Please read this manual thoroughly before using the appliance and retain it for future reference.

The Silva Schneider EBM-G 880E is a versatile kitchen appliance designed for heating, cooking, and grilling food. It features a 17-liter capacity, 700W microwave power, and a 900W grill function, all within a sleek stainless steel design.

## IMPORTANT SAFETY INSTRUCTIONS

Always follow basic safety precautions when using electrical appliances to reduce the risk of fire, electric shock, injury to persons, or exposure to excessive microwave energy.

- Read all instructions before using the appliance.
- Do not attempt to operate this oven with the door open as this can result in harmful exposure to microwave energy.
- Do not place any object between the oven front face and the door or allow soil or cleaner residue to accumulate on sealing surfaces.
- Do not operate the oven if it is damaged. It is particularly important that the oven door closes properly and that there is no damage to the: (1) door (bent), (2) hinges and latches (broken or loosened), (3) door seals and sealing surfaces.

- The oven should not be adjusted or repaired by anyone except properly qualified service personnel.
- Ensure the appliance is properly grounded.
- Do not heat liquids or other foods in sealed containers since they are liable to explode.
- Only use utensils suitable for microwave ovens.
- When heating food in plastic or paper containers, keep an eye on the oven due to the possibility of ignition.
- If smoke is observed, switch off or unplug the appliance and keep the door closed in order to stifle any flames.
- Do not overcook food.
- Clean the oven regularly and remove any food deposits.
- Failure to maintain the oven in a clean condition could lead to deterioration of the surface that could adversely affect the life of the appliance and possibly result in a hazardous situation.

## PRODUCT OVERVIEW

The Silva Schneider EBM-G 880E features a user-friendly control panel and a spacious interior for various cooking needs.



**Figure 1:** Front view of the Silva Schneider EBM-G 880E built-in microwave with grill. This image displays the stainless steel exterior, the glass door, the digital display, and the control panel with various buttons and a rotary knob.

### Components:

- **Oven Cavity:** 17-liter capacity, stainless steel interior.
- **Glass Turntable:** Diameter 24.5 cm, ensures even cooking.
- **Control Panel:** Digital display, function buttons, and rotary knob for settings.

- **Oven Door:** With handle for opening and closing.
- **Grill Rack:** A metal rack used for grilling.

### Control Panel Overview:

Based on the product image, the control panel includes:

- **Digital Display:** Shows time, power level, and cooking status.
- **Memory Button:** For saving frequently used settings.
- **Pause/Cancel Button:** Stops cooking or clears settings.
- **Clock Button:** For setting the time.
- **Preset Button:** For automatic cooking programs.
- **Power Level Buttons:** (e.g., M.Low, M.Med, M.High, Grill, Combi) to select microwave or grill power.
- **Defrost Button:** For defrosting food.
- **Time/Weight/Grill Rotary Knob:** Used to adjust cooking time, weight for defrosting, or grill settings.
- **Start/Quick Start Button:** Initiates cooking or starts quick cooking.

## SETUP AND INSTALLATION

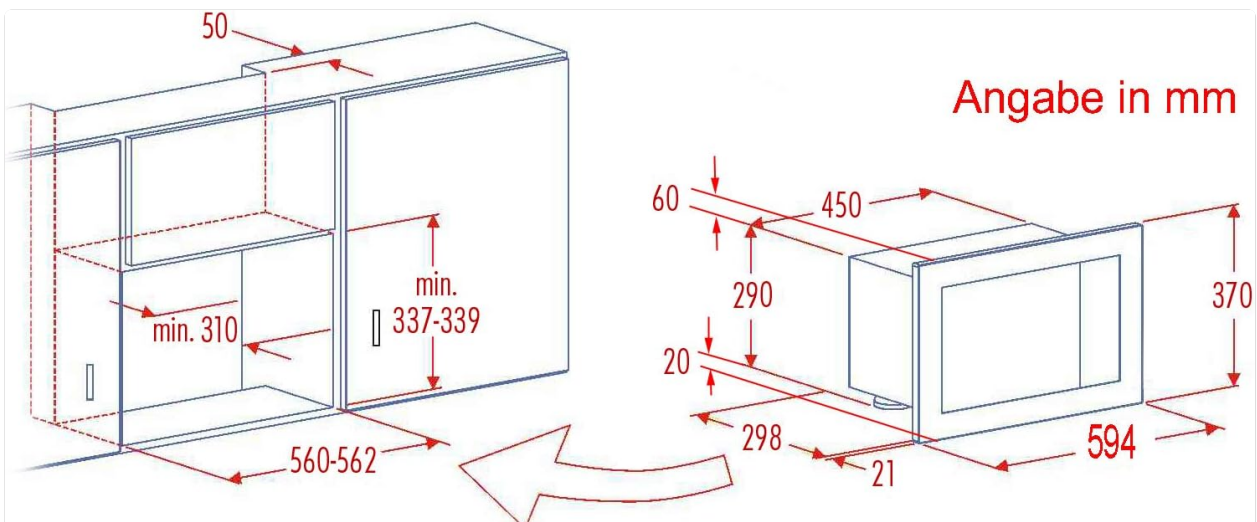
This microwave oven is designed for built-in installation. Proper installation is crucial for safety and optimal performance.

### Unpacking:

- Carefully remove all packaging materials.
- Check the oven for any damage, such as dents or a misaligned door. Do not operate if damaged.
- Ensure all accessories, including the turntable and grill rack, are present.

### Installation Requirements:

The appliance must be installed into a suitable cabinet opening. Refer to the diagram below for precise dimensions.



**Figure 2:** Installation diagram with dimensions in millimeters. This diagram illustrates the required cabinet opening (width 560-562mm, minimum height 337-339mm, minimum depth 310mm) and the microwave's external dimensions (width 594mm, height 370mm, depth 298mm).

- **Cabinet Dimensions:** The cabinet opening should be approximately 560-562 mm wide, with a minimum height of 337-339 mm and a minimum depth of 310 mm.
- **Ventilation:** Ensure adequate ventilation around the appliance. Do not block any ventilation openings.
- **Power Supply:** Connect the appliance to a properly grounded electrical outlet. The power supply must match the specifications (700 Watts).
- **Leveling:** Ensure the oven is level in the cabinet to prevent spills and ensure proper operation of the turntable.

### First Use:

1. After installation, plug in the microwave. The digital display will show "0:00" or similar.
2. Set the clock (refer to "Setting the Clock" in the Operating section).
3. Before cooking food, place a cup of water inside and run the microwave on high power for 5 minutes to remove any manufacturing odors.

## OPERATING INSTRUCTIONS

---

This section details how to use the various functions of your microwave oven.

### Setting the Clock (12/24 Hour):

1. Press the **Clock** button once. The hour digits will flash.
2. Turn the **Time/Weight/Grill Rotary Knob** to set the hour.
3. Press the **Clock** button again. The minute digits will flash.
4. Turn the **Time/Weight/Grill Rotary Knob** to set the minutes.
5. Press the **Clock** button a third time to confirm the setting.

### Microwave Cooking:

1. Place food in a microwave-safe container on the turntable.
2. Close the door.
3. Press the desired **Power Level Button** (e.g., M.High for 100% power, M.Med for 50% power). The oven has 6 power levels.
4. Turn the **Time/Weight/Grill Rotary Knob** to set the cooking time (up to 60 minutes).
5. Press the **Start/Quick Start** button to begin cooking.

**Quick Start:** Press the **Start/Quick Start** button repeatedly to add cooking time in 30-second increments at full power.

### Grill Function (900W):

The grill function is ideal for browning and crisping food. Use the grill rack provided.

1. Place food on the grill rack in the oven.

2. Close the door.
3. Press the **Grill** power level button.
4. Turn the **Time/Weight/Grill Rotary Knob** to set the grilling time.
5. Press the **Start/Quick Start** button to begin grilling.

### Combination Cooking (Microwave + Grill):

This function combines microwave power with grilling for faster cooking and browning.

1. Place food on the grill rack in the oven.
2. Close the door.
3. Press the **Combi** power level button (e.g., Combi 1, Combi 2).
4. Turn the **Time/Weight/Grill Rotary Knob** to set the cooking time.
5. Press the **Start/Quick Start** button to begin.

### Defrost Function:

The defrost function allows you to defrost food by weight.

1. Place the frozen food in the oven.
2. Close the door.
3. Press the **Defrost** button.
4. Turn the **Time/Weight/Grill Rotary Knob** to select the weight of the food.
5. Press the **Start/Quick Start** button to begin defrosting.

### Automatic Cooking Programs:

The oven features pre-programmed settings for common food types. The exact programs will be indicated on the control panel or in a more detailed manual. Generally, you would:

1. Place food in the oven.
2. Close the door.
3. Press the **Preset** button repeatedly or turn the **Time/Weight/Grill Rotary Knob** to select the desired automatic program.
4. Press the **Start/Quick Start** button to begin.

### Using the Timer:

The digital timer can be used independently or during cooking.

1. Press the **Timer** button (if available, or use the clock function for a simple countdown).
2. Turn the **Time/Weight/Grill Rotary Knob** to set the desired time (up to 60 minutes).
3. The timer will count down and emit an acoustic signal when finished.

## MAINTENANCE AND CLEANING

---

Regular cleaning and maintenance will ensure the longevity and efficient operation of your microwave oven.

### General Cleaning:

- Always unplug the oven before cleaning.
- Clean the oven cavity, door, and door seals regularly with a damp cloth and mild detergent. Avoid abrasive cleaners or scouring pads.
- For stubborn food residues, place a bowl of water with lemon juice inside and microwave on high for 5-10 minutes. The steam will loosen the residue, making it easier to wipe away.
- The glass turntable can be removed and washed in warm soapy water or in a dishwasher.
- Wipe the exterior surfaces with a soft, damp cloth.
- Ensure all surfaces are dry before plugging the oven back in.

### Grill Cleaning:

- Allow the grill element to cool completely before cleaning.
- Clean the grill rack in warm soapy water.
- Wipe the interior ceiling of the oven, especially around the grill element, with a damp cloth to remove grease splatters.

## TROUBLESHOOTING

If you encounter issues with your microwave oven, refer to the following common problems and solutions:

Problem	Possible Cause	Solution
Oven does not start.	Power cord not plugged in; Door not closed properly; Fuse blown or circuit breaker tripped.	Ensure power cord is securely plugged in; Close door firmly; Check household fuse or reset circuit breaker.
Food not cooking or heating properly.	Incorrect cooking time/power level; Door not closed properly; Food quantity too large.	Adjust cooking time and power level; Ensure door is fully closed; Reduce food quantity or increase cooking time.
Turntable not rotating.	Turntable not properly placed; Debris under turntable.	Ensure turntable is correctly seated on its support; Clean under the turntable.
Oven light not working.	Bulb needs replacement.	Contact qualified service personnel for bulb replacement.
Sparking inside the oven.	Metal or foil in the oven; Utensils not microwave-safe; Food splatters on cavity walls.	Remove all metal objects; Use only microwave-safe dishes; Clean oven cavity thoroughly.

If the problem persists after trying these solutions, please contact customer support or a qualified service technician.

## SPECIFICATIONS

---

Detailed technical specifications for the Silva Schneider EBM-G 880E microwave oven:

- **Model:** EBM-G 880E
- **Type:** Built-in Microwave with Grill
- **Capacity:** 17 Liters
- **Microwave Power:** 700 Watts
- **Grill Power:** 900 Watts
- **Power Levels:** 6 Microwave power levels
- **Interior Material:** Stainless Steel
- **Exterior Material:** Stainless Steel
- **Turntable Diameter:** 24.5 cm
- **Digital Clock:** 12/24 hour format
- **Digital Timer:** Up to 60 minutes
- **Special Features:** Defrost function, Automatic cooking programs, Acoustic end signal
- **Product Dimensions (L x W x H):** 34.6 x 45.2 x 29.3 cm (Depth x Width x Height)
- **Weight:** 10.62 Kilograms
- **Installation Type:** Integrated

## WARRANTY AND SUPPORT

---

Specific warranty details for the Silva Schneider EBM-G 880E are typically provided with the product at the time of purchase or can be found on the manufacturer's official website. Please refer to your purchase documentation for warranty period and terms.

For technical support, service, or to inquire about replacement parts, please contact Silva-Homeline customer service directly. Contact information can usually be found on the product packaging, the manufacturer's website, or your purchase receipt.

When contacting support, please have your model number (EBM-G 880E) and purchase date ready.