

[Manuals.plus](#) /

› [hansgrohe](#) /

› Hansgrohe Talis Select E 240 Basin Mixer Faucet Instruction Manual

## **hansgrohe 71752000**

# **Hansgrohe Talis Select E 240 Basin Mixer Faucet**

Model: 71752000

**Product**

**Overview**

**Installation**

**Operation**

**Maintenance**

**Troubleshooting**

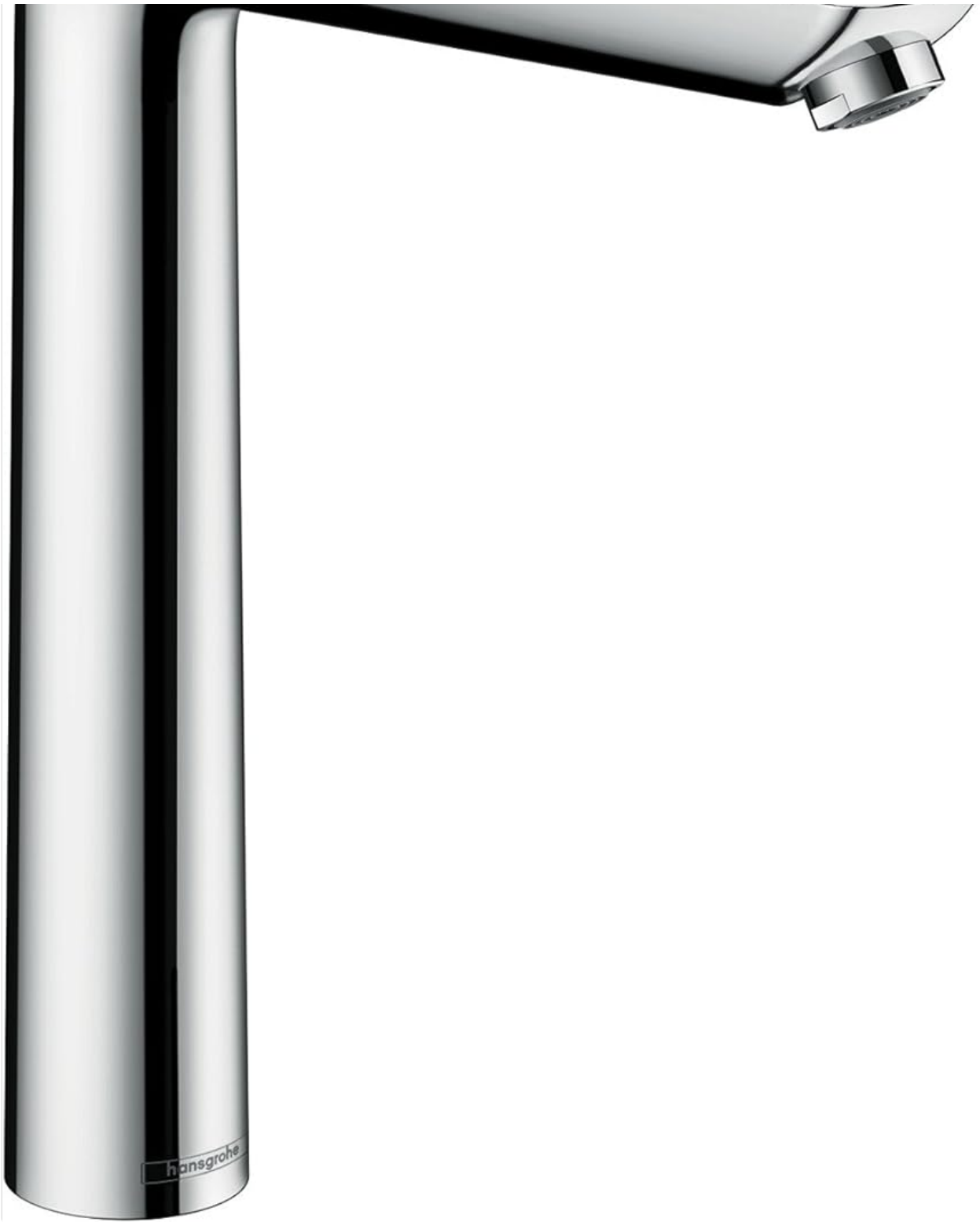
**Specifications**

**Warranty &  
Support**

## **1. PRODUCT OVERVIEW**

The Hansgrohe Talis Select E 240 Basin Mixer Faucet (Model 71752000) is a high-quality, deck-mounted single-lever faucet designed for modern bathrooms. It features a polished chrome finish and a ceramic handle, ensuring durability and a sleek aesthetic. Key features include ComfortZone 240 for ample space at the basin, a Select cartridge for intuitive flow and temperature control, and an adjustable temperature limitation for safety and energy efficiency. This faucet is suitable for use with instantaneous water heaters.





**Figure 1:** Hansgrohe Talis Select E 240 Basin Mixer Faucet. This image shows the elegant design and polished chrome finish of the faucet, highlighting its tall, slender body and integrated lever handle.

## 2. INSTALLATION INSTRUCTIONS

---

This section provides general guidelines for installing your Hansgrohe Talis Select E 240 Basin Mixer Faucet. For detailed, step-by-step instructions, please refer to the comprehensive installation manual included in your product packaging. Professional installation is recommended.

### 2.1 Pre-Installation Checks

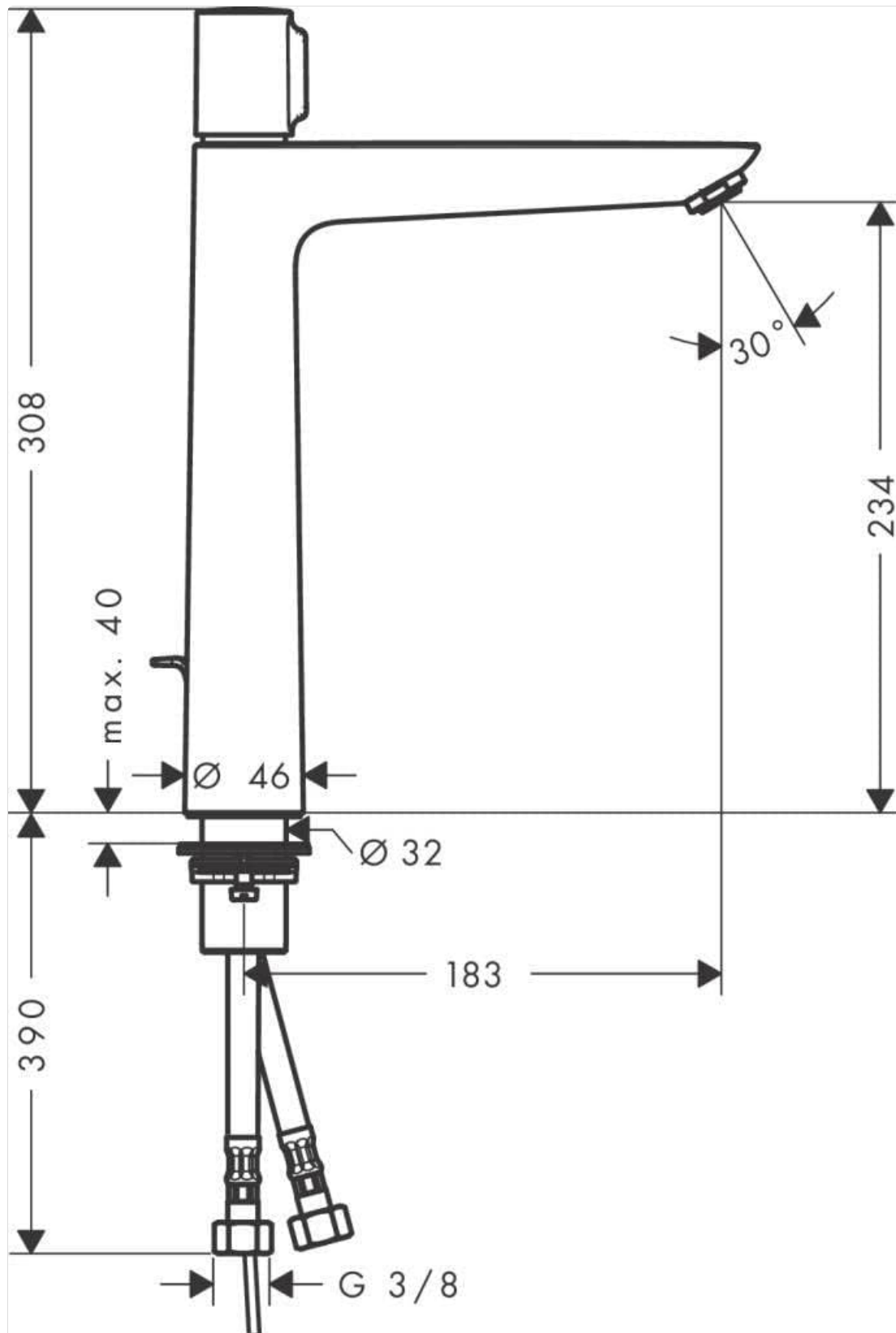
- Ensure all necessary components are present: faucet body, connection hoses, mounting hardware, and pull-rod drain fitting.
- Verify that the basin has a single mounting hole with a diameter suitable for the faucet (typically Ø 32-46 mm).
- Turn off the main water supply before beginning installation.

## 2.2 Mounting the Faucet

1. Insert the connection hoses and the threaded rod through the mounting hole of the basin.
2. From underneath the basin, secure the faucet using the provided washer and nut. Tighten firmly but do not overtighten.
3. Connect the hot and cold water supply lines to the corresponding connection hoses (G 3/8).

## 2.3 Installing the Drain Fitting

The faucet includes a pull-rod drain fitting (G 1¼). Install this according to the instructions provided with the drain assembly, ensuring a watertight seal.



**Figure 2:** Technical Diagram. This diagram illustrates the dimensions of the faucet, including its height (308mm), projection (183mm), and connection details such as the G 3/8 supply lines and DN15 connection size. It also shows the recommended mounting hole diameter (Ø 32-46mm).

### 3. OPERATION

The Hansgrohe Talis Select E 240 faucet is designed for ease of use with its intuitive Select cartridge and ComfortZone 240 feature.

## 3.1 Water Flow and Temperature Control

- **Flow Control:** The lever handle controls the water flow. Lift the handle to increase flow and push it down to decrease or stop the flow.
- **Temperature Control:** Move the lever handle to the left for hot water and to the right for cold water. The Select cartridge allows for precise temperature adjustment.
- **Adjustable Temperature Limitation:** For safety and to prevent scalding, the faucet features an adjustable temperature limitation. This can be set during installation or by a qualified professional to restrict the maximum hot water temperature.

## 3.2 ComfortZone 240

The ComfortZone 240 provides a generous working space between the faucet spout and the basin, making daily tasks like hand washing or filling containers more comfortable and convenient. The faucet delivers a normal spray pattern with a flow rate of 5 liters per minute.

## 3.3 Drain Operation

The integrated pull-rod drain fitting (G 1¼) allows you to open and close the basin drain by simply pulling or pushing the small rod located at the back of the faucet base.

---

## 4. MAINTENANCE AND CARE

---

Proper care will ensure the longevity and pristine appearance of your Hansgrohe Talis Select E 240 faucet. The polished chrome finish and ceramic components require gentle cleaning.

### 4.1 Cleaning the Faucet

- Use only mild soap and water or a specialized cleaner designed for chrome finishes.
- Apply the cleaner to a soft cloth, then gently wipe the faucet surface.
- Rinse thoroughly with clean water and dry with a soft, lint-free cloth to prevent water spots.

### 4.2 What to Avoid

- Do not use abrasive cleaners, scouring pads, or harsh chemicals (e.g., bleach, ammonia-based cleaners) as these can damage the chrome finish and internal components.
- Avoid spraying cleaners directly onto the faucet, as chemicals can seep into crevices and cause damage.

### 4.3 Aerator Maintenance

If water flow becomes reduced or uneven, the aerator at the end of the spout may be clogged with mineral deposits. Unscrew the aerator, clean it under running water, and reattach it. For stubborn deposits, soak the aerator in a vinegar solution.

---

## 5. TROUBLESHOOTING

---

This section addresses common issues you might encounter with your Hansgrohe Talis Select E 240 faucet. If you experience problems not listed here or if the suggested solutions do not resolve the issue, please contact Hansgrohe customer support or a qualified plumber.

Problem	Possible Cause	Solution
Reduced water flow	Clogged aerator; partially closed shut-off valves; low water pressure.	Clean the aerator (see Maintenance section); ensure shut-off valves are fully open; check household water pressure.
Leaking from spout or handle	Loose connections; worn O-rings or cartridge.	Check and tighten all connections; if leaking persists, the cartridge or O-rings may need replacement by a professional.
Inconsistent water temperature	Improperly adjusted temperature limiter; issues with water heater.	Verify the temperature limiter setting; check your water heater for proper operation.
Pull-rod drain fitting not working	Mechanism obstructed or disconnected.	Inspect the linkage under the basin for obstructions or disconnections. Realign or reconnect as necessary.

## 6. TECHNICAL SPECIFICATIONS

Below are the key technical specifications for the Hansgrohe Talis Select E 240 Basin Mixer Faucet (Model 71752000).

Feature	Specification
Brand	hansgrohe
Model Number	71752000
Mounting Type	Deck Mount
Installation Type	Single Hole
Finish Type	Polished Chrome
Material	Ceramic (handle, cartridge)
Handle Type	Lever
Handle Location	Right
ComfortZone	240 mm
Projection	183 mm
Normal Spray Flow Rate	5 l/min
Drain Fitting	Pull-rod drain fitting G 1¼
Connection Type	G 3/8 connection hoses
Connection Size	DN15
Item Weight	2.72 Kilograms

Feature	Specification
Suitable for instantaneous water heaters	Yes

## 7. WARRANTY AND CUSTOMER SUPPORT

---

Hansgrohe products are manufactured to the highest quality standards and come with a manufacturer's warranty. For specific warranty terms and conditions applicable to your region, please refer to the documentation included with your product or visit the official Hansgrohe website.

For technical assistance, spare parts, or any other inquiries, please contact Hansgrohe customer support. You can find contact information and additional resources by visiting the [Hansgrohe Store on Amazon](#) or their official brand website.