

Manuals.plus /

› hansgrohe /

› hansgrohe Talis S Basin Mixer Tap 100 Instruction Manual

hansgrohe 72021000

hansgrohe Talis S Basin Mixer Tap 100 Instruction Manual

Model: 72021000

1. INTRODUCTION

This manual provides essential information for the safe and efficient installation, operation, and maintenance of your hansgrohe Talis S Basin Mixer Tap 100. Please read these instructions carefully before installation and keep them for future reference. This product is designed for use with high-pressure water systems.

2. SAFETY INFORMATION

- Ensure all water supply lines are turned off before beginning installation.
- Protect the product from frost.
- Installation must be carried out by qualified personnel in accordance with local plumbing codes and regulations.
- Avoid using abrasive cleaners or scouring pads on the chrome finish.

3. PACKAGE CONTENTS

Verify that all components are present before starting installation:

- 1 x hansgrohe Talis S Single Lever Basin Tap 100 (without waste)
- Connection hoses (G? Connection hose, DN15)
- Mounting hardware
- Instruction manual

4. INSTALLATION

The hansgrohe Talis S Basin Mixer Tap 100 is designed for deck mount installation. Follow these general steps:

1. Prepare the mounting surface: Ensure the basin or countertop has a suitable hole for the faucet.
2. Connect the flexible supply hoses to the faucet body.
3. Insert the faucet into the mounting hole.
4. Secure the faucet from underneath the basin/countertop using the provided mounting hardware.
5. Connect the supply hoses to the hot and cold water supply lines. Ensure proper sealing.

6. Slowly turn on the water supply and check for leaks.



Figure 4.1: Detailed dimension diagram of the hansgrohe Talis S Basin Mixer Tap 100, showing measurements for height, spout reach, and connection points.

5. OPERATION

The Talis S Basin Mixer Tap 100 features a single lever for controlling both water flow and temperature. The faucet is equipped with a Comfort Zone 100, providing ample space between the spout and the basin for comfortable use.

- **Water Flow:** Lift the lever to increase water flow. Push down to reduce or stop flow.
- **Temperature Control:** Move the lever to the left for hot water and to the right for cold water. The faucet has an adjustable maximum temperature limit for safety.
- **EcoSmart Technology:** This faucet uses smart technology to deliver a reduced flow rate of 5 liters/minute, conserving water without compromising performance.



Figure 5.1: A woman demonstrating the comfortable height and reach of a hansgrohe Talis S faucet, illustrating the 'Comfort Zone' feature for ease of use with various containers.



Figure 5.2: A close-up of a woman operating the single lever of a hansgrohe Talis S faucet, showing how to control water flow and temperature.

Your browser does not support the video tag.

Video 5.3: This video demonstrates the operation of the hansgrohe Talis S single-lever basin mixer, highlighting its ease of use and the 'Comfort Zone' feature for daily tasks.

6. MAINTENANCE AND CLEANING

Regular cleaning and maintenance will ensure the longevity and optimal performance of your faucet.

- **QuickClean Feature:** The faucet is equipped with hansgrohe QuickClean technology. Limescale and dirt residues can be easily removed from the silicone nozzles on the aerator by gently rubbing them with your fingers.
- **Chrome Finish:** Clean the chrome surfaces with a soft cloth and a mild, non-abrasive cleaning agent. Rinse thoroughly with clean water and dry with a soft cloth to prevent water spots.
- **Avoid:** Do not use cleaning agents containing hydrochloric acid, formic acid, chlorine bleach, or acetic acid, as these can damage the finish. Avoid abrasive sponges or brushes.

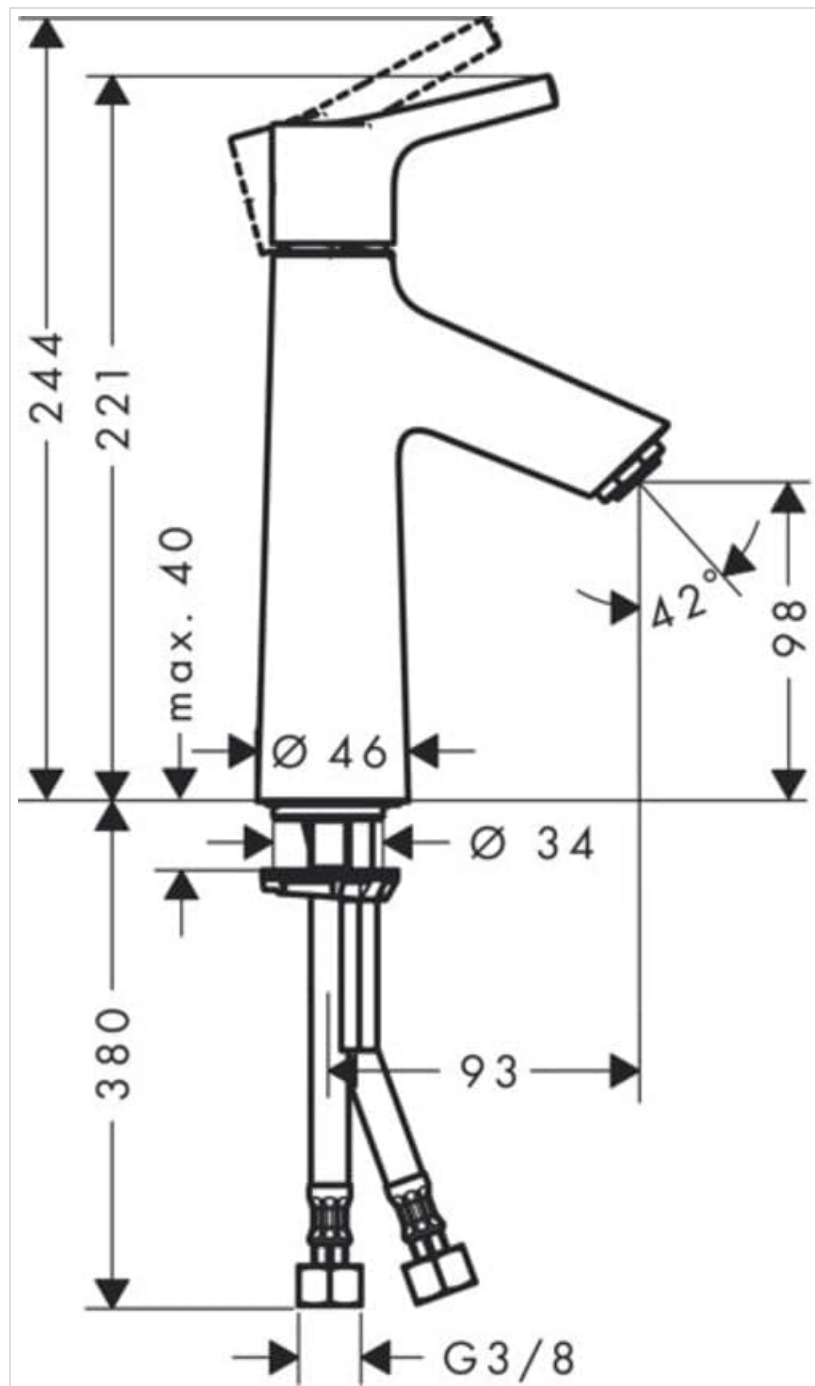


Figure 6.1: A hansgrohe Talis S faucet positioned on a clean white basin, illustrating the product in a typical bathroom setting, ready for daily use and easy cleaning.

7. TROUBLESHOOTING

If you encounter any issues with your faucet, refer to the following common problems and solutions:

- **Low Water Flow:** Check if the aerator is clogged with limescale or debris. Clean the aerator using the QuickClean feature or by unscrewing and rinsing it. Ensure water supply valves are fully open.
- **Leaks:** Check all connections for tightness. If leaks persist, turn off the water supply and consult a qualified plumber.
- **Temperature Control Issues:** Ensure both hot and cold water supplies are active. If the maximum temperature limit was adjusted during installation, verify its setting.
- **No Water:** Verify that the main water supply to your home and the individual stop valves for the faucet are open.

8. TECHNICAL SPECIFICATIONS

Feature	Specification
Brand	hansgrohe
Model Number	72021000
Finish Type	Chrome
Material	Stainless Steel
Mounting Type	Deck Mount
Number of Handles	1 (Lever)
Flow Rate	5 Liters Per Minute
Spout Height	145 Millimeters
Spout Reach	93 Millimeters
Connection Type	G? Connection hose, DN15
Item Weight	1.52 Kilograms
Special Feature	QuickClean, EcoSmart

9. WARRANTY AND SUPPORT

hansgrohe products are manufactured to the highest quality standards. This product comes with a **5-year warranty**, covering manufacturing defects and material faults.

For warranty claims, technical assistance, or spare parts, please contact hansgrohe customer support. Keep your proof of purchase handy.

You can find more information and contact details on the official hansgrohe website: www.hansgrohe.com