

[Manuals.plus](#) /

> [SONOROUS](#) /

> Sonorous PL 2515 TV Stand Instruction Manual

SONOROUS PL 2515

Sonorous PL 2515 TV Stand Instruction Manual

INTRODUCTION

Thank you for choosing the Sonorous PL 2515 TV Stand. This stand is designed to provide a stable and stylish platform for your television and media devices. Featuring a black glass base, shelves, and a grey polished aluminum frame, it accommodates most televisions between 32 and 50 inches. The stand includes integrated cable management and wheels for easy repositioning.

Please read this manual carefully before assembly and use to ensure proper installation and safe operation of your new TV stand.

SAFETY INFORMATION

To prevent injury or damage to your equipment, please observe the following safety precautions:

- Ensure all components are securely fastened before placing any equipment on the stand.
- Do not exceed the maximum weight capacity of 50 kg for the television.
- Place the stand on a level and stable surface to prevent tipping.
- Keep children and pets away from the stand during assembly.
- Route all cables neatly to prevent tripping hazards and ensure proper ventilation.
- Do not attempt to modify the stand in any way.

PACKAGE CONTENTS

Before beginning assembly, please verify that all parts are present and undamaged. If any parts are missing or damaged, do not proceed with assembly and contact customer support.



Image: The Sonorous PL 2515 TV Stand, showcasing its black glass base, central column, and TV mounting bracket. The stand features a sleek, modern design with a lower shelf for media devices.

The package should include:

- Main aluminum column
- Black tempered glass base
- Black tempered glass shelf
- TV mounting bracket (VESA compatible)
- Set of wheels (optional installation)
- Assembly hardware (screws, washers, tools)
- Instruction manual

ASSEMBLY INSTRUCTIONS

It is recommended to assemble the stand on a soft, clean surface to prevent scratches. Two people

may be required for certain steps.

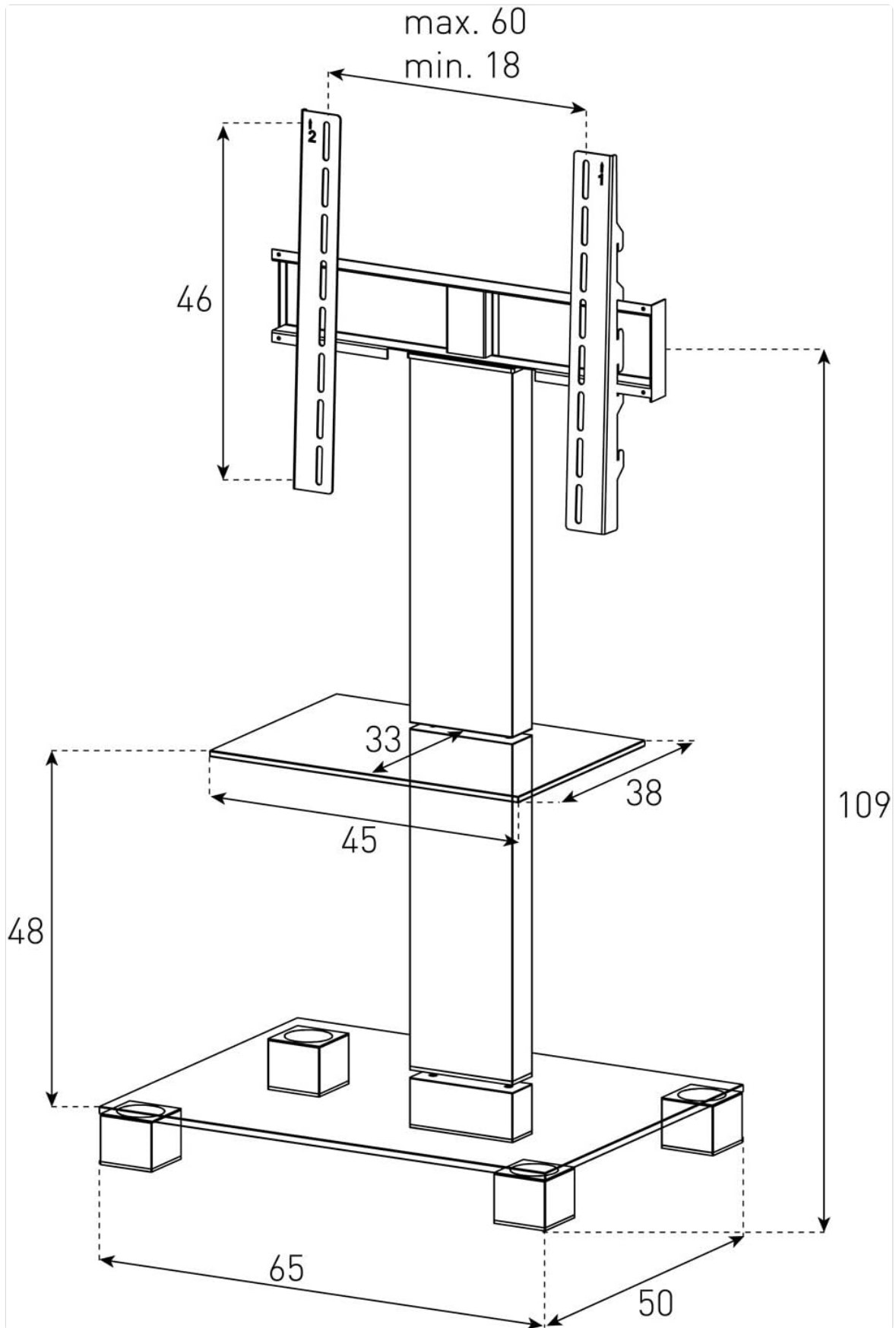


Image: A detailed technical drawing of the Sonorous PL 2515 TV Stand, illustrating its dimensions in centimeters. Key measurements include the overall height (109 cm), base width (65 cm), base depth (50 cm), shelf width (45 cm), shelf depth (38 cm), and TV bracket dimensions, along with VESA mounting patterns.

- 1. Attach the Base:** Carefully attach the black tempered glass base to the bottom of the main

aluminum column using the provided screws and tools. Ensure it is firmly secured.

2. **Install Wheels (Optional):** If desired, screw the wheels into the designated holes on the underside of the base. Ensure they are tightened for stability.
3. **Attach the Shelf:** Slide the black tempered glass shelf onto the main column at the fixed position. Note that the shelf height is not adjustable. Secure it with the appropriate fasteners.
4. **Mount the TV Bracket:** Attach the VESA-compatible TV mounting bracket to the upper part of the main aluminum column. Ensure it is level and securely fastened.
5. **Prepare Your TV:** Attach the smaller VESA mounting plates (if separate) to the back of your television. Refer to your TV's manual for specific instructions on VESA mounting.
6. **Mount the TV:** Carefully lift your television and hook the attached mounting plates onto the TV bracket on the stand. Secure the TV to the bracket using the locking mechanisms or screws provided with the stand. Ensure the TV is centered and stable.
7. **Cable Management:** Utilize the internal cable management system within the main column to route and conceal all power and AV cables for a tidy appearance.

OPERATING INSTRUCTIONS

TV Height Adjustment

The TV mounting bracket allows for continuous height adjustment of approximately +/- 8 cm. To adjust the TV height, loosen the securing screws on the bracket, carefully slide the TV to the desired height, and then re-tighten the screws firmly.

TV Swivel Function

The TV can be swiveled approximately +/- 35 degrees to the left or right. Gently push the TV to the desired viewing angle. No locking mechanism is required for the swivel function.

Cable Management

The main column of the stand features an internal channel for cable management. Open the access points on the column, feed your cables through, and close the covers to conceal them. This helps maintain a clean and organized setup.

MAINTENANCE

Regular maintenance will help prolong the life and appearance of your TV stand:

- **Cleaning:** Use a soft, damp cloth to clean the glass and aluminum surfaces. Avoid abrasive cleaners or solvents that could damage the finish.
- **Check Connections:** Periodically check all screws and fasteners to ensure they remain tight and secure. Re-tighten if necessary.
- **Dusting:** Regularly dust the stand to prevent buildup, especially around electronic devices.

TROUBLESHOOTING

If you encounter any issues with your Sonorous PL 2515 TV Stand, refer to the following common problems and solutions:

- **Stand is Unstable:** Ensure the stand is placed on a flat, level surface. Check that all assembly screws are fully tightened.
- **TV Does Not Fit:** Verify your TV's size and VESA mounting pattern against the specifications. Ensure the TV's maximum width (60 cm) and maximum weight (50 kg) are not exceeded.
- **Cables are Visible/Messy:** Re-route cables through the internal cable management system in the main column. Ensure all access covers are properly closed.
- **Difficulty Adjusting TV Height:** Loosen the securing screws on the TV bracket sufficiently before attempting to slide the TV. Do not force the adjustment.

SPECIFICATIONS

Feature	Specification
Brand	SONOROUS
Model	PL 2515
Material	Aluminum frame, Tempered glass shelves/base
Color	Grey frame, Black glass
Mounting Type	Floor Mount
Movement Type	Swivel (Left/Right +/- 35 degrees)
Minimum Compatible TV Size	32 inches
Maximum Compatible TV Size	50 inches
Maximum TV Weight	50 kg
VESA Compatibility	20x20, 30x30, 40x30, 40x40, 60x40 cm
Overall Height	108 cm (adjustable +/- 8 cm for TV)
Base Width	60 cm
Base Depth	50 cm
Shelf Width	45 cm
Shelf Depth	38 cm
Distance from Floor to Base	6 cm
Distance between Base and Shelf	48 cm

Feature	Specification
Shelf Height Adjustment	Not adjustable
Wheels	Included

WARRANTY AND SUPPORT

For warranty information and customer support, please refer to the documentation provided with your purchase or visit the official Sonorous website. Keep your proof of purchase for any warranty claims.