

## **hansgrohe 14884000**

# **hansgrohe Metris Select M71 Kitchen Tap 320 Instruction Manual**

Model: 14884000

## **1. INTRODUCTION**

---

This manual provides essential information for the safe and efficient installation, operation, and maintenance of your hansgrohe Metris Select M71 Kitchen Tap 320 with Pull-Out Spout. Please read these instructions carefully before installation and retain them for future reference.

## **2. SAFETY INFORMATION**

---

Always observe local plumbing and building codes during installation. Ensure the water supply is turned off before beginning any work. Use appropriate tools and protective equipment. If you are unsure about any step, consult a qualified plumber.

- Do not expose the product to extreme temperatures or harsh chemicals.
- Ensure all connections are secure to prevent leaks.
- The product is designed for kitchen use with potable water.
- Process water cannot flow back into the drinking water pipeline due to the integrated non-return valve.

## **3. PRODUCT OVERVIEW**

---

The hansgrohe Metris Select M71 Kitchen Tap 320 is a single-lever kitchen faucet featuring a pull-out spout and Select technology for convenient water control. Its ergonomic design and ComfortZone 320 provide ample space for various kitchen tasks.

### **Key Features:**

- **ComfortZone 320:** Provides a large distance between the spout and sink for increased working space.

- **Pull-Out Spout:** Extends the working radius for thorough rinsing and increased flexibility.
- **Select Push Button:** Allows quick on/off control of water flow directly on the spout.
- **Laminar Spray:** Delivers a crystal-clear, full stream for efficient pot filling (max. 8 l/min).
- **SoftStart:** Gently increases water flow when turned on to prevent splashing.
- **MagFit Magnetic Bracket:** Securely holds the pull-out spray in the center of the tap spout.
- **Ceramic Mixer System:** Ensures long-lasting, smooth operation.
- **Swivel Spout:** Adjustable to 110° or 150° for versatile use.

## 4. SETUP AND INSTALLATION

---

The hansgrohe Metris Select M71 Kitchen Tap 320 is designed for single-hole deck mounting. The installation process is simplified with flexible hoses and a QuickConnect system.

### Installation Steps:

1. **Prepare the Sink:** Ensure the mounting hole on your sink or countertop is clean and correctly sized for a single-hole faucet.
2. **Connect Hoses:** Attach the flexible hoses (G 3/4/DN15) to the faucet base. These hoses are certified for drinking water use.
3. **Mount the Faucet:** Insert the faucet into the mounting hole. Secure it from underneath the sink using the provided mounting hardware.
4. **Connect Water Supply:** Connect the flexible hoses to your hot and cold water supply lines. Ensure all connections are hand-tightened, then use a wrench for a final quarter-turn to prevent leaks.
5. **Install Pull-Out Hose:** Connect the pull-out hose to the faucet's main body using the QuickConnect system. This connection is tool-free and secure.
6. **Attach Weight:** Install the counterweight onto the pull-out hose beneath the sink to ensure smooth retraction of the spray head.
7. **Test for Leaks:** Slowly turn on the main water supply and check all connections for leaks. Operate the faucet to ensure proper function.



## Easy installation

**Figure 4.1:** The image shows the easy installation process of the hansgrohe kitchen tap, highlighting the simple connection points.

### 5. OPERATING INSTRUCTIONS

Your hansgrohe Metris Select M71 Kitchen Tap offers intuitive control for water flow and temperature.

#### 5.1. Water Flow and Temperature Control

- **Handle Operation:** The single lever handle controls both water volume and temperature. Move the handle up to increase flow and down to decrease. Move it left for hot water and right for cold water.
- **SoftStart Function:** When turning on the water, the flow will gently increase to prevent sudden splashes.

#### 5.2. Select Push Button

The Select push button located on the spout allows for convenient on/off control of the water flow without adjusting the handle settings.



## Easy on and off

**Figure 5.1:** A hand pressing the Select button on the faucet spout, demonstrating easy on and off control of water flow. To pause water flow, press the Select button. Press it again to resume flow at the previously set temperature and volume. This is particularly useful when your hands are dirty or full.

### 5.3. Pull-Out Spout

The pull-out spout provides extended reach and flexibility for various tasks.



## More flexibility

**Figure 5.2:** A woman demonstrating the use of the pull-out spout, highlighting the increased flexibility for tasks like filling a coffee machine.

Gently pull the spout head from its magnetic docking position. After use, guide the spout back into place; the MagFit magnetic bracket will secure it.



## Magnetic for precise retraction

**Figure 5.3:** A close-up view of the pull-out spout retracting into the faucet body, illustrating the magnetic mechanism for precise docking.

### 5.4. Swivel Spout

The spout can be swiveled to 110° or 150° to accommodate different sink configurations and tasks.



## Freedom of movement

**Figure 5.4:** An overhead view of the faucet swiveling over a double sink, demonstrating the freedom of movement and wide coverage.

### 5.5. Laminar Spray

The faucet delivers a crystal-clear laminar spray, ideal for quickly filling pots and other containers.



Figure 5.5: A close-up of the faucet delivering a smooth, crystal-clear laminar water stream.

## 6. MAINTENANCE

Regular cleaning and maintenance will ensure the longevity and optimal performance of your hansgrohe kitchen tap.

- **Cleaning the Surface:** Clean the chrome surface regularly with a soft cloth and a mild, non-abrasive cleaning agent. Avoid cleaners containing alcohol, hydrochloric acid, formic acid, acetic acid, or phosphoric acid, as these can damage the finish.
- **Aerator Maintenance:** Periodically unscrew the aerator (at the tip of the spout) and clean any mineral deposits or debris. Rinse it thoroughly before reattaching.
- **Ceramic Mixer System:** The high-quality ceramic mixer system is designed for durability and low maintenance. If you experience issues with water flow or temperature control, consult the troubleshooting section.
- **Pull-Out Hose:** Ensure the pull-out hose moves freely and is not obstructed by items under the sink.

## 7. TROUBLESHOOTING

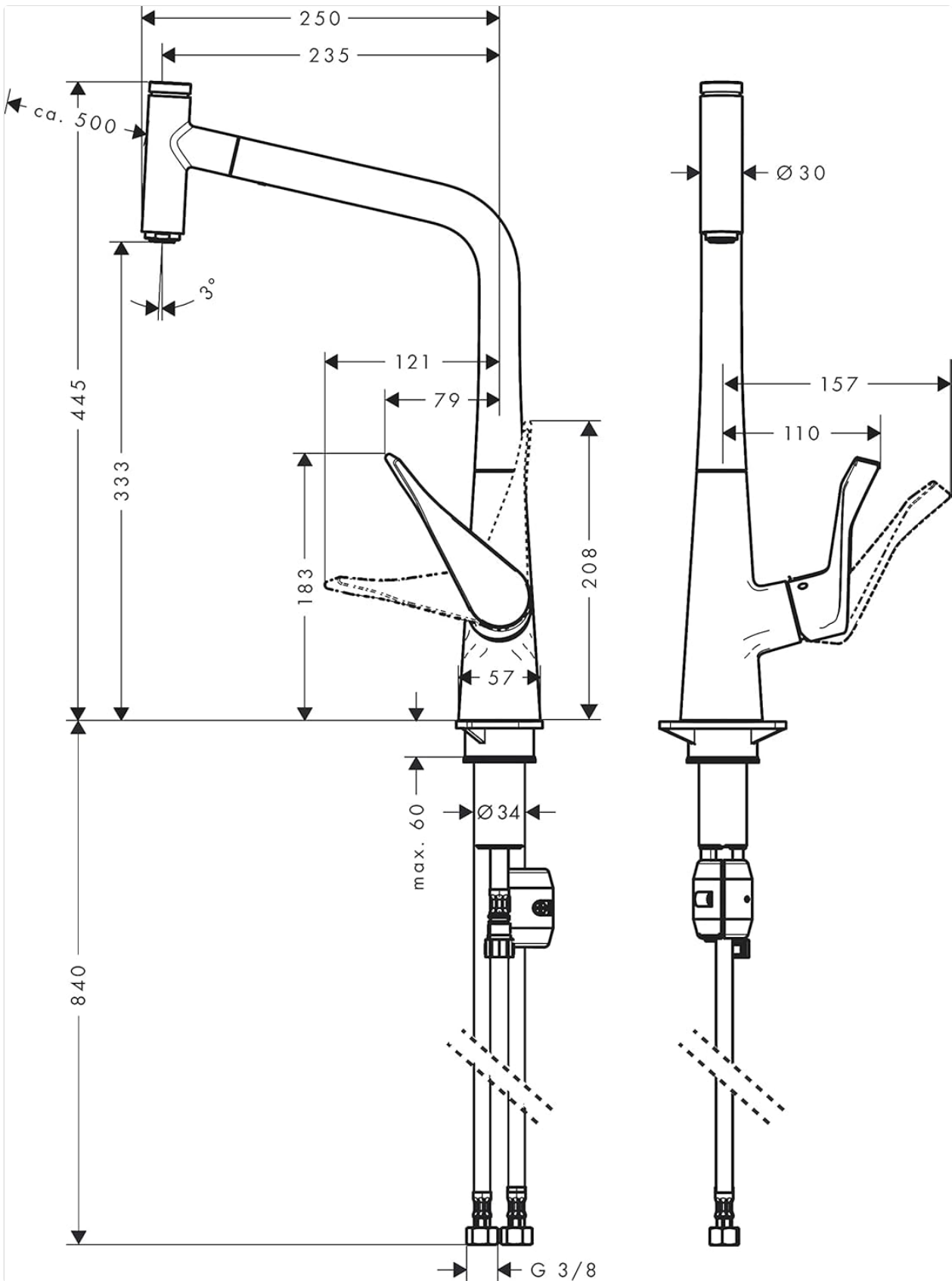
If you encounter any issues with your faucet, refer to the following common problems and solutions:

Problem	Possible Cause	Solution
Low water flow	Clogged aerator; partially closed shut-off valve; low water pressure	Clean or replace aerator; ensure shut-off valves are fully open; check household water pressure.
Leaking at connections	Loose connections; damaged O-rings/gaskets	Tighten connections; replace O-rings or gaskets if damaged.
Water temperature inconsistent	Issue with water heater; cartridge malfunction	Check water heater settings; if problem persists, the ceramic cartridge may need replacement by a professional.
Pull-out spout does not retract smoothly	Obstruction under sink; counterweight dislodged	Clear obstructions; re-position or re-secure the counterweight on the hose.

If the problem persists after attempting these solutions, please contact hansgrohe customer support or a qualified plumber.

## 8. SPECIFICATIONS

Feature	Detail
Brand	hansgrohe
Model Number	14884000
Series ID	Metris Select
Color	Chrome
Material	Ceramic (for valve and handle)
Mounting Type	Deck Mount, Single Hole
Number of Handles	1
Handle Type	Lever with Push button (Select)
Spout Design	Extendable mouth (Pull-Out)
Spout Reach	320 Millimeters
Flow Rate	8 Liters Per Minute (max)
Valve Type	Cartridge Valve (Ceramic)
Item Weight	3.42 Kilograms
Item Dimensions (D x W x H)	22.05"D x 12.6"W x 3.35"H
Included Components	1 x 320 Metris Select Single Lever Kitchen Tap with Pull-Out Spout



**Figure 8.1:** Technical drawing illustrating the dimensions and connections of the hansgrohe Metris Select M71 Kitchen Tap 320.

## 9. WARRANTY AND SUPPORT

hansgrohe products are manufactured to high-quality standards. While specific warranty periods may vary by region, hansgrohe guarantees the availability of spare parts for up to 15 years after a product range has been discontinued. For support, spare parts, or warranty claims, please contact your local hansgrohe dealer or visit

the official hansgrohe website.

© 2024 hansgrohe. All rights reserved.