

## Bosch PXX675DC1E

# Bosch Serie 8 Induction Cooktop

## INSTRUCTION MANUAL

Model: PXX675DC1E

### 1. INTRODUCTION AND OVERVIEW

Thank you for choosing the Bosch Serie 8 Induction Cooktop, model PXX675DC1E. This advanced appliance is designed to provide a superior cooking experience with its innovative features and elegant design. This manual will guide you through the installation, operation, maintenance, and troubleshooting of your new induction cooktop, ensuring safe and efficient use for years to come.

The cooktop features an elegant black glass ceramic surface with GlassProtect, making it scratch-resistant and easy to clean. Its intuitive DirectSelect Premium control allows for precise setting of 17 power levels and flexible combination of cooking zones. With PowerMove Plus and the PerfectFry sensor, you can achieve precise cooking results, while PowerBoost ensures faster heating.

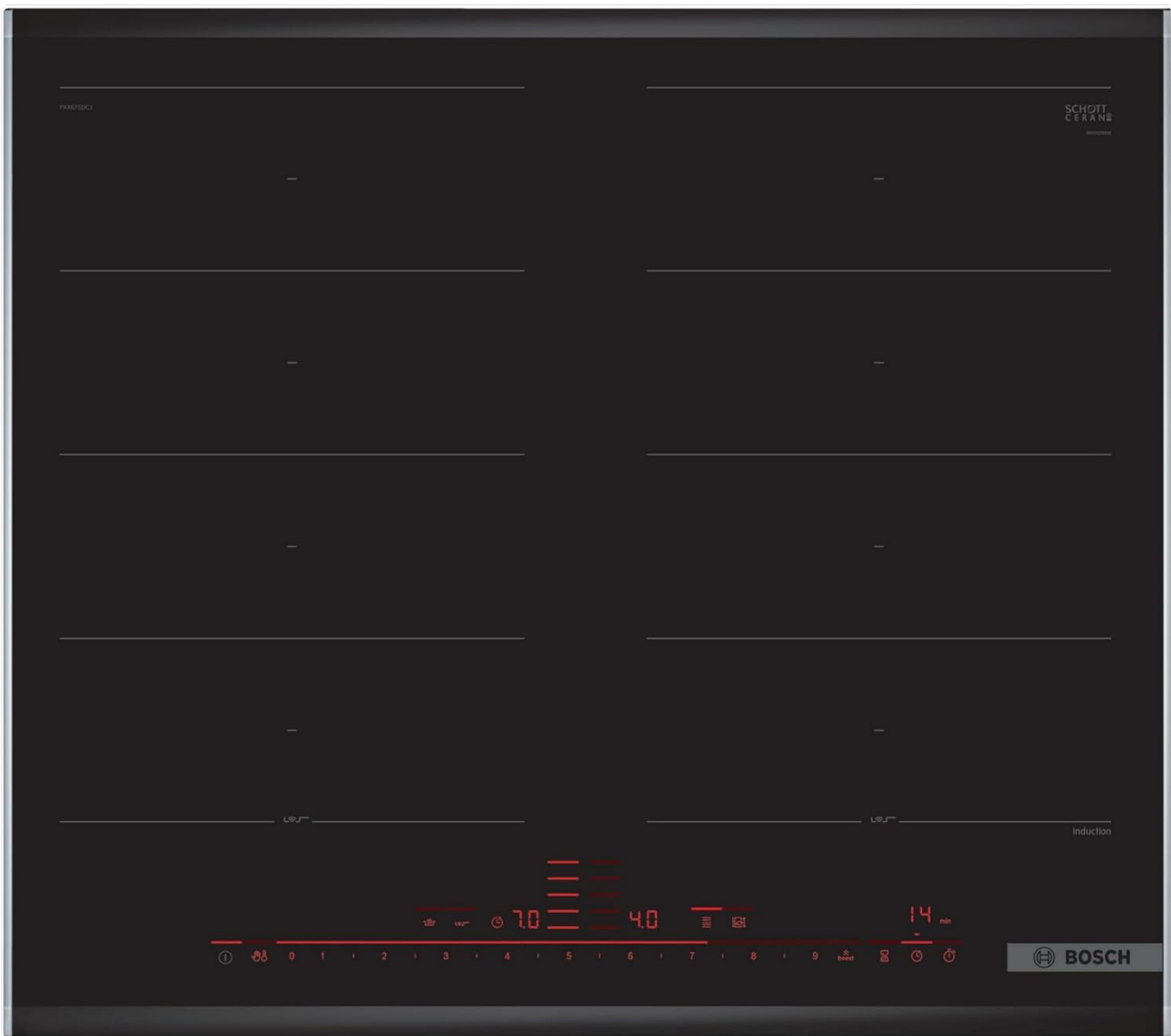


Figure 1.1: Bosch PXX675DC1E Induction Cooktop - Top View

This image displays the overall design of the induction cooktop, highlighting its four cooking zones and the touch control panel at the front. The minimalist design integrates seamlessly into modern kitchen environments.

## 2. SAFETY INFORMATION

Your safety is paramount. Please read all safety instructions carefully before using the appliance. Failure to follow these instructions may result in electric shock, fire, or injury.

- **Electrical Safety:** Ensure the cooktop is correctly installed by a qualified electrician and connected to a properly grounded electrical supply (220 Volts, 7400 Watts). Do not use extension cords or adapters.
- **Heat and Burn Hazard:** The cooking zones become hot during operation. Always use oven mitts when handling hot cookware. The residual heat indicator will show if a zone is still hot.
- **Child Safety:** This appliance is equipped with a child lock function to prevent accidental activation. Always activate the child lock when the cooktop is not in use, especially if children are present.
- **Cookware:** Only use induction-compatible cookware. Non-compatible cookware will not heat up.
- **Cleaning:** Disconnect the appliance from the power supply before cleaning. Allow the cooktop to cool down completely before cleaning to avoid burns.

- **Power Management:** The cooktop features power management to prevent overloading your electrical circuit.



Figure 2.1: Safety Warning Icon

This icon signifies important safety warnings and precautions that must be observed during the installation, operation, and maintenance of the cooktop.

### 3. WHAT'S IN THE BOX

Upon unpacking your Bosch Induction Cooktop, please ensure all components are present and undamaged.

- Bosch PXX675DC1E Induction Cooktop Unit
- Instruction Manual (this document)
- Mounting Brackets and Screws
- Sealing Strip

If any items are missing or damaged, please contact your retailer or Bosch customer service immediately.

## 4. SETUP AND INSTALLATION

Installation should only be performed by a qualified professional in accordance with local regulations and the provided installation diagrams. The cooktop requires a cutout in the countertop and proper ventilation.

### 4.1. Countertop Cutout Dimensions

The cooktop is designed for a standard 60 cm width. Ensure your countertop cutout meets the following minimum dimensions:

- **Product Dimensions:** Approximately 5.1 cm (H) x 60 cm (W) x 5.1 cm (D)
- **Installation Dimensions:** Approximately 61 cm (T) x 53 cm (B) x 6 cm (H)

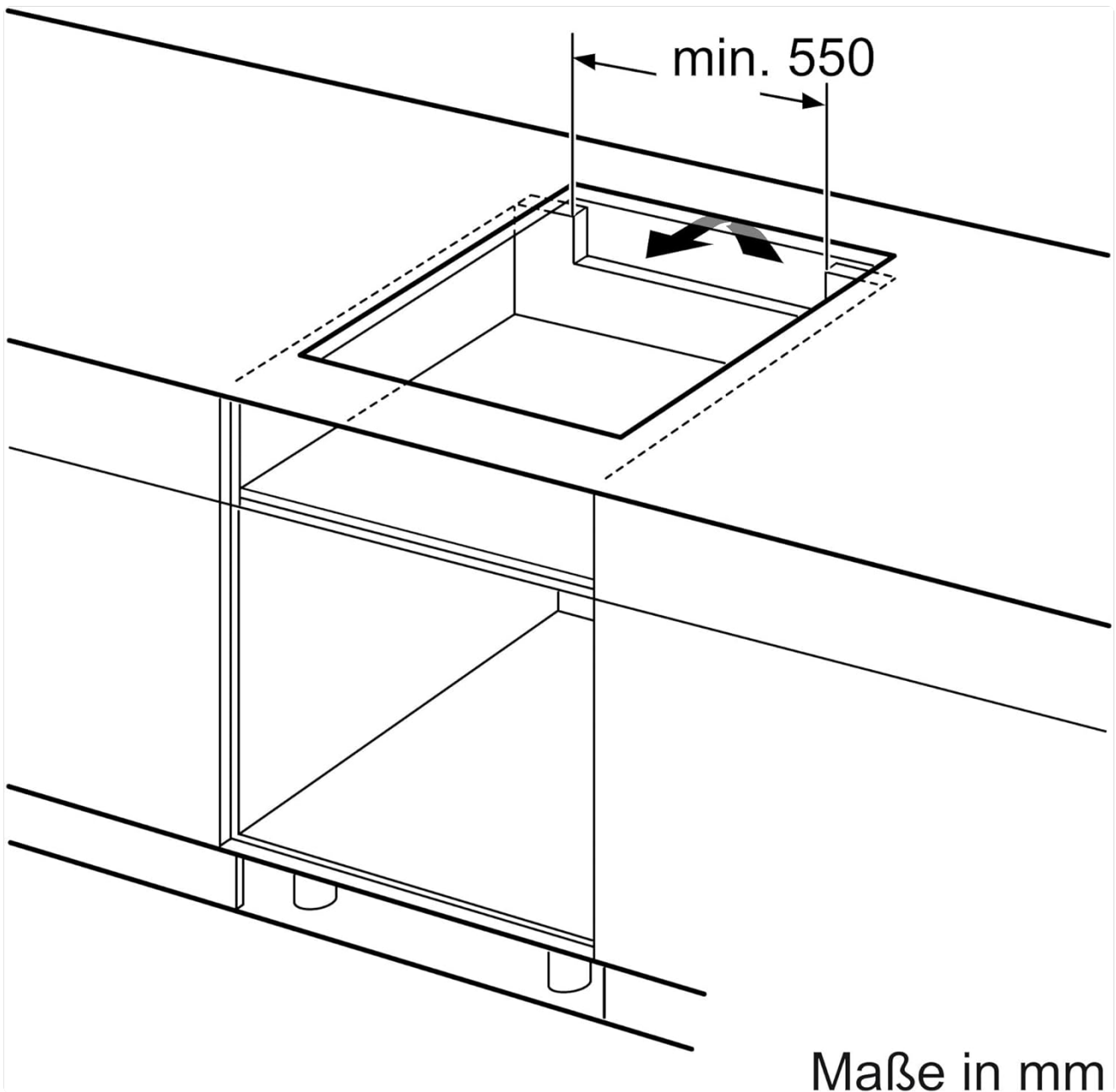


Figure 4.1: Cooktop Installation Dimensions

This diagram illustrates the precise measurements required for the countertop cutout, including width, depth, and minimum distances to surrounding surfaces and appliances. Refer to labels A-F for specific values.

## 4.2. Ventilation Requirements

Adequate ventilation is crucial for the proper functioning and longevity of your induction cooktop. Ensure sufficient airflow around the appliance.

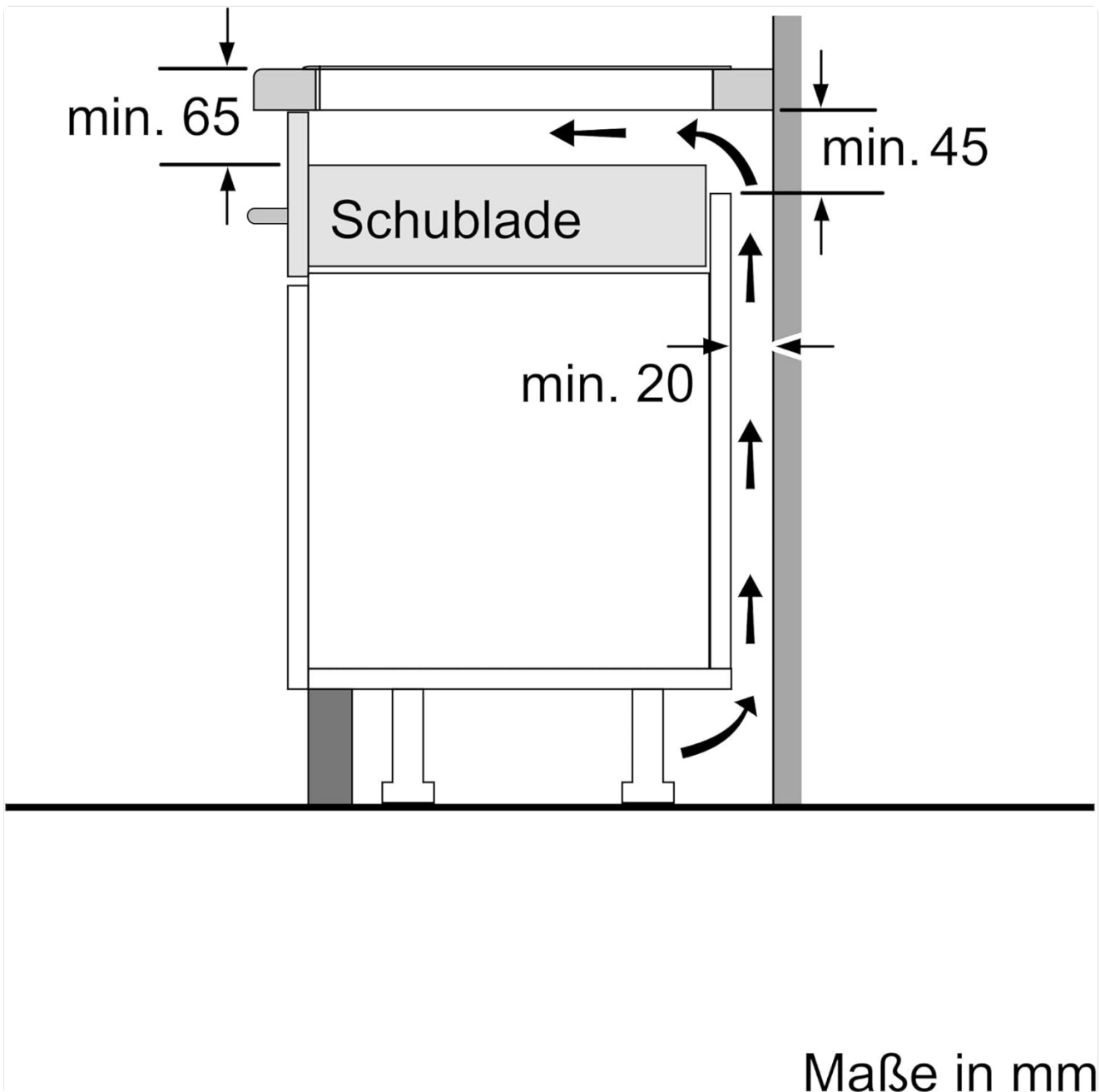
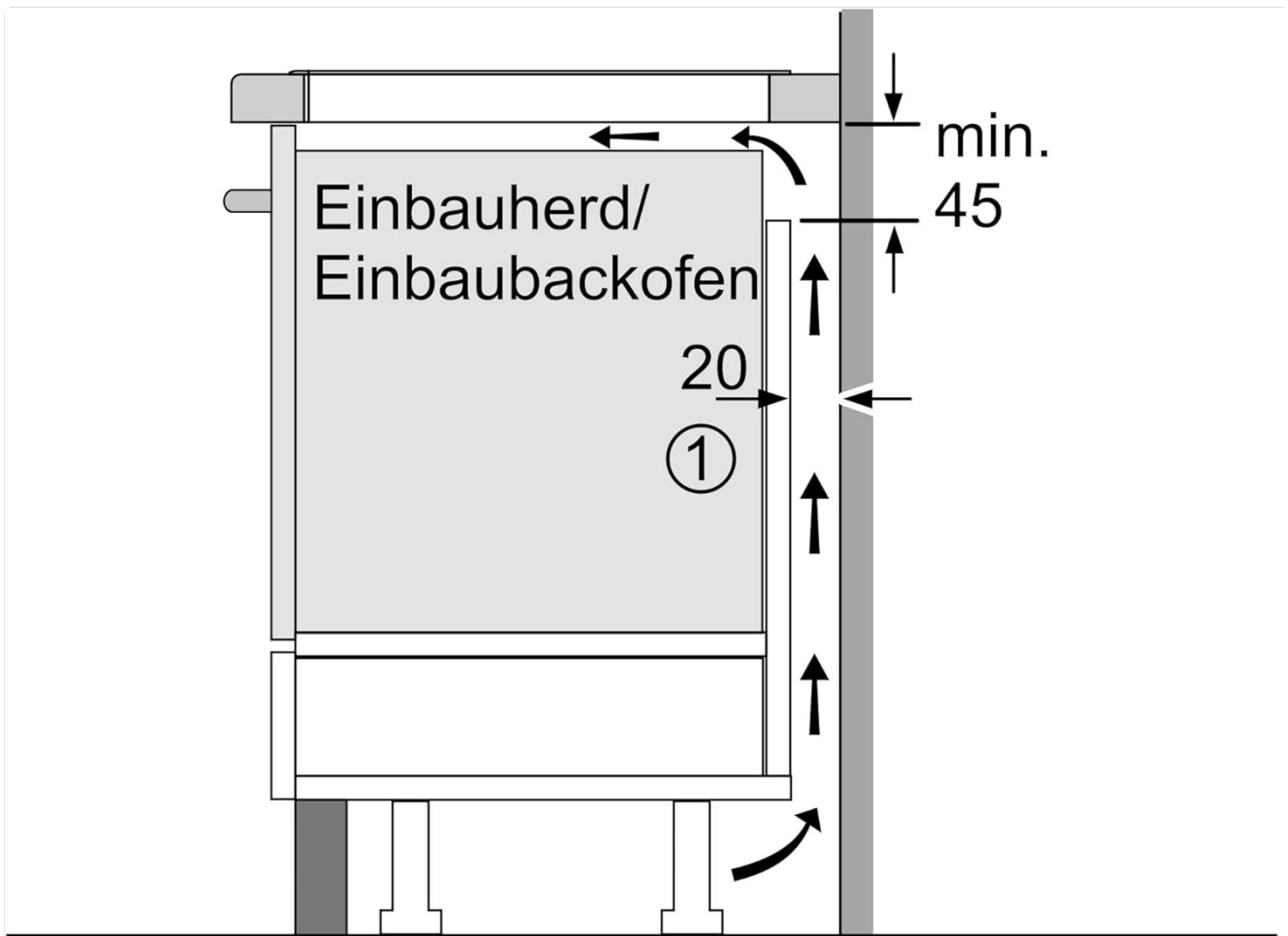


Figure 4.2: Minimum Clearances with Drawer

This image shows the required minimum clearances (e.g., min. 65mm from top of drawer to cooktop underside, min. 45mm from back wall) when installing the cooktop above a drawer, ensuring proper air circulation.



①  
 Lüftungsspalt muß  
 vorgesehen werden.

Maße in mm

Figure 4.3: Minimum Clearances with Built-in Oven

This diagram illustrates the necessary ventilation gap (min. 45mm from back wall, 20mm from oven top to cooktop underside) when installing the cooktop above a built-in oven, crucial for heat dissipation.

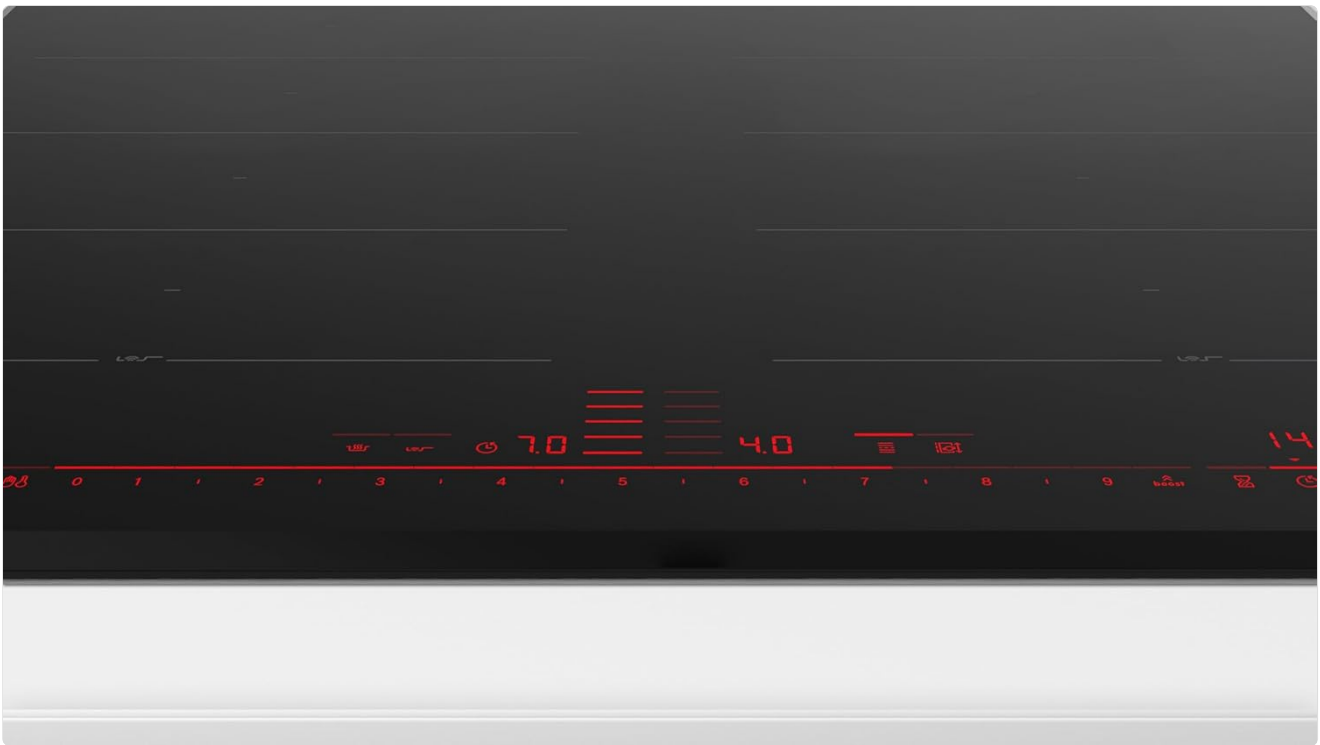


Figure 4.4: Minimum Rear Clearance

This image highlights the minimum required clearance of 550mm from the back edge of the cooktop cutout to the rear wall, ensuring adequate space for connections and ventilation.

### 4.3. Electrical Connection

The cooktop comes with a 110 cm connection cable. Ensure the electrical connection meets the specified voltage and power requirements (220 Volts, 7400 Watts).

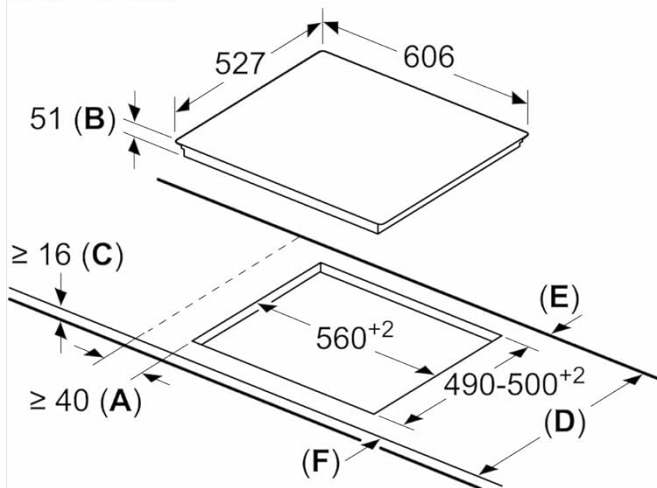
## 5. OPERATING INSTRUCTIONS

The Bosch PXX675DC1E features intuitive touch controls for easy operation.

### 5.1. DirectSelect Premium Control

The DirectSelect Premium panel allows you to select cooking zones and set power levels with a simple touch. There are 17 power levels available for precise heat control.

Maße in mm



- A:** Mindestabstand von Kochplatten-ausschnitt zur Wand.  
**B:** Einbautiefe  
**C:** Der Abstand zwischen der Arbeitsplattenfläche und der Oberseite der Backofenfront muss 30 mm betragen. Siehe Platzbedarf für den Backofen.

Die Arbeitsplatte, in welche die Kochplatte eingebaut wird, muss Lasten von ca. 60 kg standhalten; ggf. muss ein geeigneter Unterbau verwendet werden.

D	E	F
585-600	50	≥ 35
> 600	≥ 50	≥ 50

Figure 5.1: DirectSelect Premium Control Panel

This image provides a detailed view of the touch-sensitive control panel, showing the numerical power level indicators and various function icons for each cooking zone.

## 5.2. FlexInduction Zones

The FlexInduction feature allows you to combine two individual cooking zones into one large zone, perfect for larger pots, pans, or roasting dishes. To activate, simply touch the FlexInduction symbol on the control panel.

## 5.3. PowerMove Plus

PowerMove Plus divides the FlexInduction zone into three preset heating areas: high heat at the front for boiling, medium heat in the middle for simmering, and low heat at the back for keeping food warm. Simply move your cookware between these areas to adjust the heat without changing settings on the control panel.

## 5.4. PerfectFry Sensor

The PerfectFry sensor automatically monitors and maintains the temperature of the frying pan, ensuring optimal frying results without burning. Select one of the five temperature settings, and the sensor will do the rest.

## 5.5. PowerBoost Function

For rapid heating, activate the PowerBoost function. This temporarily increases the power to a selected cooking zone, ideal for boiling water quickly.

## 6. MAINTENANCE AND CLEANING

Regular cleaning and proper maintenance will ensure the longevity and pristine appearance of your Bosch Induction Cooktop.

- **Daily Cleaning:** After each use, allow the cooktop to cool down. Wipe the glass ceramic surface with a damp cloth and a small amount of mild dish soap. Dry thoroughly with a soft, clean cloth to prevent water spots.
- **Stubborn Stains:** For burnt-on food or stubborn stains, use a specialized ceramic hob scraper. Hold the scraper at a shallow angle and gently scrape away the residue. Follow with a cleaning agent specifically designed for ceramic hobs.
- **GlassProtect Surface:** The GlassProtect surface is designed to be scratch-resistant. However, avoid

dragging rough-bottomed cookware across the surface and do not use abrasive cleaners or scouring pads, as these can damage the finish.

- **Control Panel:** Wipe the control panel with a soft, damp cloth. Ensure the panel is dry before operating the cooktop.

## 7. TROUBLESHOOTING

If you encounter issues with your cooktop, refer to the following common problems and solutions before contacting customer service.

Problem	Possible Cause	Solution
Cooktop does not turn on.	No power supply; Child lock activated.	Check circuit breaker; Deactivate child lock by pressing and holding the key symbol.
Cooking zone not heating.	Non-induction compatible cookware; Cookware not centered.	Use induction-compatible cookware (check with a magnet); Center the cookware on the zone.
Display shows an error code (e.g., 'E').	Specific malfunction.	Refer to the full error code list in the comprehensive manual (if available) or contact customer service. Try resetting the appliance by turning off the power at the circuit breaker for a few minutes.
Cooktop makes unusual noises.	Normal induction sounds (humming, buzzing); Cookware quality.	Light humming or buzzing is normal during induction. If sounds are excessively loud or unusual, ensure cookware is flat-bottomed and of good quality.
Cooktop turns off unexpectedly.	Overheating; Spillage on control panel; Power management activation.	Allow to cool; Clean and dry control panel; Reduce power settings if multiple zones are at maximum.

## 8. SPECIFICATIONS

Detailed technical specifications for the Bosch PXX675DC1E Induction Cooktop.

Feature	Specification
Brand	Bosch
Model Number	PXX675DC1E
Color	Serie 8 (Black)

Feature	Specification
Product Dimensions (H x W x D)	5.1 x 60 x 5.1 cm
Installation Dimensions (T x B x H)	61 x 53 x 6 cm
Power	7400 Watts
Voltage	220 Volts
Material	Glass Ceramic
Weight	10 Kilograms
Number of Heating Elements	4
Special Features	Adjustable Temperature, Digital Display, FlexInduction, PowerMove Plus, PerfectFry Sensor, PowerBoost, Child Lock

## 9. WARRANTY AND SUPPORT

Your Bosch Induction Cooktop comes with a manufacturer's warranty. Please refer to the warranty card included with your purchase for specific terms and conditions, including the warranty period and coverage details. For technical assistance, spare parts, or to schedule a service appointment, please contact Bosch customer support. You can find contact information on the Bosch official website or in your product registration documents. When contacting support, please have your model number (PXX675DC1E) and serial number ready. The serial number is typically located on a label on the underside of the cooktop.